



LED Shoe Box Light

FLSL01



www.ofled-lighting.en.alibaba.com

115-135
lm/W

- Light Efficacy 115-135lm/W
- Input Voltage:100-277Vac / 200-480Vac 50/60Hz
- 5 years warranty
- Option:Non-Dimming,
Dimming, DALI
Daylight Sensor

Products Optional



Daylight Sensor

Jiangsu Ofled Optoelectronics Technology Co.,Ltd

Factory address: No.9 Zhengfu Road Liangduo Town,Dongtai CityJiangsu Province,P.R. China.
Tel: +86 515 8555809

Shenzhen Office: 446, Huafeng Internet+Creative Garden, No.107 of Gonghe
Industrial Road, Xixiang Street, Bao'an District, Shenzhen, China.
Tel: +86 755 23777180

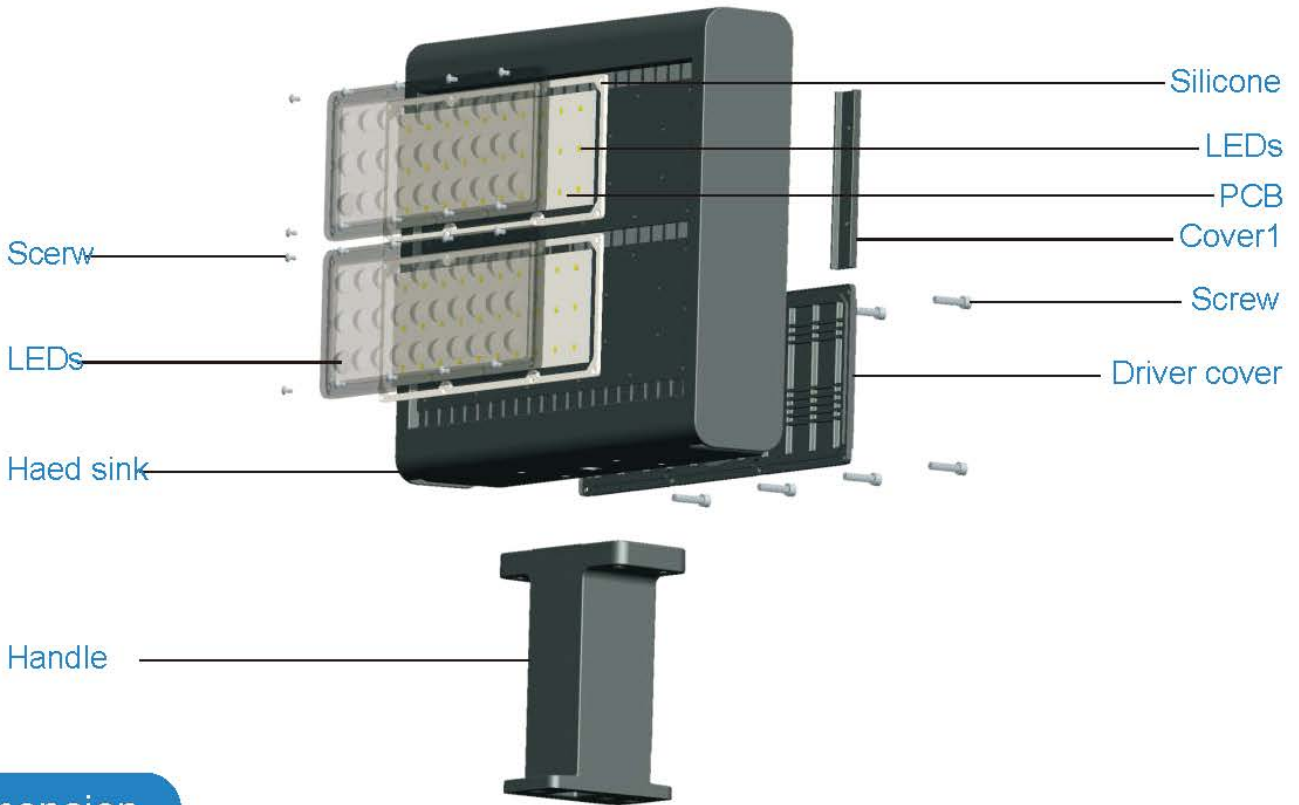
Email: sales@ofled-lighting.com Web: www.ofled-lighting.com www.ofled-lighting.en.alibaba.com



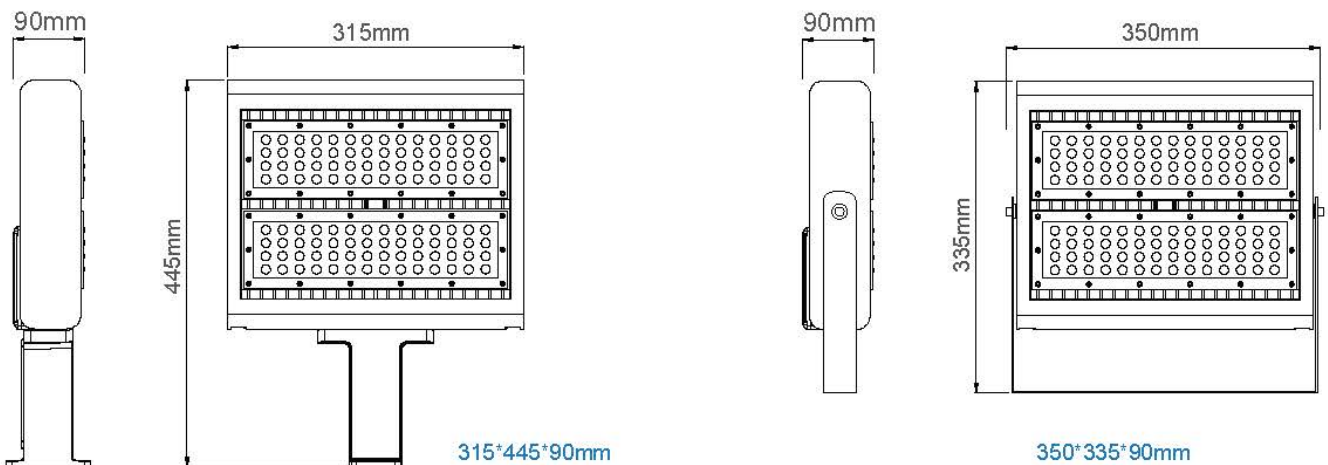
www.ofled-lighting.com

Specifications

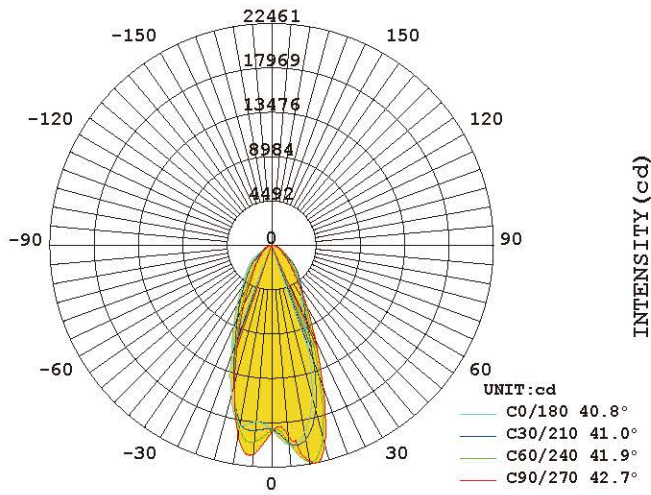
Item No.	OHD-FLSL01-100	OHD-FLSL01-150	OHD-FLSL01-180	OHD-FLSL01-200
Watt(W)	100W	150W	180W	200W
Product Size	315*445*90mm / 350*335*90mm			
Input	100-277Vac / 200-480Vac 50/60Hz			
Light Efficiency(lm/W)	120-135lm/W		120lm/W	115lm/W
CCT	2700K-6500K			
LED Type	3030			
Option	No / 0-10V / DALI / Daylight Sensor / Microwave			
Beam Angle	30° / 90° / 30°*70° / 70°*135 / 70°*150 / 120°			
PF	0.95			
CRI(Ra)	70+			
Material	Aluminum			
Working Temperature	-30℃~+50℃		-30℃~+45℃	
Protection Grade	IP65			
Warranty Years	5 Years			



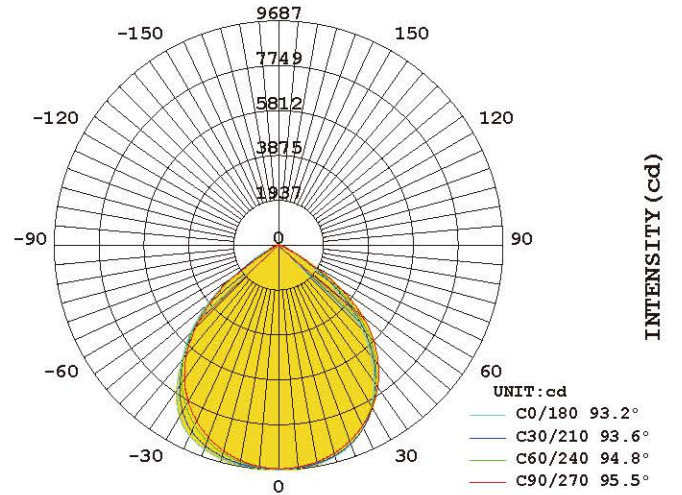
Dimension



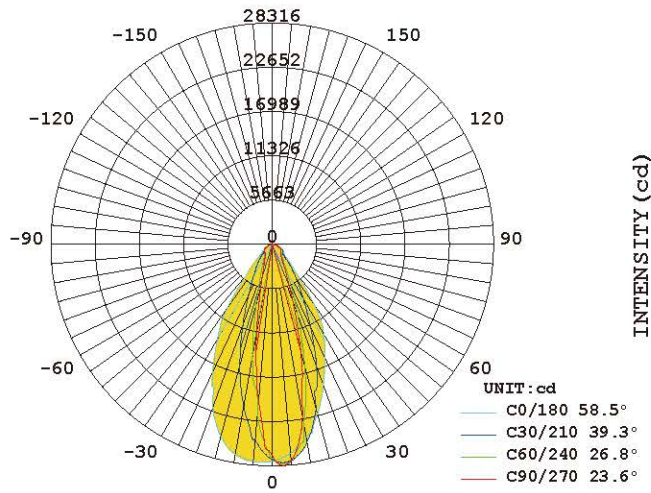
Distribute curve and illuminance distribute curve



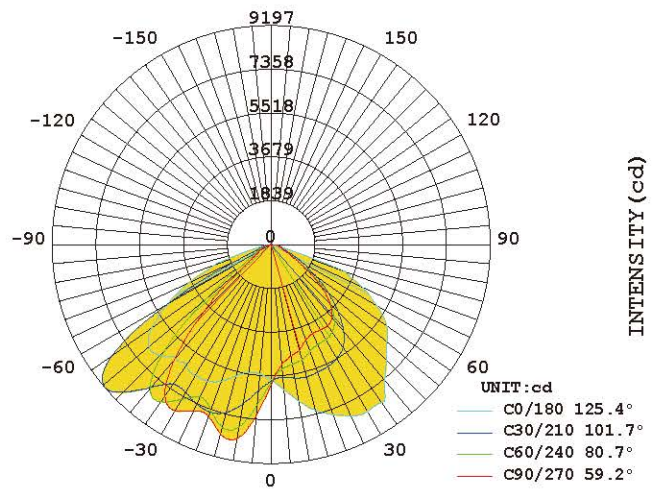
30°



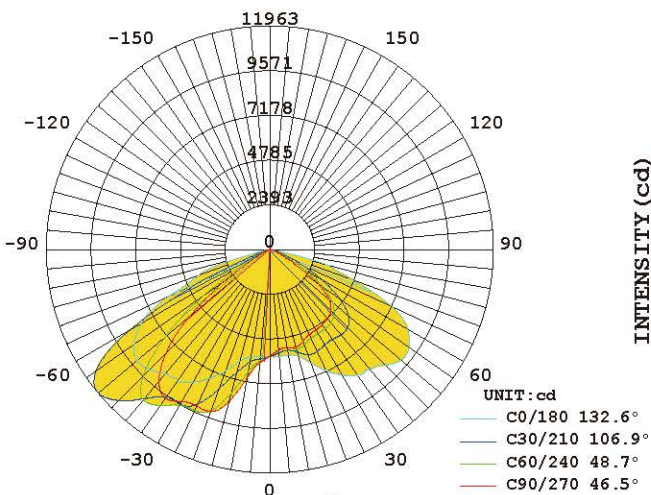
90°



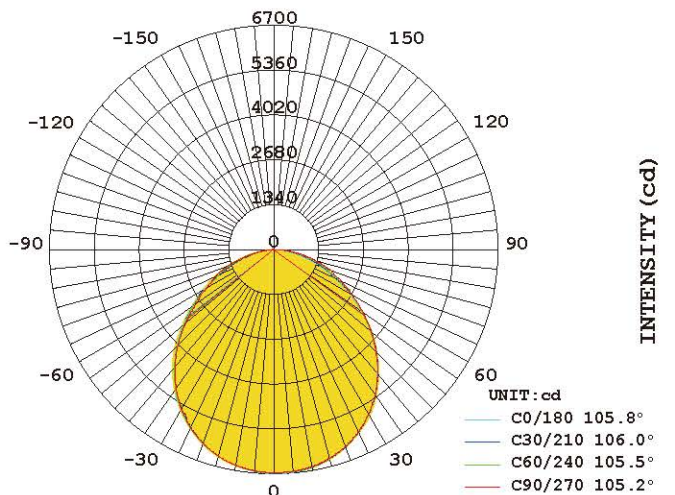
30°x70°



70°x135°



70°x150°



120°

Accessories

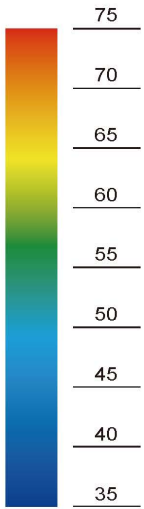


OHD-PFS-DS01
Daylight sensor

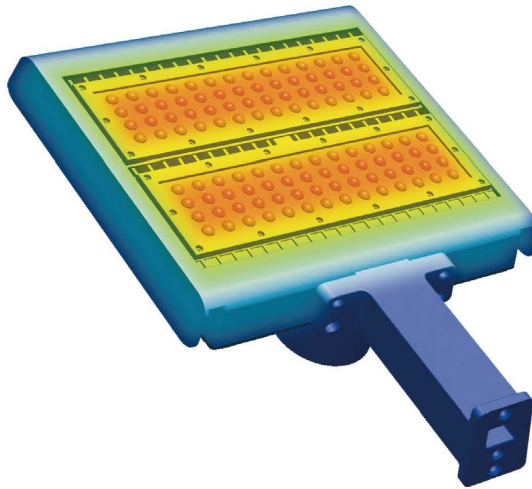


OHD-PFS-LPD02
Lightning protection device
10KA

Thermal distribution



Temperature (solid): [°C]



Installation guide



Flood light-
wall and ground
bracket-01



Flood light-
wall and ground
bracket-02



Street light
-wall bracket



Street light-rod
bracket-surface



Street light-
rod rotating
bracket-inside



Application

