



LED Canopy Light

CP02



www.ofled-lighting.en.alibaba.com

- High efficiency, available. **130lm/W**
- Integrated die-casting aluminum housing, elegant appearance
- Good heat dissipation, long lifespan
- Tempered glass, surface coating process, excellent corrosion-proof
- **IP65**



Jiangsu Ofled Optoelectronics Technology Co.,Ltd

Factory address: No.9 Zhengfu Road Liangduo Town,Dongtai CityJiangsu Province,P.R. China.
Tel: +86 515 85555809

Shenzhen Office: 446, Huafeng Internet+Creative Garden, No.107 of Gonghe Industrial Road, Xixiang Street, Bao'an District, Shenzhen, China.
Tel: +86 755 23777180

Email: sales@ofled-lighting.com Web: www.ofled-lighting.com www.ofled-lighting.en.alibaba.com

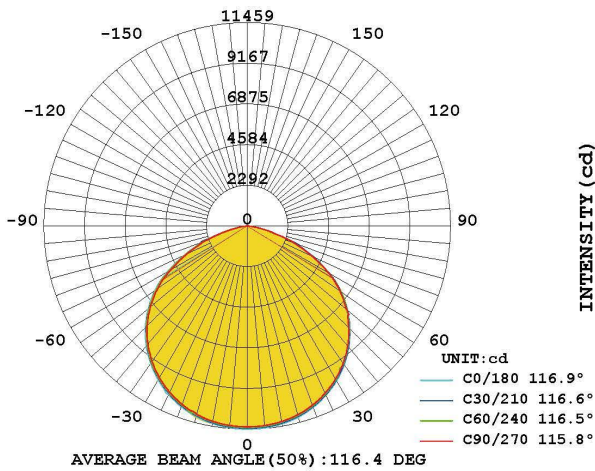
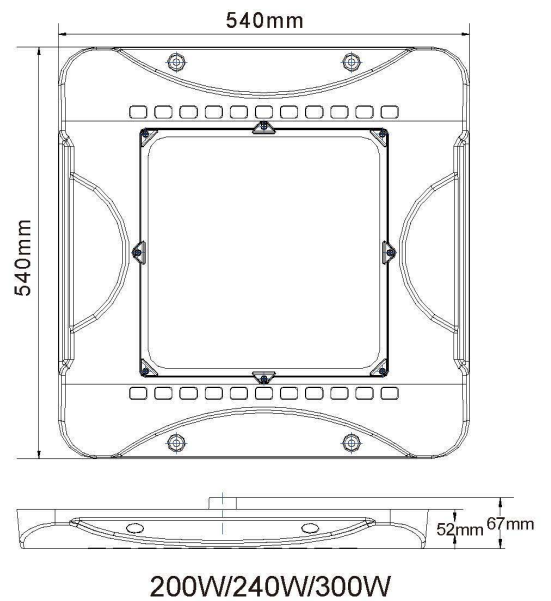
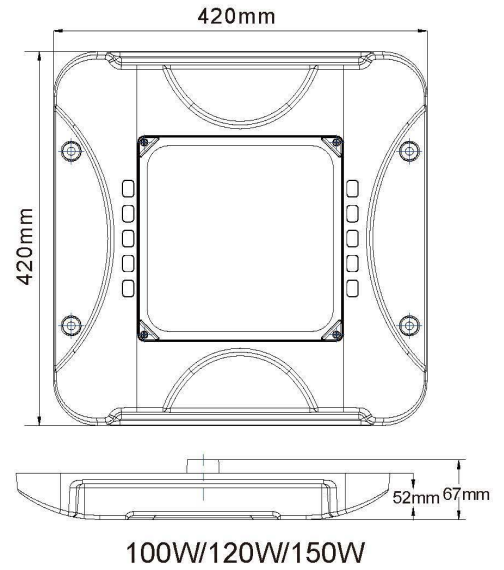


www.ofled-lighting.com

LED Canopy lights



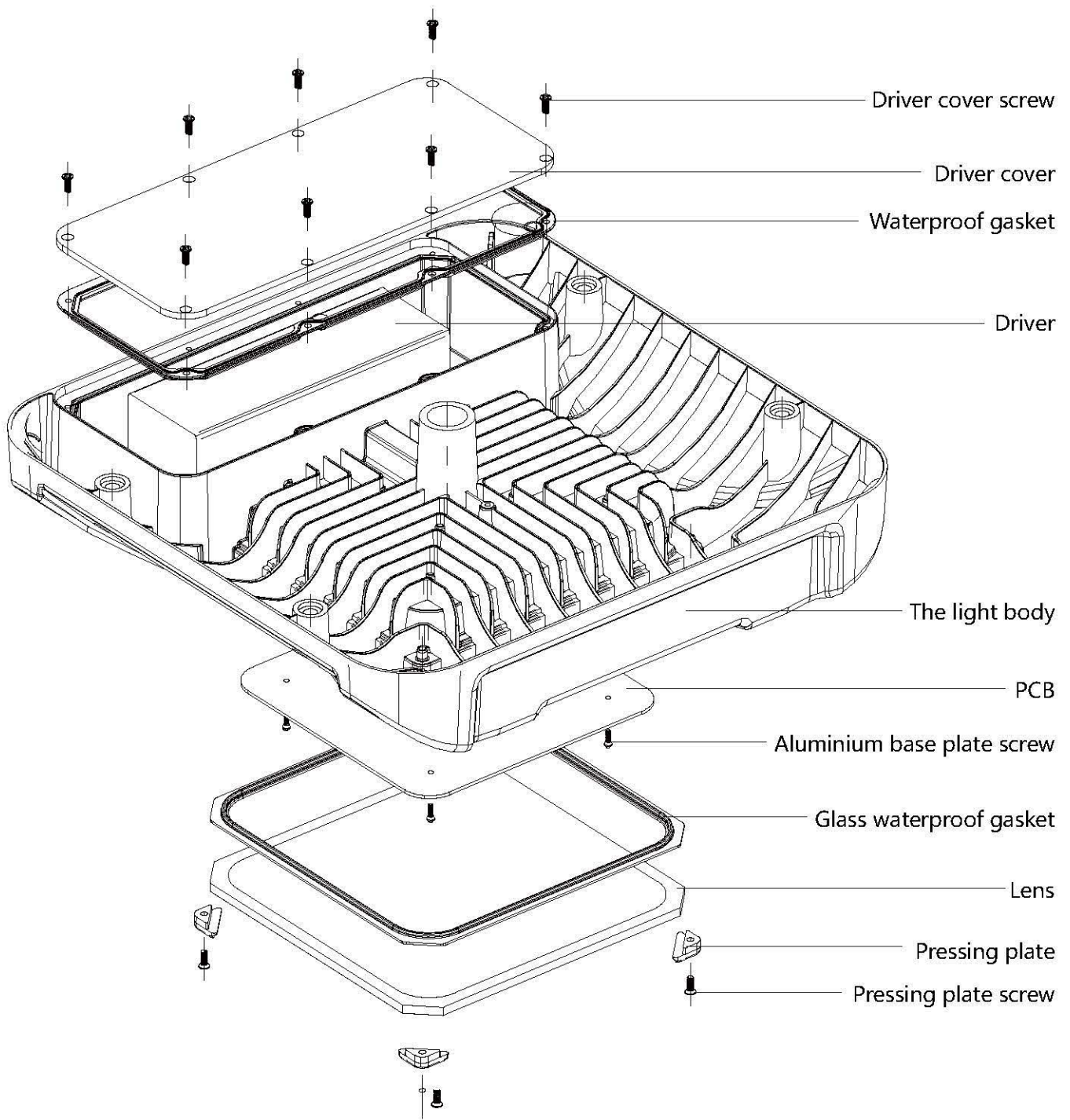
Dimension



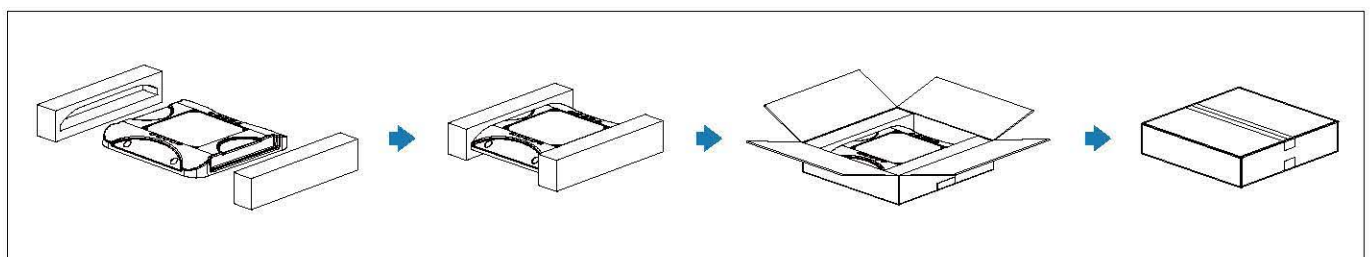
Specifications

Item No.	OHD-CPL03-100XX	OHD-CPL03-120XX	OHD-CPL03-150XX	OHD-CPL03-200XX	OHD-CPL03-240XX	OHD-CPL03-300XX
LampSize	420*420*67mm	420*420*67mm	420*420*67mm	540*540*67mm	540*540*67mm	540*540*67mm
Voltage	AC100V-240V AC100V-277V 50/60HZ					
Power	100W	120W	150W	200W	240W	300W
Color Temperature(CCT)	3000K/4000K/5000K/6500K					
Color Rendering Indes(CRI)	≥70					
LED Luminous Efficiency	130 lm/W					
Power Factor(PF)	>0.9					
IP Rank	IP65					
Beam Angle	110°					
Warranty	5 Years					
N.W.	4.80kg	4.85kg	4.94kg	7.25kg	7.37kg	7.50kg
G.W.	5.70kg	5.75kg	5.84kg	8.35kg	8.47kg	8.60kg

Product explosion diagram



Manner of packing



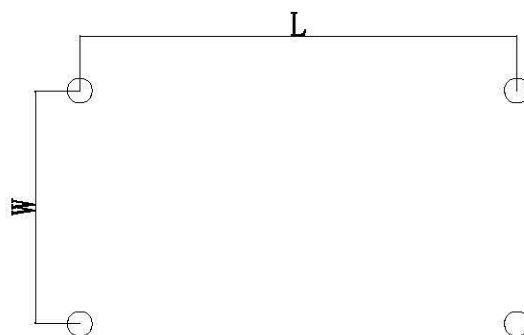
Normal Installation

1

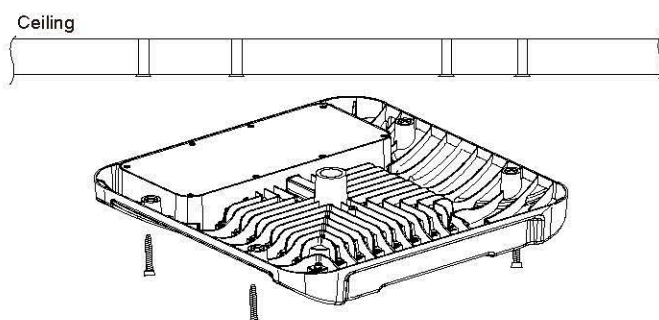
100-150w L=380mm W=196mm

200-240w L=500mm W=230mm

- Cut holes in the ceiling to install the expansion pipes shown in the drawing.

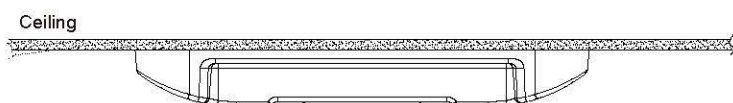


2



- Aim the lamp hole at the expansion pipe on the ceiling and fix it with self-tapping screws.

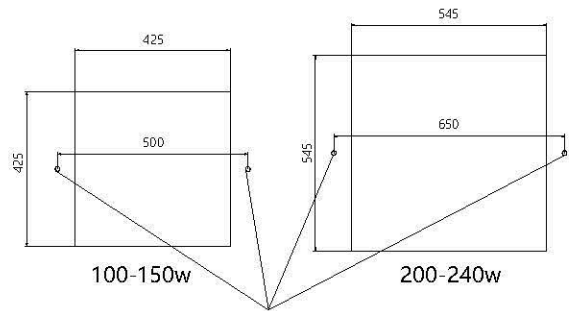
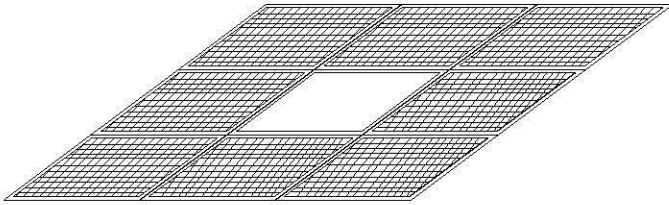
3



- installation complete

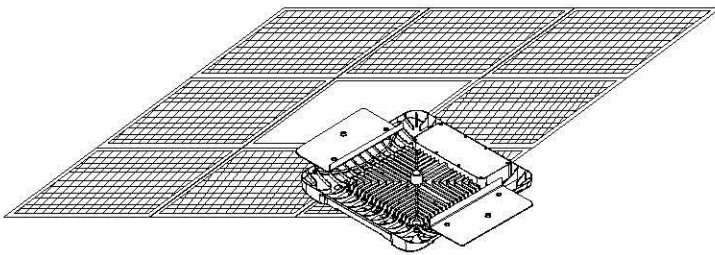
Embedded Installation

1



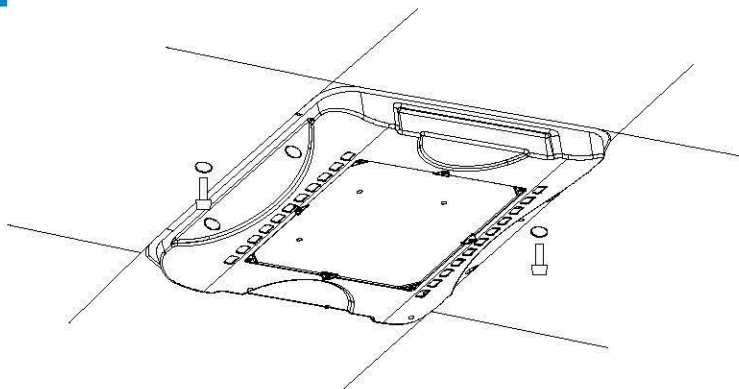
- Opening a hole in the ceiling

2



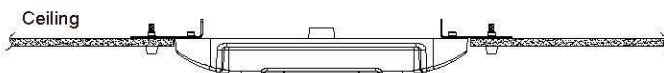
- The fitting inserted into the ceiling

3



- Screw the check nut of the bracket to secure the lamp bead

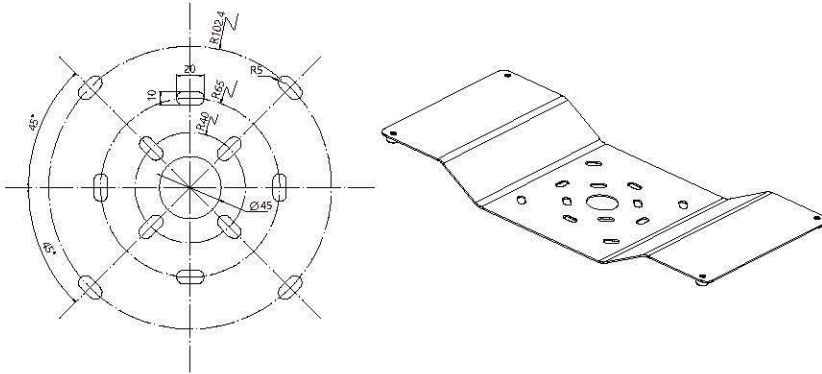
4



- installation complete

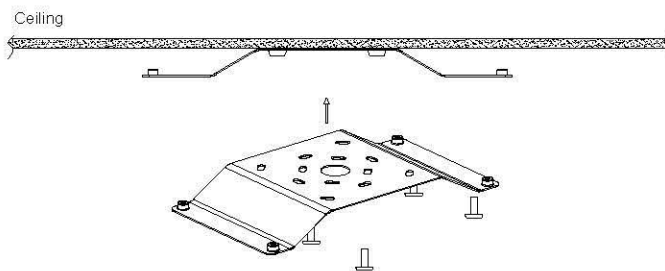
Surface Installation

1



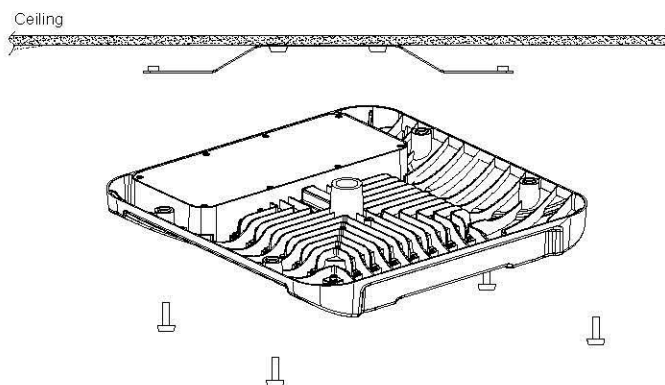
- Make holes in the ceiling with a diameter of 45mm for threading. Other mounting holes can be selected according to the drawing

2



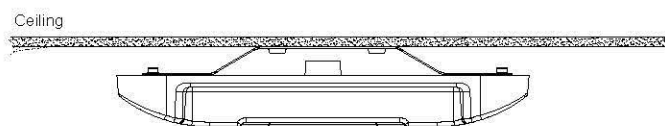
- Fix the suction bracket to the ceiling with screws

3



- Align the lamp with the mounting hole of the ceiling bracket and fix it with screws

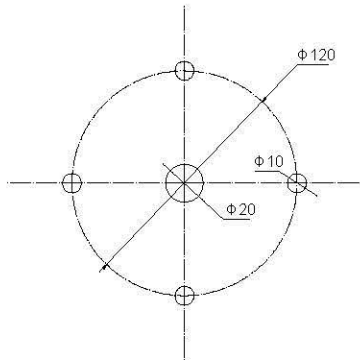
4



- installation complete

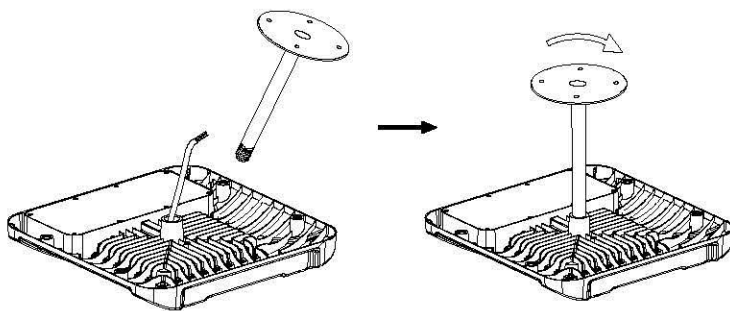
Rod-shaped bracket Installation

1



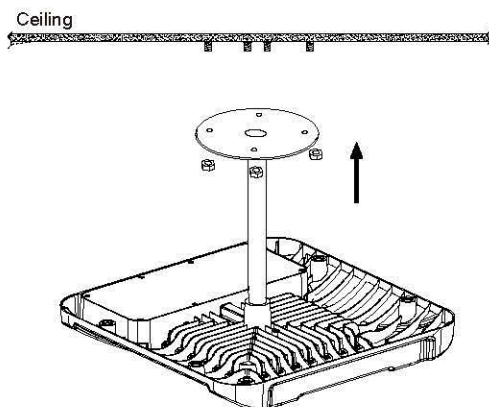
- Cut holes in the ceiling to install expansion bolts as shown in the drawing.

2



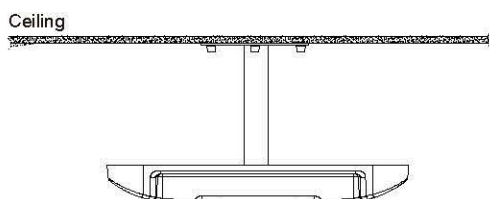
- Pass the input line through the rod-shaped bracket, rotate and tighten it, and the bracket is fixed on the lamp body.

3



- Insert the mounting plate of the lamp into the mounting bolt and fix it with screws.

4



- installation complete.