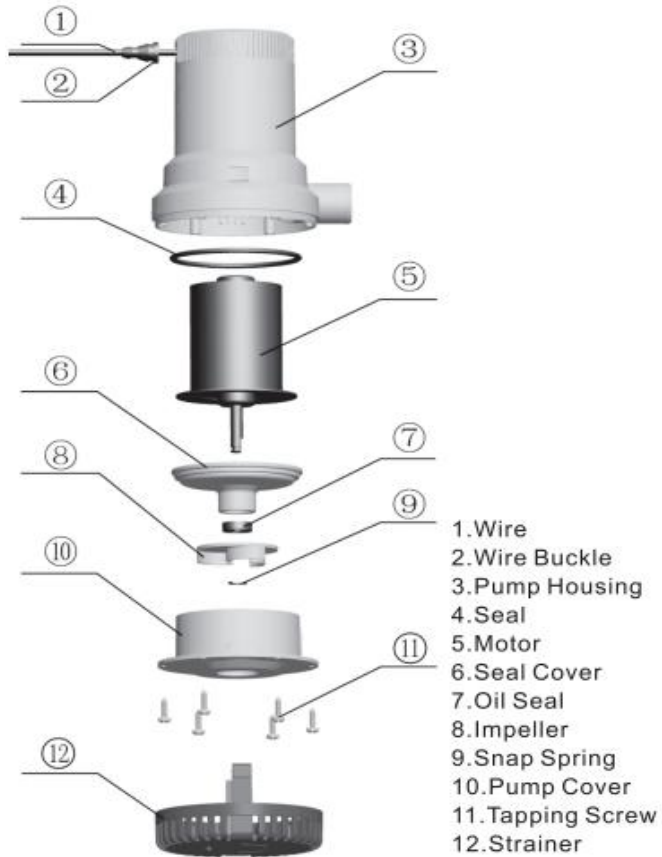
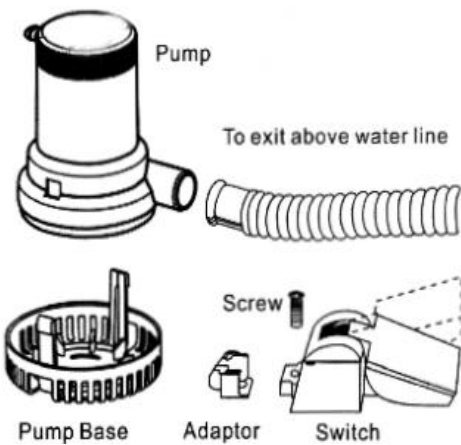


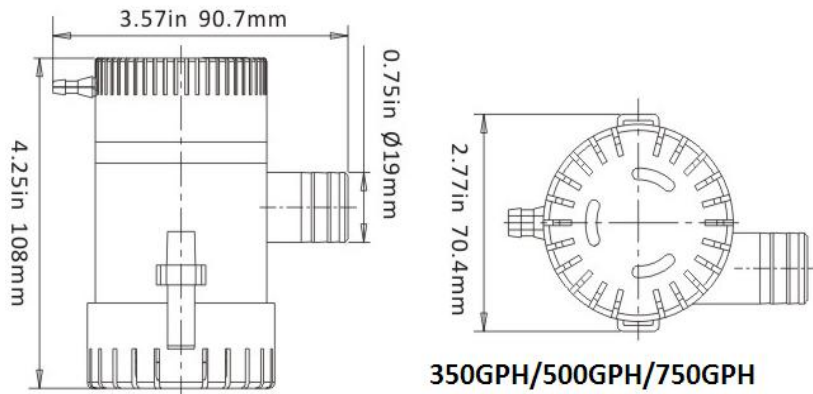
## SAILINGFLO Non-Automatic Bilge Submersible Pumps

### Features & Benefits

- \*Pump and switch are stand alone products
- \*Compact, efficient, long life motors
- \*New mercury free float switches
- \*Volt: 12 and 24 volt versions
- \*Easy clean snap-lock strainer bases
- \*Anti-Airlock protection
- \*Exclusive moisture tight seals
- \*Completely submersible
- \*Marine grade blocked wiring
- \*Silent and vibrationless operation



Model	Volt	Flow rate	Head	Current	Wire	Outlet Dia
HYBP1-G-350-01	12	350GPH	3M	1.8A	100cm	19mm/3/4"
HYBP2-G-350-01	24	350GPH	3M	1.0A	100cm	19mm/3/4"
HYBP1-G-500-01	12	500GPH	3M	2.2A	100cm	19mm/3/4"
HYBP2-G-500-01	24	500GPH	3M	1.2A	100cm	19mm/3/4"
HYBP1-G-750-01	12	750GPH	4M	2.5A	100cm	19mm/3/4"
HYBP2-G-750-01	24	750GPH	4M	1.5A	100cm	19mm/3/4"



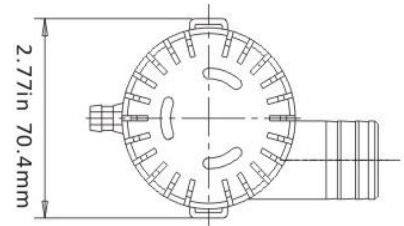
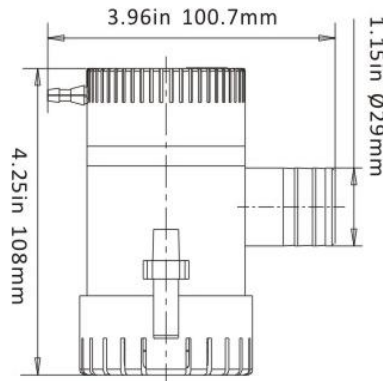
350GPH/500GPH/750GPH

### Dimension:

1PC: 10\*9\*11.8cm G.W:0.37KGS  
 1CTN(40PCS) 52\*38\*26.6cm G.W:16KGS



Model	Volt	Flow rate	Head	Current	Wire	Outlet Dia
HYBP1-G-1100-01	12	1100GPH	4M	3.0A	100cm	29mm/1-1/8"
HYBP2-G-1100-01	24	1100GPH	4M	1.8A	100cm	29mm/1-1/8"



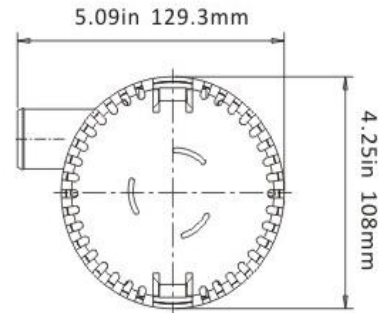
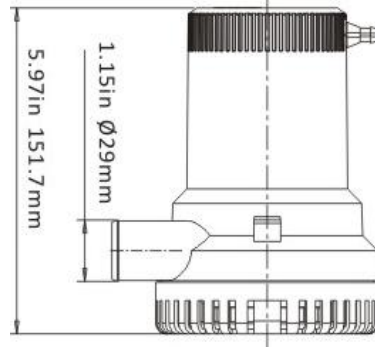
1100 GPH

**Dimension:**

1PC: 10\*9\*11.8cm G.W:0.37KGS  
 1CTN(40PCS) 52\*38\*26.6cm G.W:16KGS



Model	Volt	Flow rate	Head	Current	Wire	Outlet Dia
HYBP1-G-1500-01	12	1500GPH	5M	8.0A	100cm	29mm/1-1/8"
HYBP2-G-1500-01	24	1500GPH	5M	4.0A	100cm	29mm/1-1/8"
HYBP1-G-2000-01	12	2000GPH	6M	10.0A	100cm	29mm/1-1/8"
HYBP2-G-2000-01	24	2000GPH	6M	5.5A	100cm	29mm/1-1/8"



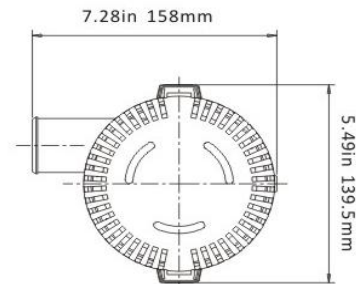
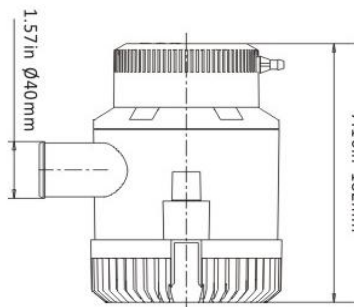
1500GPH/2000GPH

**Dimension:**

1PC: 13.8\*14\*18.2cm G.W:1.3KGS  
 1CTN(20PCS) 71\*29\*39cm G.W:25.3KGS



Model	Volt	Flow rate	Head	Current	Wire	Outlet Dia
HYBP1-G-3000-01	12	3000GPH	8M	14.0A	100cm	40mm/1-1/2"
HYBP2-G-3000-01	24	3000GPH	8M	7.0A	100cm	40mm/1-1/2"
HYBP1-G-3500-01	12	3500GPH	8M	16.0A	100cm	40mm/1-1/2"
HYBP2-G-3500-01	24	3500GPH	8M	8.0A	100cm	40mm/1-1/2"
HYBP1-G-3700-01	12	3700GPH	8M	16.0A	100cm	40mm/1-1/2"
HYBP2-G-3700-01	24	3700GPH	8M	10.0A	100cm	40mm/1-1/2"
HYBP1-G-4000-01	12	4000GPH	8M	18.0A	100cm	52mm/2"
HYBP2-G-4000-01	24	4000GPH	8M	9.0A	100cm	52mm/2"



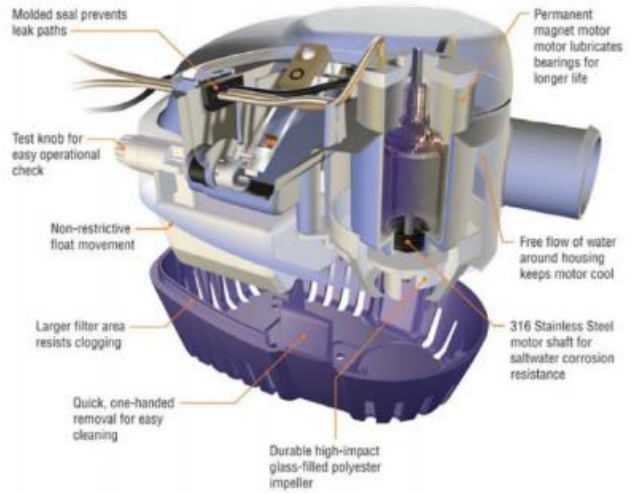
**Dimension:**

1PC: 16.8\*17\*21.5cm G.W:2.32KGS  
 1CTN(8PCS) 69.5\*35\*22.8cm G.W:19KGS

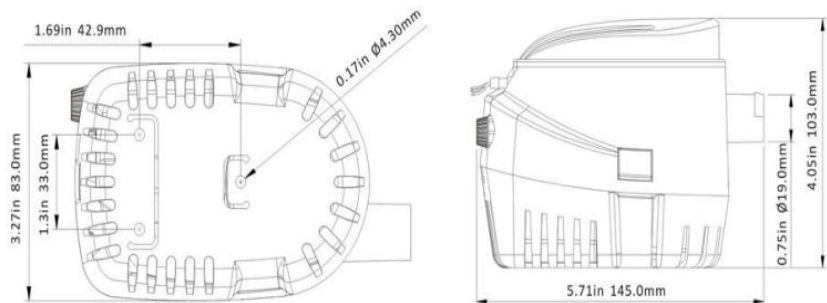
# SAILINGFLO Automatic Bilge Submersible Pumps

## Features & Benefits

- \*All-in-one pump & switch – No float switch required
- \*Heavy duty motors with stainless steel shafts and tough thermoplastic bodies.
- \*Snap-off strainer for easy cleaning
- \*Totally submersible and ignition protected.
- \*Compact pump for smaller vessels.
- \*Can be used with switch panel for manual override



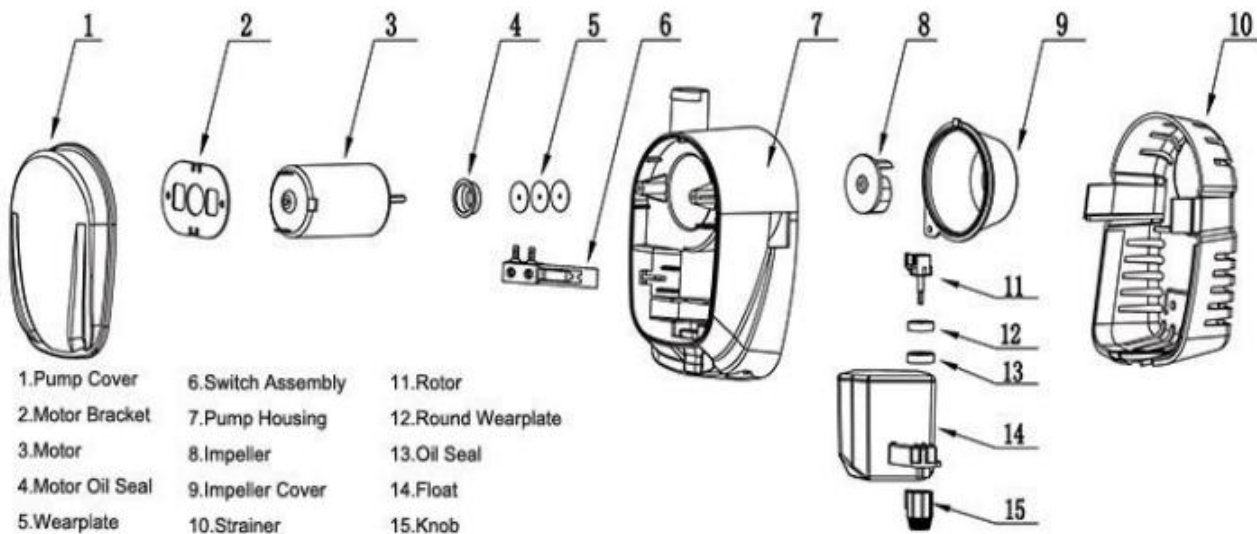
Model	Volt	Flow rate	Head	Current	Wire	Outlet Dia
HYBP1-G-600-02	12	600GPH	3.5M	2.5A	100cm	19mm/3/4"
HYBP2-G-600-02	24	600GPH	3.5M	1.5A	100cm	19mm/3/4"
HYBP1-G-750-02	12	750GPH	4.0M	3.0A	100cm	19mm/3/4"
HYBP2-G-750-02	24	750GPH	4.0M	1.6A	100cm	19mm/3/4"
HYBP1-G-1100-02	12	1100GPH	5.0M	3.8A	100cm	29mm/1-1/8"
HYBP2-G-1100-02	24	1100GPH	5.0M	2.0A	100cm	29mm/1-1/8"



## Dimension:

1PC: 16\*9\*12cm G.W:0.55KGS  
 1CTN(20PCS)48\*34\*26.6cm G.W:11.2KGS

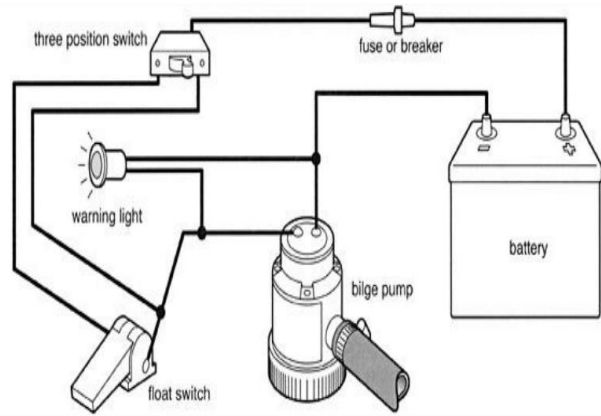
## DETAILED COMPOSITION



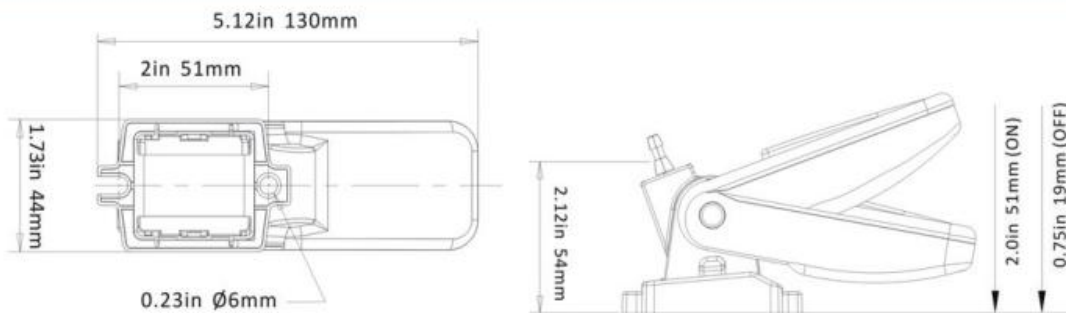
# SAILINGFLO FLOAT SWITCH

## Features & Benefits

- \*Suitable for 12V-32V bilge pumps, with a maximum of 20 Amps.
- \*Designed to automatically activate your bilge pump when water is present.
- \*Non-mercury, environmentally friendly switch
- \*Heavy duty nylon housing
- \*Turns pump on when water level reaches 2"(51mm)
- \*Turns pump off when water level reaches 3/4"(19mm)
- \*NOT to be used with AC voltage applications

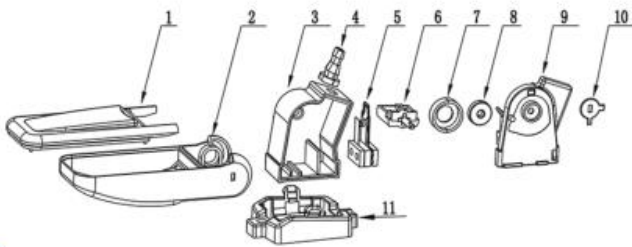


## TECHNICAL DATA / 技术数据



Model	Max Amps(12V)	Max Amps(24V)	Wire Lead(m)	Wire Gauge size	N.W/G.W
HYBS-20-01	20.0A	10.0A	3.0	18AWG	0.16/0.18kgs

## DETAILED COMPOSITION / 细节



# Manual Hand Bilge Pump for Kayak

## Features & Benefits

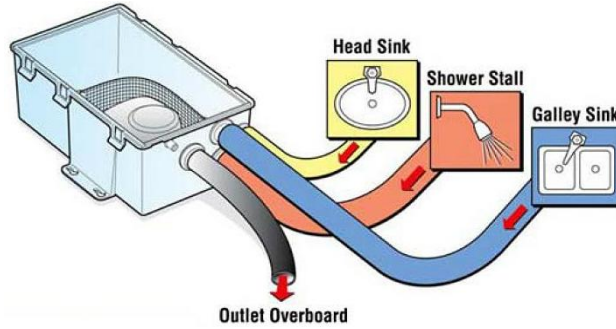
- Bilge pump makes it easy to remove unwanted water from any open boat.
- No hose necessary as the water will spray out over the side of your kayak or canoe.
- Pumps 8 gallons per minute for quick emptying of your boat.



## Specifications:

Material:	Nylon Plastic + EVA
Unextended Length:	42cm
Extended Length:	68cm
Diameter:	6.3cm/2.48"
IDrainage Volume:	approx.0.4L

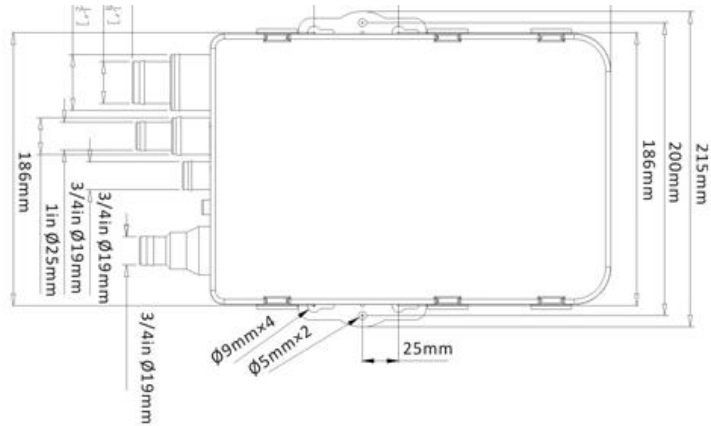
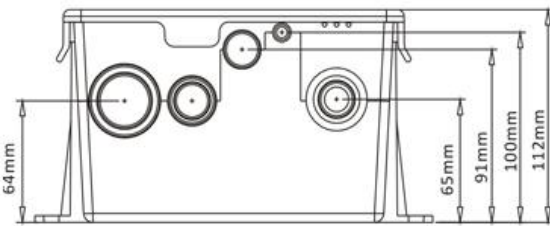
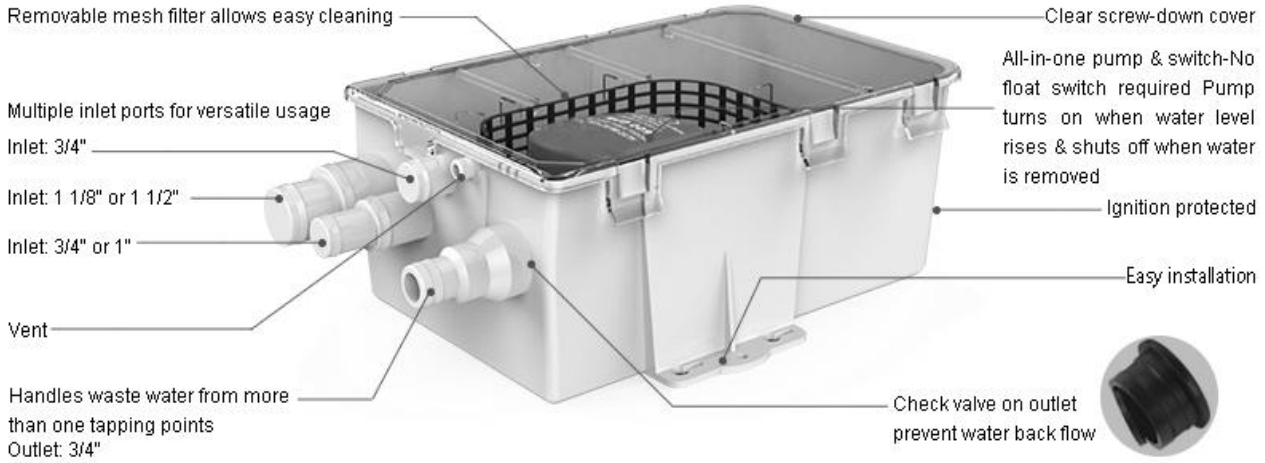
# SAILINGFLO Multi Port Shower Sump Pump



Model	Volt	Flow rate	Head	Current	Wire	Outlet Dia
HYBP1-G-600-03	12	600GPH	3.5M	2.5A	100cm	19mm/3/4"
HYBP2-G-600-03	24	600GPH	3.5M	1.5A	100cm	19mm/3/4"
HYBP1-G-750-03	12	750GPH	4.0M	3.0A	100cm	19mm/3/4"
HYBP2-G-750-03	24	750GPH	4.0M	1.6A	100cm	19mm/3/4"

## Dimension:

1PC: 22 x 12 x 34cm G.W:1.42KGS  
 1CTN(9pcs)60 x 38.8 x 42cm G.W:15.6KGS



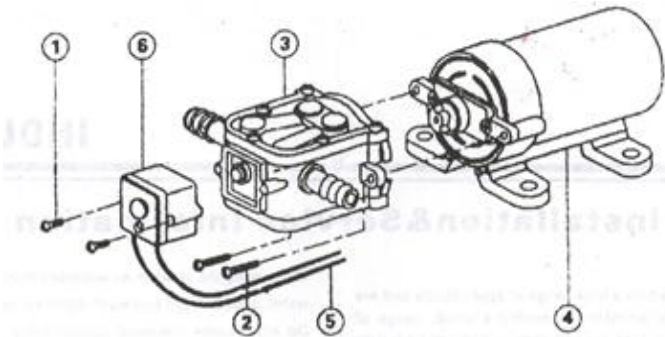
# XIAMEN USAIL INDUSTRY AND TRADE CO., LTD

## FLO Series 2 Chamber Micro DC Diaphragm Pumps



### Features:

- DC permanent Magnet and Intermittent Duty
- Built-in pressure switch automatically starts and stop
- Self-priming so pump can be located above water tank
- Also available with bypass model



- Pump design: 2 Chamber Diaphragm
- Port Size: 3/8"(9.5mm) Hose Barb
- Voltage: 12V ,24V dc
- Check Valve: EPDM or Vtion
- Liquid Temp: 140°F(60°C) Maximum
- Self-Priming 4feet(1.2M) suction Lift

Model	Volt	Max Flow Lpm(gpm)	Max Pressure Psi(Bar)	Amps (A)	Typical Application
FLO-2201	12v dc	2.0(0.5)	55(3.8)	1.8	Marine/RV
FLO-2202	12v dc	4.3(1.1)	35(2.4)	3.5	Water Treatment
FLO-2203	12v dc	2.6(0.7)	70(4.8)	2.1	Beverage/Food service
FLO-2203-1	12v dc	3.1(0.8)	70(4.8)	2.2	Agricultural Spraying
FLO-2202A	12v dc	4.0(1.1)	80(5.5)	2.6	General Industrial
FLO-2401	24v dc	2.0(0.5)	55(3.8)	0.9	Automotive
FLO-2402	24v dc	3.8(1.0)	35(2.4)	1.5	
FLO-2403	24v dc	2.6(0.7)	70(4.8)	1.0	
FLO-2402A	24v dc	4.0(1.1)	80(5.5)	1.3	

# XIAMEN USAIL INDUSTRY AND TRADE CO., LTD

## FL Series 4 Chamber High Flow Rate Diaphragm Pumps



**DC Model**



Pump design:	4 Chamber Diaphragm
Port Size:	3/4"(19mm) Quick attach
Voltage:	12/24vDc, 115/220vAC
Check Valve:	EPDM or Vtion
Liquid Temp:	140°F(60°C) Maximum
Self-Priming	6.5feet(2.0M) suction Lift
Standard	1pc 3/4 QA x 1/2 Straight Barb 1pc 3/4 QA x 1/2 Elbow barb 1pc 3/4 QA x 1/2 MNPT
Accessories:	1pc 3/4 QA x 1/2 barb filter

### AC Model

#### Features:

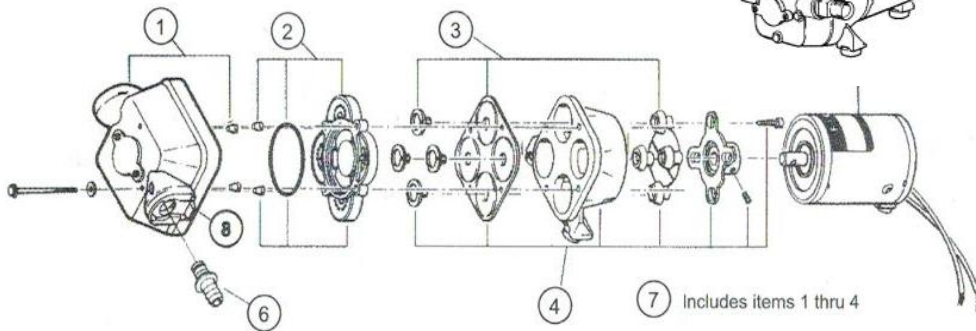
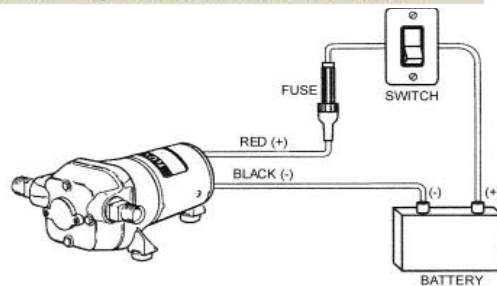
Permanent Magnet and Intermittent Duty

Built-in pressure switch automatically starts and stop

Self-priming so pump can be located above water tank

Built-in thermal Protector

Run Dry without damage



Model	Volt	Max Flow Lpm(gpm)	Max Pressure Psi(Bar)	Amps (A)
FL-30	12v dc	10.0(2.6)	17(1.17)	2.2
FL-31	24v dc	10.0(2.6)	17(1.17)	1.5
FL-35	12v dc	12.5(3.3)	35(2.41)	7.0
FL-34	24v dc	12.5(3.3)	35(2.41)	4.0
FL-40	12v dc	17.0(4.5)	40(2.76)	9.2
FL-60	12v dc	17.0(4.5)	60(4.13)	13.2
FL-44	24v dc	17.0(4.5)	40(2.76)	5.6
FL-33	115v ac	12.5(3.3)	35(2.41)	0.8
FL-32	220v ac	12.5(3.3)	35(2.41)	0.4
FL-41	115v ac	17.0(4.5)	40(2.76)	1.5
FL-43	220v ac	17.0(4.5)	40(2.76)	0.8

### Typical Application

- Marine/RV
- Water Treatment
- Beverage/Food service
- Agricultural Irrigation
- General Industrial
- Automotive

# XIAMEN USAIL INDUSTRY AND TRADE CO., LTD

## DP Series 3 Chamber High Pressure Diaphragm Pumps

### DC Model



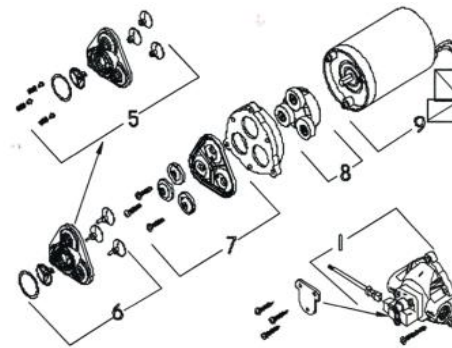
### AC Model



### Bypass Model



Pump design:	3 Chamber Diaphragm
Port Size:	3/8"(9.5mm) Female Thread
Connector:	3/8"Hose barb. 1/4" BSPT Thread
Voltage:	12V ,24V dc, 115V ,220V AC
Check Valve:	EPDM or Viton
Liquid Temp:	140°F(60°C) Maximum
Self-Priming	6.5feet(2.0M) suction Lift



### Features:

- Permanent Magnet and Intermittent Duty
- Built-in pressure switch automatically starts and stop
- Self-priming so pump can be located above water tank
- Built-in thermal Protector
- Run Dry without damage
- Demand or Bypass Model

Model	Volt	Max Flow Lpm(gpm)	Max Pressure Psi(Bar)	Amps (A)	Typical Application
DP-60	12v dc	4.6(1.2)	60(4.1)	7.0	Marine/RV
DP-60B	24v dc	4.6(1.2)	60(4.1)	4.0	Water Treatment
DP-80	12v dc	5.5(1.5)	80(5.5)	8.0	Beverage/Food service
DP-100	12v dc	5.5(1.5)	100(7.0)	9.0	Agricultural Irrigation
DP-120	12v dc	5.5(1.5)	120(8.3)	9.5	General Industrial
DP-120B	24v dc	5.5(1.5)	120(8.3)	4.5	Automotive
DP-160	12v dc	5.5(1.5)	160(11.0)	10.5	
DP-160B	24v dc	5.5(1.5)	160(11.0)	4.2	
DP-100M	220v ac	5.5(1.5)	100(7.0)	0.6	
DP-120M	220v ac	5.5(1.5)	120(8.3)	0.5	
DP-160M	220v ac	5.5(1.5)	160(11.0)	0.6	
DP-160S	115v ac	5.5(1.5)	160(11.0)	1.0	



# XIAMEN USAIL INDUSTRY AND TRADE CO., LTD

## FL-30 Series 2 Chamber High Pressure Diaphragm Pumps

3/8" Hose barb

1/2" BSPT Thread



### Features:

- Permanent Magnet and Intermittent Duty
- Built-in pressure switch automatically starts and stop
- Self-priming so pump can be located above water tank
- Run Dry without damage
- Demand and Bypass Model

Pump design:	2 Chamber Diaphragm
Port Size:	3/8"(9.5mm) Hose Barb
Voltage:	12V ,24V dc
Check Valve:	EPDM or Vtion
Liquid Temp:	140°F(60°C) Maximum
Self-Priming	4.8feet(1.5M) suction Lift

Model	Volt	Max Flow Lpm(gpm)	Max Pressure Psi(Bar)	Amps (A)
FL-3202	12v dc	5.1(1.34)	80(5.5)	4.8
FL-3402	24v dc	5.1(1.34)	80(5.5)	2.8
FL-3203	12v dc	5.1(1.34)	100(7.0)	5.0
FL-3403	24v dc	5.1(1.34)	100(7.0)	3.0
FL-3206	12v dc	6.0(1.58)	60(4.1)	6.0

## FL-5 Series 5 Chamber High Volume Diaphragm Pumps

Pump design:	4 Chamber Diaphragm
Port Size:	3/4"(19mm) Quick attach
Voltage:	12/24vDc, 115/220vAC
Check Valve:	EPDM or Vtion
Liquid Temp:	140°F(60°C) Maximum
Self-Priming	6.5feet(2.0M) suction Lift
	1pc 3/4 QA x 1/2 Straight Barb
	1pc 3/4 QA x 1/2 Elbow barb
Standard	1pc 3/4 QA x 1/2 MNPT
Accessories:	1pc 3/4 QA x 1/2 barb filter



### Typical Application

- Marine/RV
- Water Treatment
- Beverage/Food service
- Agricultural Irrigation
- General Industrial
- Automotive

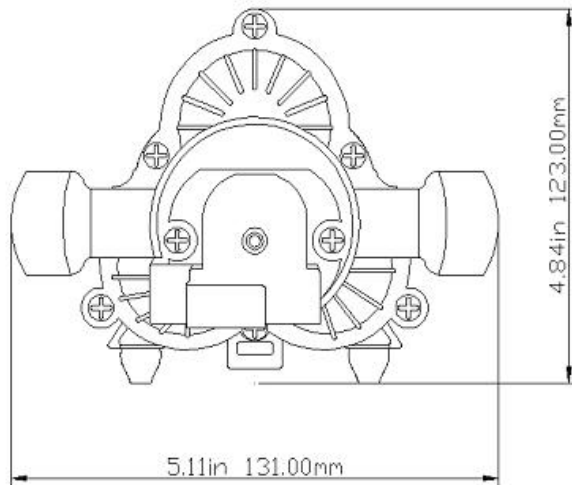
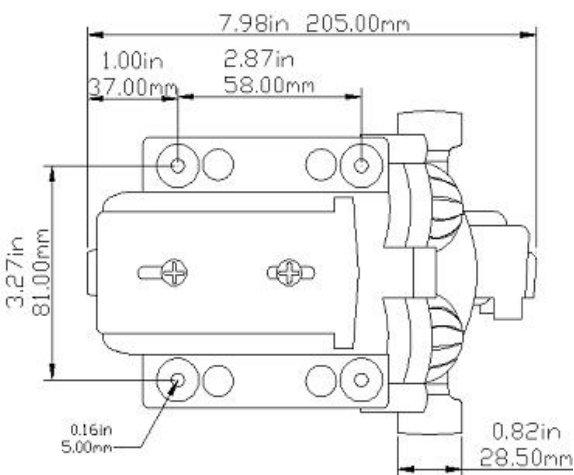
Model	Volt	Max Flow Lpm(gpm)	Max Pressure Psi(Bar)	Amps (A)
FL-55	12v dc	20(5.2)	55(3.8)	16.0
FL-200	12v dc	10(2.6)	200(13.8)	15.0

# XIAMEN USAIL INDUSTRY AND TRADE CO., LTD

## HY Series 3 Chamber High Flow Rate Diaphragm Pumps



Pump design:	3 Chamber Diaphragm
Port Size:	1/2" NPT Female Thread
Voltage:	12V ,24V dc
Check Valve:	EPDM or Vtion
Liquid Temp:	140°F(60°C) Maximum
Self-Priming	6.0feet(1.8M) suction Lift
Standard Accessories:	1pc 1/2" FNPT*1/2" MNPT Filter 2pcs FNPT*1/2" Barb



Model	Volt (v)	Flow Rate (LPM/GPM)	Pressure (PSI/bar)	Amp Draw(A)
HY-30451T	12	11.6/3.0	45/3.1	8
HY-30452T	24	11.6/3.0	45/3.1	4.5

Typical Application
Marine/RV
Water Treatment
Beverage/Food service
Agricultural Irrigation
General Industrial
Automotive

# XIAMEN USAIL INDUSTRY AND TRADE CO., LTD

## SAILINGFLO HY Series 4 Chamber 3.0GPM Diaphragm Pumps



Pump design:	4 Chamber Diaphragm
Port Size:	1/2" female thread
Voltage:	12/24Vdc
Check Valve:	EPDM or Viton
Liquid Temp:	140°F(60°C) Maximum
Self-Priming	6.5feet(2.0M) suction Lift
Standard	1pc 1/2 FNPT x 1/2" MNPT Filter
Accessories:	2pc FNPT*1/2" Barb

Model	Volt (v)	Flow Rate (LPM/GPM)	Pressure (PSI/bar)	Amp Draw(A)
HY-304551T	12	11.6/3.0	55/3.7	7.5
HY-304552T	24	11.6/3.0	55/3.7	4

### Typical Application

Marine/RV  
 Water Treatment  
 Beverage/Food service  
 Agricultural Irrigation  
 General Industrial  
 Automotive

## SAILINGFLO HY Series 5 Chamber 7GPM Diaphragm Pumps



Pump design:	5 Chamber Diaphragm
Port Size:	1/2" female thread
Voltage:	12/24Vdc
Check Valve:	EPDM or Viton
Liquid Temp:	140°F(60°C) Maximum
Self-Priming	6.5feet(2.0M) suction Lift
Standard	1pc 1/2 FNPT x 1/2" MNPT Filter
Accessories:	2pc FNPT*1/2" Barb

Model	Volt (v)	Flow Rate (LPM/GPM)	Pressure (PSI/bar)	Amp Draw(A)
HY-70601T	12	26.5/7.0	60/4.1	20
HY-70602T	24	26.5/7.0	60/4.1	10

### Typical Application

Marine/RV  
 Water Treatment  
 Beverage/Food service  
 Agricultural Irrigation  
 General Industrial  
 Automotive

# XIAMEN USAIL INDUSTRY AND TRADE CO., LTD

## HY Series 5 Chamber High Flow Rate Diaphragm Pumps



Pump design: 5 Chamber Diaphragm

Port Size: 1/2" NPT Female Thread

Voltage: 12V ,24V dc

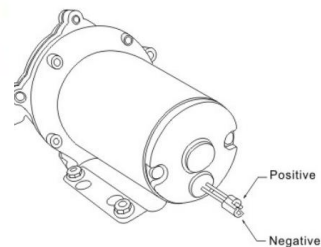
Check Valve: EPDM or Vtion

Liquid Temp: 140°F(60°C) Maximum

Self-Priming 6.0feet(2.0M) suction Lift

1pc 1/2" FNPT\*1/2" MNPT Filter

Standard Accessories: 2pcs FNPT\*1/2" Barb



Model	Volt (v)	Flow Rate (LPM/GPM)	Pressure (PSI/bar)	Amp Draw(A)
HY-30601T	12	11.5/3.0	60/4.1	10
HY-30602T	24	11.5/3.0	60/4.1	5.5
HY-40601T	12	15.0/4.0	60/4.1	13
HY-40602T	24	15.0/4.0	60/4.1	7
HY-55601T	12	20.8/5.5	60/4.1	17.5
HY-55602T	24	20.8/5.5	60/4.1	10
HY-55701T	12	20.8/5.5	70/4.8	17.5
HY-55702T	24	20.8/5.5	70/4.8	10.0

### Typical Application

- Marine/RV
- Water Treatment
- Beverage/Food service
- Agricultural Irrigation
- General Industrial
- Automotive

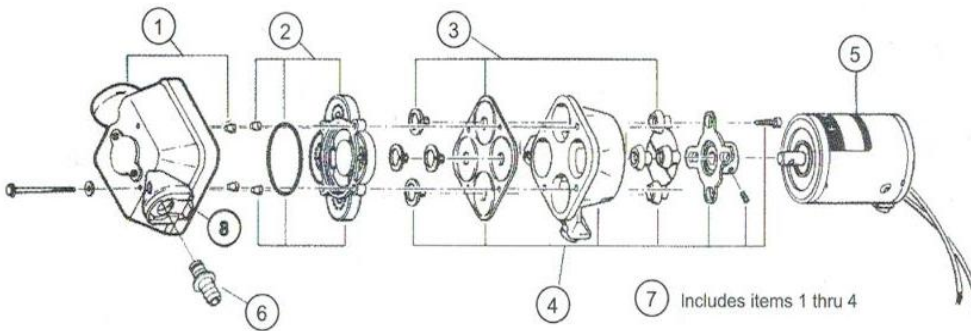
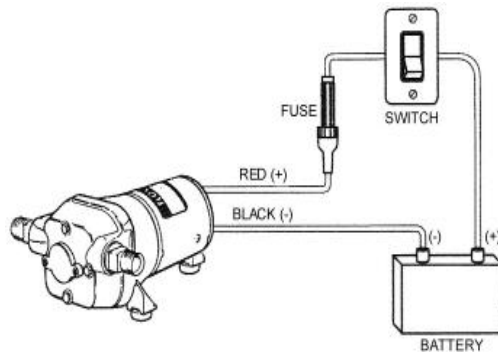
# XIAMEN USAIL INDUSTRY AND TRADE CO., LTD

## Automatic Variable Speed Motor Driven Pumps



### Features:

- Controls pressure by changing motor speed
- Operate on 12v dc or 24v dc automatically
- Self-priming so pump can be located above water tank
- Variable speed control, Solid state pressure sensor
- Built-in check valve, Thermally Protected
- Run Dry without damage



Model	Volt	Max Flow Lpm(gpm)	Max Pressure Psi(Bar)	Amps (A)	Typical Application
FL-35N	12-24v	12.5(3.3)	35(2.41)	8.0	Marine/RV
FL-40N	12-24v	17.0(4.5)	40(2.76)	12.0	Water Treatment
					Beverage/Food service
					Agricultural Irrigation
					General Industrial
					Automotive

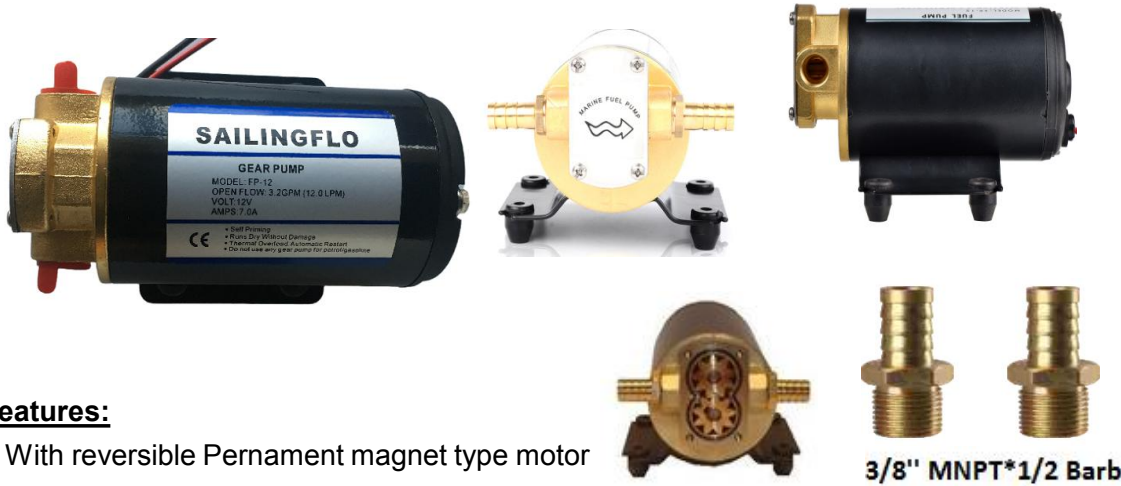
# XIAMEN USAIL INDUSTRY AND TRADE CO., LTD

## Gear Pumps

### Application:

Diesel, Lubricant, Viscous Liquids

Be able to use for water and machinery fuel except gasoline.



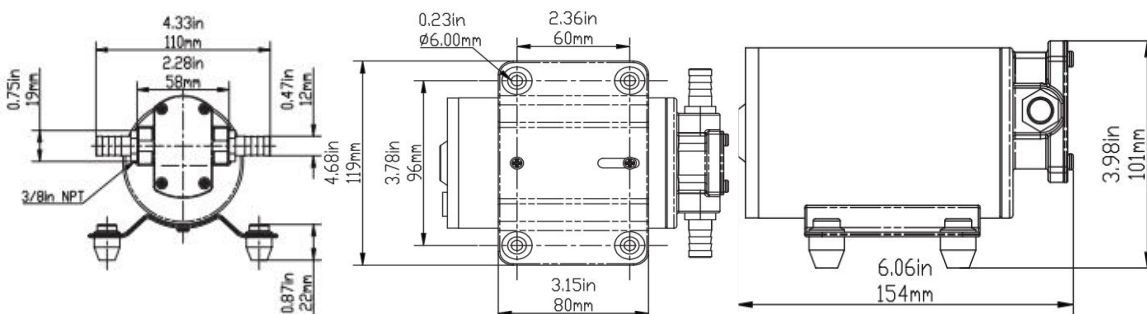
### Features:

- With reversible Permanent magnet type motor
- Rugged Bronze Body and stainless steel Shaft
- Self-priming gear electric pumps suitable for lubricants and viscous liquids
- Pumps are built in for intermittent
- Can be mount on any position



### Technical Data:

Model	Volt	Flow rate	Max Lift	Amps(A)	Max Draw(A)	Packing size(mm)	N.W/G.W(kgs)
FP-12	12Vdc	12LPM	3M	7A	10A	215*135*110	2.48/2.68
FP-24	24Vdc	12PLM	3M	4A	6A	215*135*110	2.45/2.68



# XIAMEN USAIL INDUSTRY AND TRADE CO., LTD

## Impeller Pumps

Engine cooling pump/ bilge pump/ Deck washdown pump

### Mainly Application:

Used in marine to drain water on deck and wash deck

### Fratures:

- Easy installation
- Bronze body and flexible impeller
- High flow and excellent suction
- Bilge debris presents no problem to this bronze bodied, flexible impeller design



### Remind:

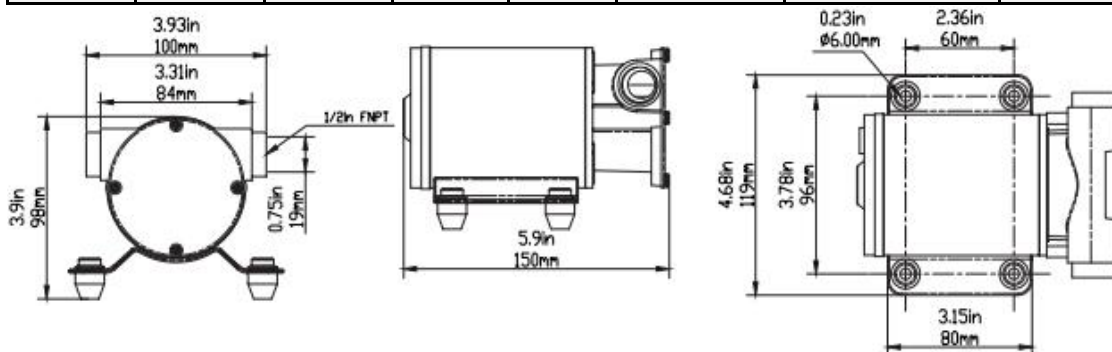
- Should be installed in a dry and ventilated position
- Must not run dry, it is better to work with a bilge control panel to avoid running dry

### Specifications:

Body Materials	Bronze
Impeller	NBR Rubber
Seal	Lip Type
Ports	3/4" Female Thread (FNPT)
Voltage	12V/24 DC
Motor	Permanent Magnet Type Fully Enclosed Stainless Steel, High quality seamless design
Self-Priming	3.0m vertical lift
Pressure	Can generate pressures up to 2 bar(30psi)

### Technical Data:

Model	Volt	Flow rate	Max Lift	Amps(A)	Max Draw(A)	Packing size(mm)	N.W/G.W(kgs)
YM-23-12	12Vdc	23LPM	3M	8.0A	10.0A	215*135*110	2.38/2.58
YM-23-24	24Vdc	23PLM	3M	5.0A	7.0A	215*135*110	2.35/2.58



# XIAMEN USAIL INDUSTRY AND TRADE CO., LTD

## 12/24v DC Sewage Pumps

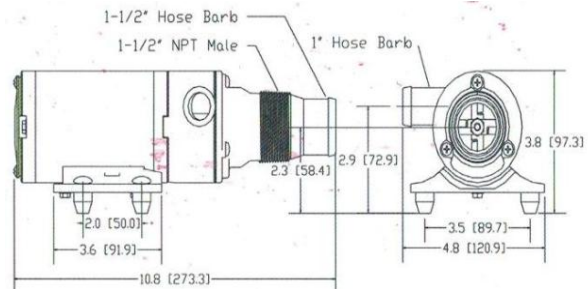
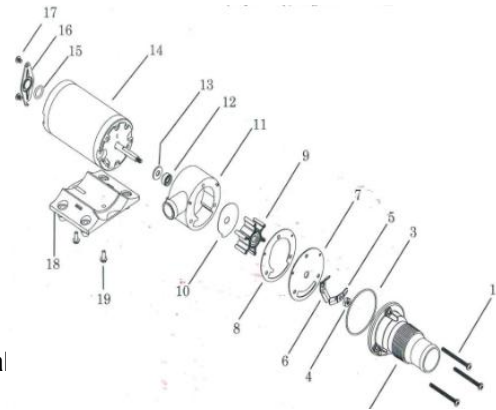
### Macerator pump/Marine Pump

This sewage pump is designed specifically for sanitation waste and fish box evacuations. This high-powered pump incorporates our high quality motor with a new seamless shell and splash proof design. The Macerator features a premium impeller design and includes o-ring sealed end bells to withstand the harsh marine environment. The pump runs with superior performance while delivering up to 13GPM (49.20LPM). Power available in both 12VDC and 24VDC.



### Specifications:

- 1, Pump Head 2 chambers
- 2, Open Flow 49L/Min
- 3, Max Pressure no pressure
4. Motor Configuration lead wires 2-pin connector
- 5, 2-pin connector with on/off switch
- 6, Inlet/ outlet size 2"(50mm)/1"(25mm)
- 7, Pump grinds waste into small particals for easy disposal
8. Motor Voltage 12 VDC/24V



### Technical Data:

Items No	Voltage (v)	Open Flow rate	Pressure off	Amps (A)	N.W/G. W	Dimension (10pcs/ctn)
FL-65A	12Vdc	49.2	No	10.0	2.35/2.6	51.5*42*32cm
FL-65B	24Vdc	49.2	No	5.0	2.35/2.6	51.5*42*32cm



# XIAMEN USAIL INDUSTRY AND TRADE CO., LTD

## High Flow Rate 5 Chamber Diaphragm Pumps

Specially for Adblue liquid

The HV series 5 chamber diaphragm pumps with the Permanent magnet motor and continuous duty cycle, self-priming ability can be more than 3 meters. The pumps can be applied for fresh water, weak acid&basicity liquid, and specially for Adblue liquid.

### Features:

- Permanent magnet and continuous duty
- Built-in pressure switch automatically starts and stops
- Pump when faucets is opened
- Self-priming 3m so pump can be located above water tank
- Runs dry for extended periods of time without damage
- Hold excellent motor keep stable temperature of pump body



### Technical Data:

Items No	Voltage (v)	Open Flow rate (L/min)	Pressure PSI	Amps (A)	Speed (rpm)	N.W/G.W (kg)
HV-25A	12Vdc	20-25	60-80	10.0	2700	4/4.5
HV-25B	24Vdc	20-25	60-80	6.0	2700	4/4.5
HV-25M	230Vac	20-25	60-80	1.0	2700	4/4.5
HV-25S	115Vac	20-25	60-80	1.5	2900	4/4.5
HV-30A	12Vdc	30-35	40	15.0	2800	5/5.5
HV-30B	24Vdc	30-35	40	7.5	2800	5/5.5
HV-30S	115Vac	30-35	40	4.0	3400	6/6.5
HV-30M	230Vac	30-35	40	1.5	2900	6/6.5
HV-40S	115Vac	40	25	4.2	3400	6/6.5
HV-40M	230Vac	40	25	1.8	2900	6/6.5
HV-50S	115Vac	50	25	4.5	3400	6/6.5
HV-50M	230Vac	50	25	2.0	2900	6/6.5

**HV-25A**



**HV-25M**



**HV-30A**



**HV-40M  
HV-50M**



## AUS32/Adblue Sytem/Urea Solution



Item No	Description	Images
Adblue automatic nozzles	Automatic Trigger nozzle with safety cut out valve Materials of construction stainless steel, viton Fitting:3/4" BSPP Flow range:0~60L/min Max.pressure:5 bar	
Automatic plastic nozzles	Flow range 15--45 litre/min Fittings:19mm barb Max Pressure 5 Bar Colour: Blue/White	
Adblue Manual Nozzles	Filling Nozzle manual Trigger Nozzle Fittings:19mm barb Flow range:0~80L/min Max.pressure:3.5Bar	
Adblue meter(K24)	Type:Inline turbine meter polyamide body Flow range:10~120L/min Accuracy:+-1% Pressure:10bar Connections:BSPT 1" or NPT1"	
Adblue EPDM hose	Size:19mm ID transfer hose supplied complete with 1"BSPT Type:EPDM Internal diameter:19mm Wall Thickness:4mm Flow range:0~60L/min	
Sec Suction Coupling	Type: Female coupling Fitting:3/4" BSPP Flow(max): 40L/min (0.6bar max.pressure drop) Pressure(max.2bar)	
Bracket Set Nozzle holder	Design specially for this system Bracket set material: Iron	

# XIAMEN USAIL INDUSTRY AND TRADE CO., LTD

## Stainless Steel Magnet homebrew Pump

### Application:

\*Application: These pumps are perfect for the serious homebrewer. Magnetic coupled, SS304 stainless head. Apply to :Beer Dispensing,Water Treatment,Pollution Control,Chemical Industry,Phatmacctical Industry.

### Feature and Benefit:

\*This pump has a stainless steel pump housing with 1/2" BSP/NPT threaded input\output ports. Maximum fluid temperature is 120°C.

\*The pump has a magnetically coupled impeller, which allows you to control the flow from the pump with a valve, useful for sparging for instance. You can close off the flow and the pump will not suffer any damage.

\*The pump is not self-priming and must not be run dry. Only use flow control on the output side.

<b>Head:</b>	304 Stainless Steel
<b>Inlet/Outlet:</b>	1/2" BSP or 1/2" NPT
<b>Tube:</b>	13mm
<b>Voltage:</b>	220/240v AC, 110/130V AC
<b>Frequency:</b>	50/60Hz
<b>Temperature:</b>	0-120°C (32°F-248°F)



Model	Max.flow rate (50/60Hz)	Rated flow rate (50/60Hz)	Max.Head (50/60Hz)	Rated head (m)	Current (220/240VAC)	Output(w) 50/60Hz	Speed (RPM)
MP-10RM	11/12LPM	5/8LPM	1.5/2.1m	1	60/75mA	5	2600/3000
MP-15RM	16/19LPM	8/12LPM	2.7/3.4m	1.5	110/120mA	10	2600/3000
MP-20RM	27/32LPM	17/22LPM	3.1/4.3m	2	150mA	15	2600/3000

