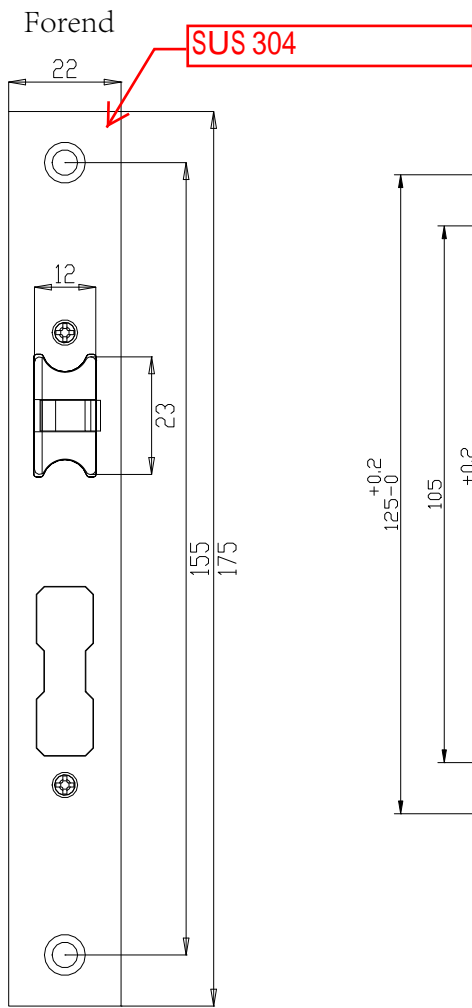


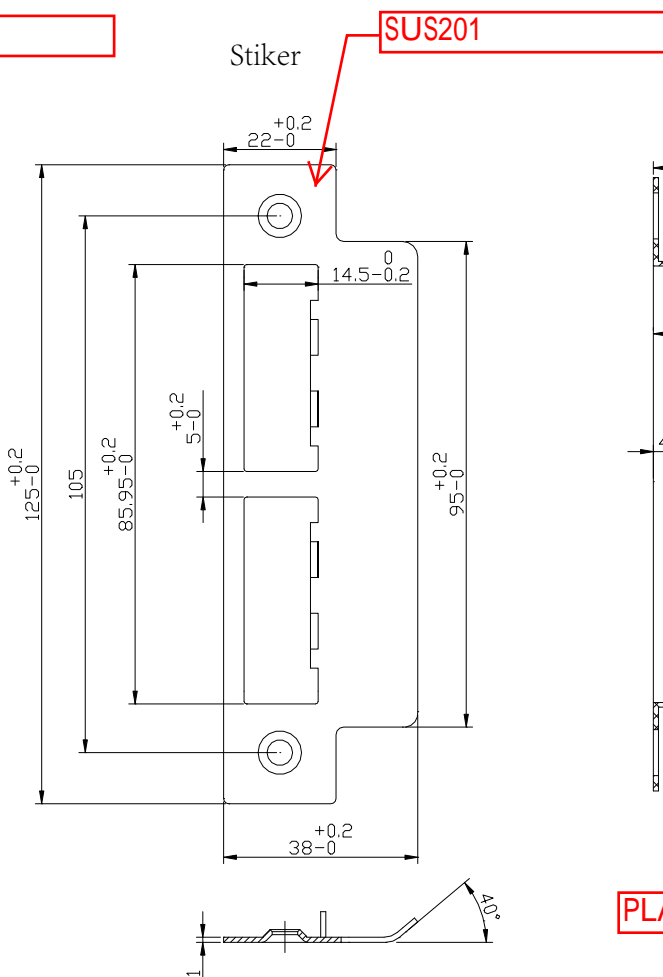
Mortise **CASE: SUS430**

**LATCH: SUS304**

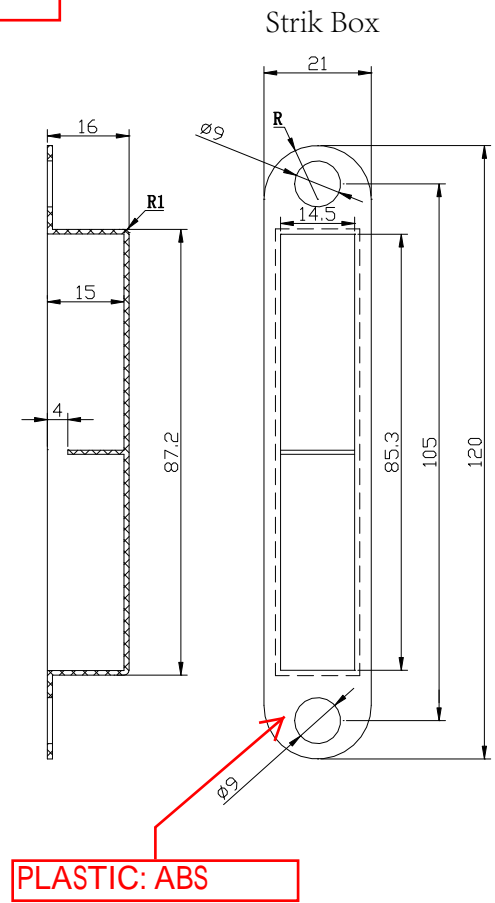
**DAEDBOLT: SUS304**



Forend **SUS 304**



Stiker **SUS201**



**PLASTIC: ABS**