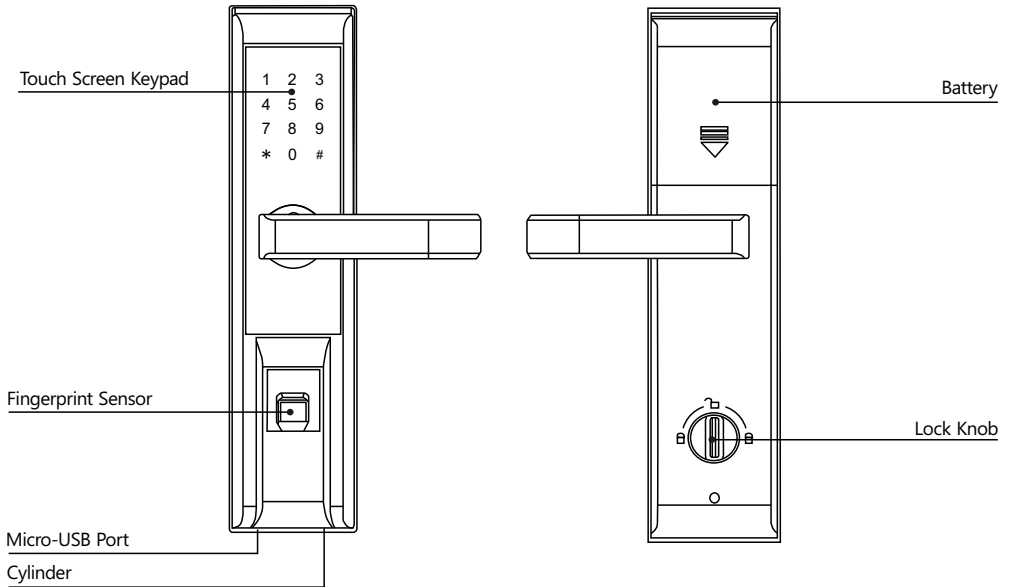


FINGERPRINT DOOR LOCK

M700

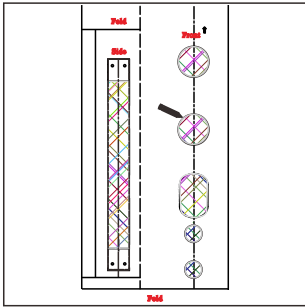
Product Guide



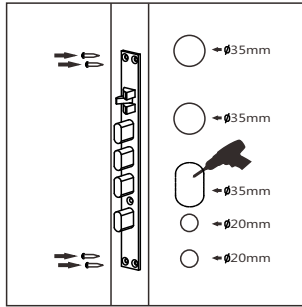
Brief Introduction

- 1 There are 13 password users and 993 fingerprint users and RF card users available in the lock.
- 2 The password can be set with 6 to 10 digits.
- 3 There are single unlocking mode and double unlocking mode in the lock. Single unlocking mode is default.
- 4 There is voice introduction to help you understand the operations in the lock.
- 5 The lock will be locked for 3 minute after inputting wrong password in 5 times.
- 6 When the battery voltage is low than 4.8V, the low battery alarm will be activated every time when unlock the lock.
- 7 The cylinder and the Micro USB port are at the bottom of outside panel.
- 8 The Security bolt has to be unlocked from inside.

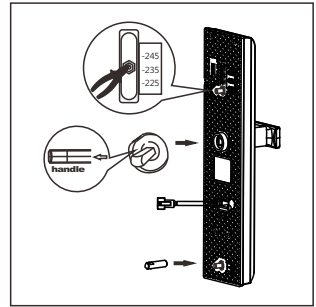
Installation



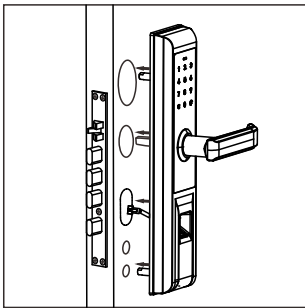
1. Place the template on the door. According to the template, mark the holes on the door with a pencil.



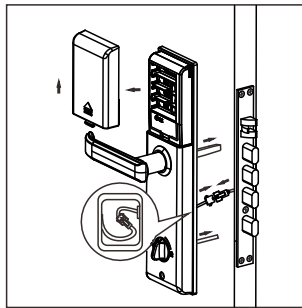
2. Take out the mortise before drilling the holes. Drill the door hole with a driller of 20mm and 35mm for mortise. Fix the mortise with screws.



3. Adjust upper screw sleeve according to actual door hole position. Insert square bar into handle hole, make sure arrow points to handle direction.

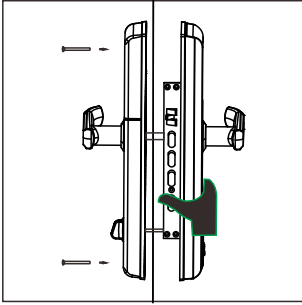


4. Install front faceplate, making sure different parts go into correct holes.

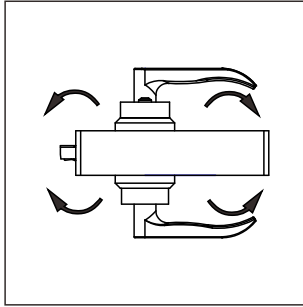


5. Take out battery cover, connect cables of front and back faceplates, and make sure knob is fixed in correct direction.

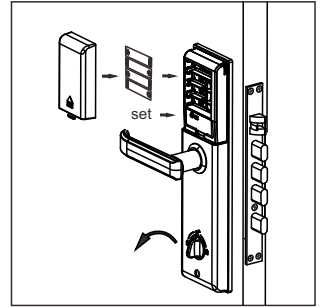
Installation



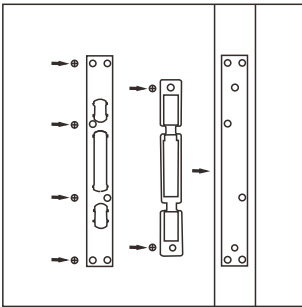
6. Use one hand to press front faceplate against the door, fix back faceplate with 2 screws.



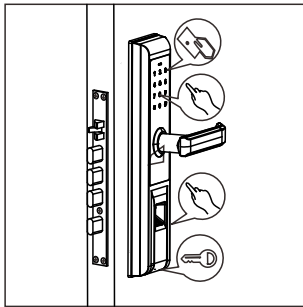
7. Adjust face plate position to make sure it is straightly and correctly installed.



8. Install the battery box and batteries, test the deadbolt.



9. Install the striking box and striker.



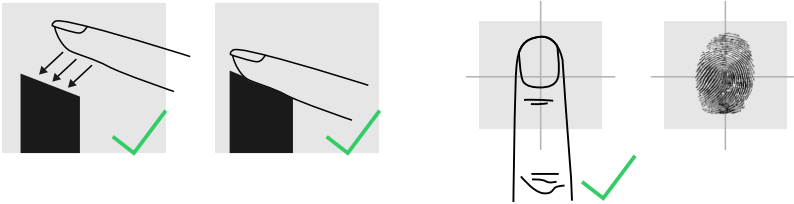
10. Test the installation by inner handle, knob, mechanical key, fingerprint, password and reading card.

Operation

1 Some Suggestions to Help Capturing the Fingerprint

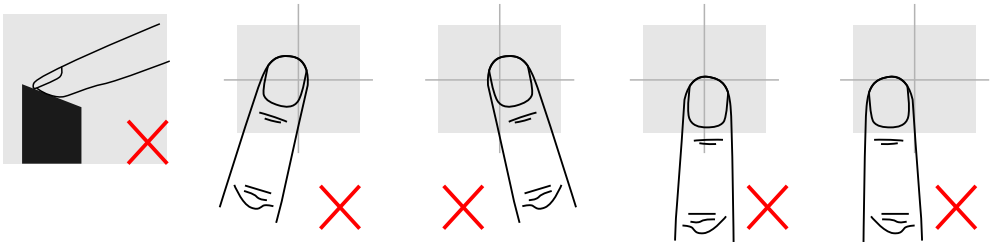
When placing the finger on the sensor, please make sure the “core” of fingerprint is staying in the main area of sensor directly with a little be pressure. Like the pictures show as following:


Insert Image



The sensor may not capture the correct fingerprint image if you take the following operations.

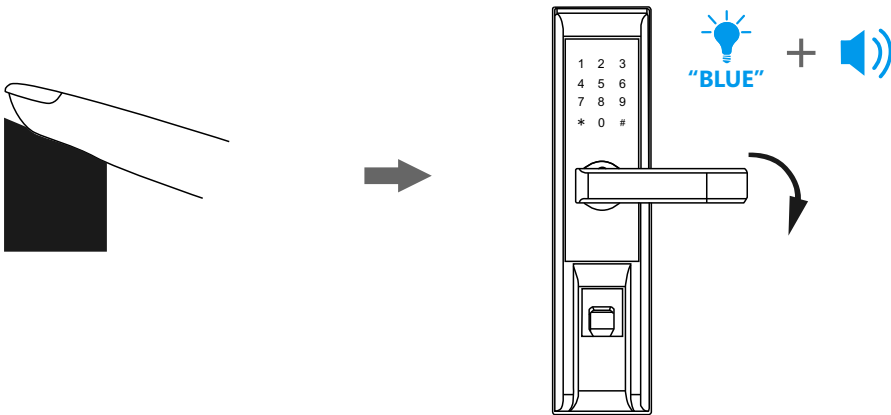
Insert Image



 **it is suggested to register the thumb, first finger, and middle finger for better fingerprint images.**

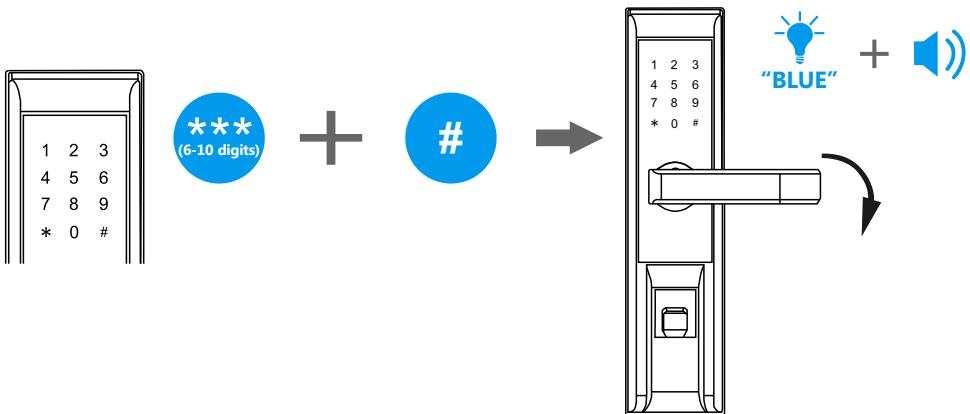
2 Fingerprint Unlocking

Place the finger on the sensor, the lock will be activated automatically and started to capture the fingerprint image for identification. Once the identification is passed, the keypad shows "Blue" light with sounds, then you can press down the handle for unlocking.



3 Password Unlocking

Touch the keypad to activate the lock, and then input the password (6-10 digits) with pressing "#" to finish. If the password is correct, the keypad shows "Blue" light with sounds, then you can press down the handle for unlocking.



When inputting a wrong password for 3 times, the lock will be locked for 5 minutes. During the 5 minutes, the lock cannot be activated and all operations are not available. After that, the lock returns to normal state.

Random Password Protection

For a better security protection to the password user, the lock is designed with a random password protection. You can add any digits before and after the real password.

For example, the password is "1234-5678", you can unlock the lock by inputting the password as following:

- 1:

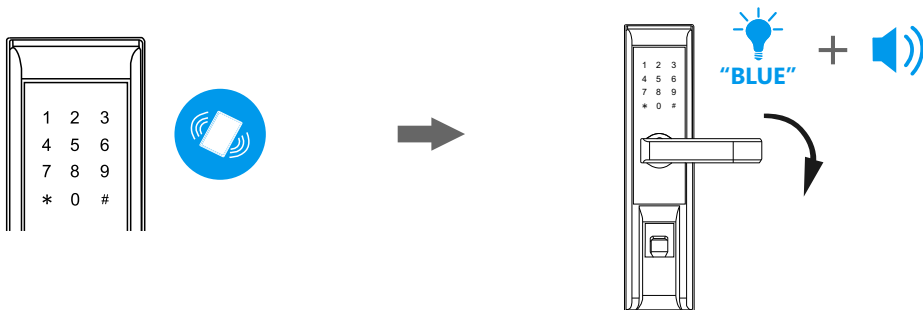
1	2	3	4	5	6	7	8	X	X	X	X	X	#
---	---	---	---	---	---	---	---	---	---	---	---	---	---
- 2:

X	X	X	X	X	X	1	2	3	4	5	6	7	8	#
---	---	---	---	---	---	---	---	---	---	---	---	---	---	---
- 3:

X	X	X	X	1	2	3	4	5	6	7	8	X	X	X	X	#
---	---	---	---	---	---	---	---	---	---	---	---	---	---	---	---	---

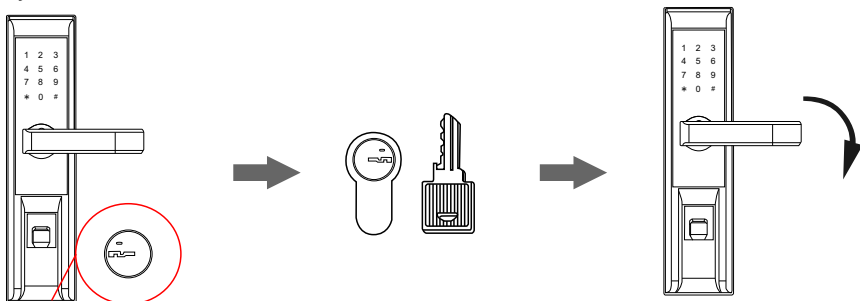
4 RF Card Unlocking

Place the card close to the card reader to verify, if the card is correct, the keypad shows "Blue" light with sounds, then you can press down the handle for unlocking.



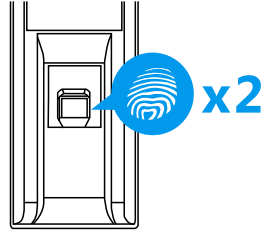
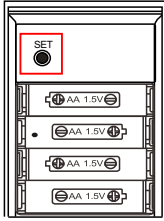
5 Mechanical Key Unlocking

When there is problem with electronic part, and the batteries run out of power, using mechanical key is the way to unlock the lock.



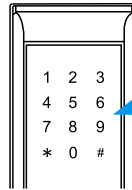
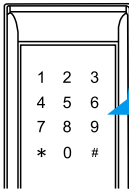
Operation

1 Register Master User



a Press "SET" key in the battery case;

b For Fingerprint User: place the finger on the sensor twice, then finish registration;



b For Password User: input the password twice, finish by pressing "#" to confirm, and then finish registration;

b For RF Card User: place the card on the reader once, then finish registration.



1. There are maximum 3 master users are available in the lock;



2. Please try to use the master user to unlocking to make sure the operations are successful.



3. The password can be set 6 to 10 digits;

2 Register Normal User



a Activate the lock, and then press "*" and then press "#" to start the registration mode;

b Input the master user for authorization;

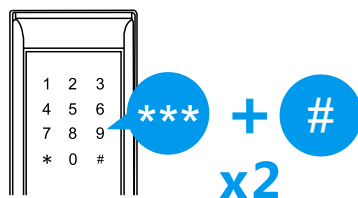


c Press number "1" for registration;

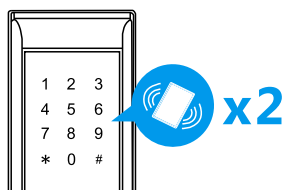
d Input the group number (group 0 to 9)



e For Fingerprint User: place the finger on the sensor twice;



e For Password User: input the password twice, finish by pressing "#" key;



e For Card User: place the card on the reader twice

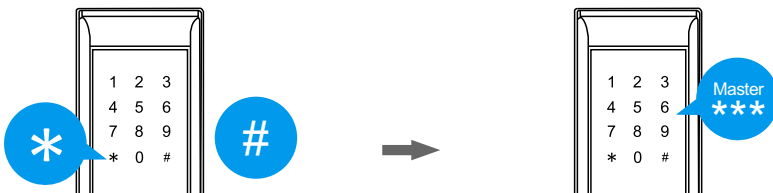


Each group there are 99 users for Fingerprints and RF cards, and 1 user for Password.



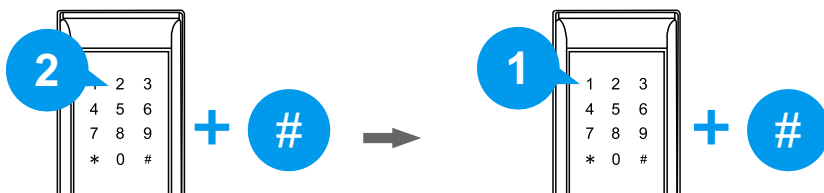
Please try to use the registered user to unlock and make sure the operations are successful.

3 Delete Normal User



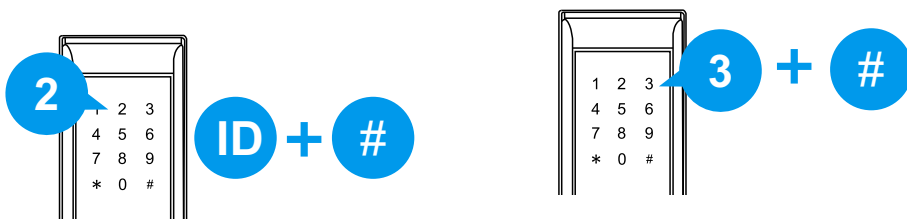
a Activate the lock, and then press "*" and then press "#" to start the registration mode;

b Input the master user for authorization;



c Press number "2" to delete users;

d Delete all users in the same group, press "1" and then press "#" to confirm;



d Delete single user, press "2", and then input the user ID, press "#" to confirm;

d Delete all normal users, press "3", and then press "#" to confirm;

! 1.If delete all normal users, the lock keeps the master users only;

! 2.Please try to use the deleted user to unlock and make sure the operations are successful.

4 Double Unlocking Mode

For better security, you can set up the lock to double unlocking mode. When the lock is under double unlocking mode, you have to input 2 registered users every time for unlocking.



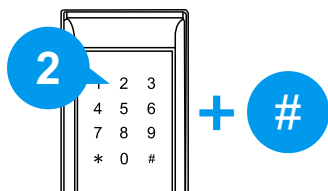
- a Activate the lock, and then press "*" and then press "#" to start the registration mode;

- b Input the master user for authorization;



- c Press number "3", and then press "#" to system setting;

- d Press "1", and then press "#" to unlocking mode;

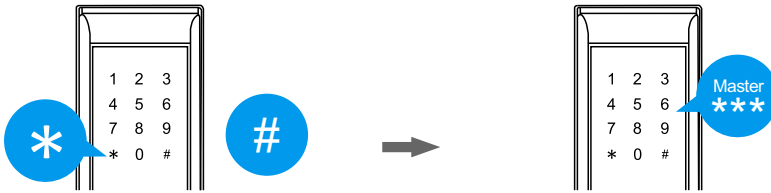


- e Press "2", and then press "#" to set double unlocking mode;



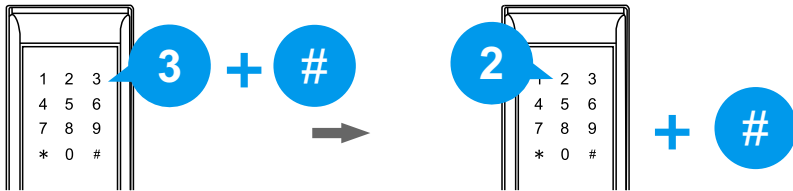
During the lock is under double unlocking mode, you have to input one fingerprint user and one password user every time to unlock.

5 Voice Setting



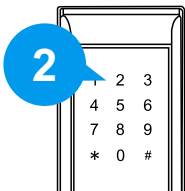
a Activate the lock, and then press "*" and then press "#" to start the registration mode;

b Input the master user for authorization;



c Press number "3", and then press "#" to system setting;

d Press "2", and then press "#" to voice setting



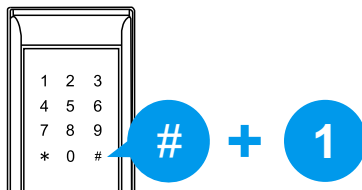
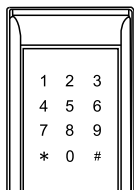
e Press "2" to disable the voice;

 **To enable the voice, please follow the steps above, and then press "1" to enable the voice.**

6 Passage Mode

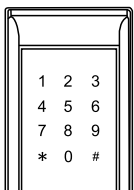
When the lock is required to unlock frequently, set the lock to passage mode can let the people unlock the lock without any identification.

*Enable:



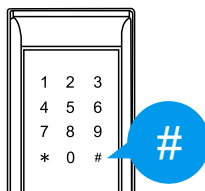
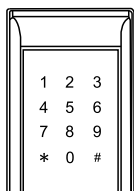
a Unlock with registered user;

b Press “#” and “1”



e The passage mode is activated;

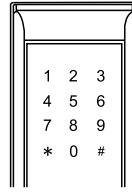
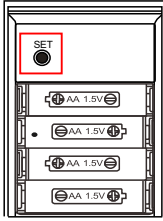
*Disable:



a Activate the lock;

b Press “#” to disable the passage mode;

7 Restore to Factory Default



a Press and hold the "SET" key in the battery case for some time;

b Release the key when hearing the lock says "initialization success"



When the lock is reset to factory default, any fingerprint and password can unlock;