



Far-distance ranging find



Eye-safe: Laser Class 1



Stable performance



Single/Multi pulse mode



Light weight



Small dimension



Convenient operation



Extensive use



LRF0630S-D/C

6km Eye-safe Laser Range Finder

LRF0630S

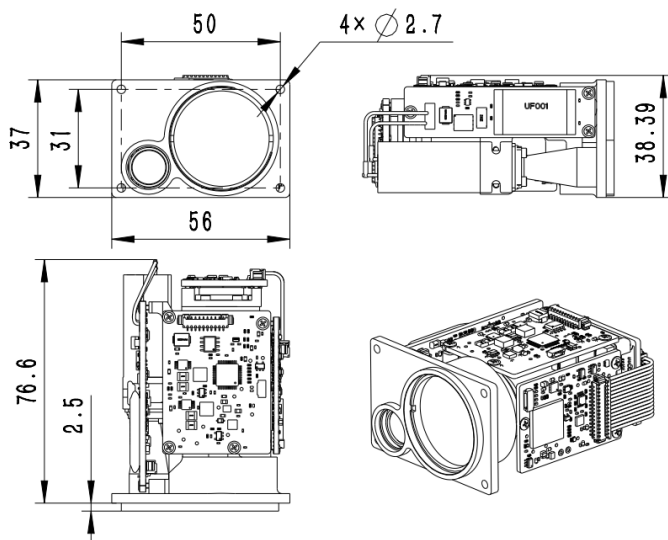
Parameters

Max range	≥6000m
Min range	50m
Accuracy	≤±2m (±1m optional)
Sending FOV	≤0.35mrad
Receiving FOV	1.88mrad
Accurate rate	≥98%
Number of target	≥3
Range resolution	≤30m
Dimensions	(see as below)

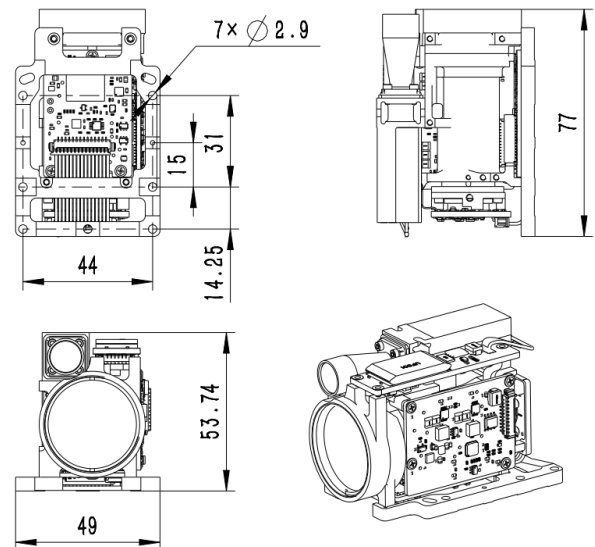
Stand-by power consumption	≤50mW
Peak power consumption	≤10W
Communication	UART(TTL_3.3V) / RS232 / RS422
Working temperature	-40 ~ + 65°C
Storage temperature	-55 ~ + 70°C
Vibration test	0.01-0.04g ² /Hz
Blow test	75g, 6ms
Temperature shock	-55°C , + 70°C
Weight	≤115g(LRF0630S-D)/125g(LRF0630S-C)

Adopt self-innovate 1535nm wave band eye-safe amorphous laser

Low in power consumption and dimension, could be widely used in surveillance system and unmanned systems single impulse distance measurement, max measurement distance ≥8km, effective distance towards 2.3*4.6m target ≥6km



(LRF0630S-D)



(LRF0630S-C)