

Cubic shape vacuum packaging machine——large package LZB-150-M3/S

Applications

Suitable for brick-shaped vacuum quantitative packaging of granules in refined rice, food, grains, sugar and other industries.

Technical Parameters

Model	LZB-150-M3/S
Weighing Extent(kg)	10~25 (cashew)
Operation Speed (bags/h)	140-160
Accuracy Grade	X(0.5)
Power, Power Consumption	AC 380V 50Hz、 5KW
Air, air expenditure	0.4~0.6MPa 20m ³ /h
Dimensions (L × W × H mm)	2950×1380×3000

Main configures

NO.	Name	Suppliers
1	Touch Screen	Japan/Omron
2	Weighing Controller	Canada/General measure
3	PLC	Japan/Omron
4	Power Supply	Japan/Omron
5	Solid State relay	Japan/Omron
6	Intermediate relay	Japan/Omron
7	Load cell	China/Zemic
8	phase order protector	France/Schneider
9	Vacuum pump	JiangSu/Raffles
10	Cylinder	Taiwan/AirTAC
11	solenoid valve	Taiwan/AirTAC

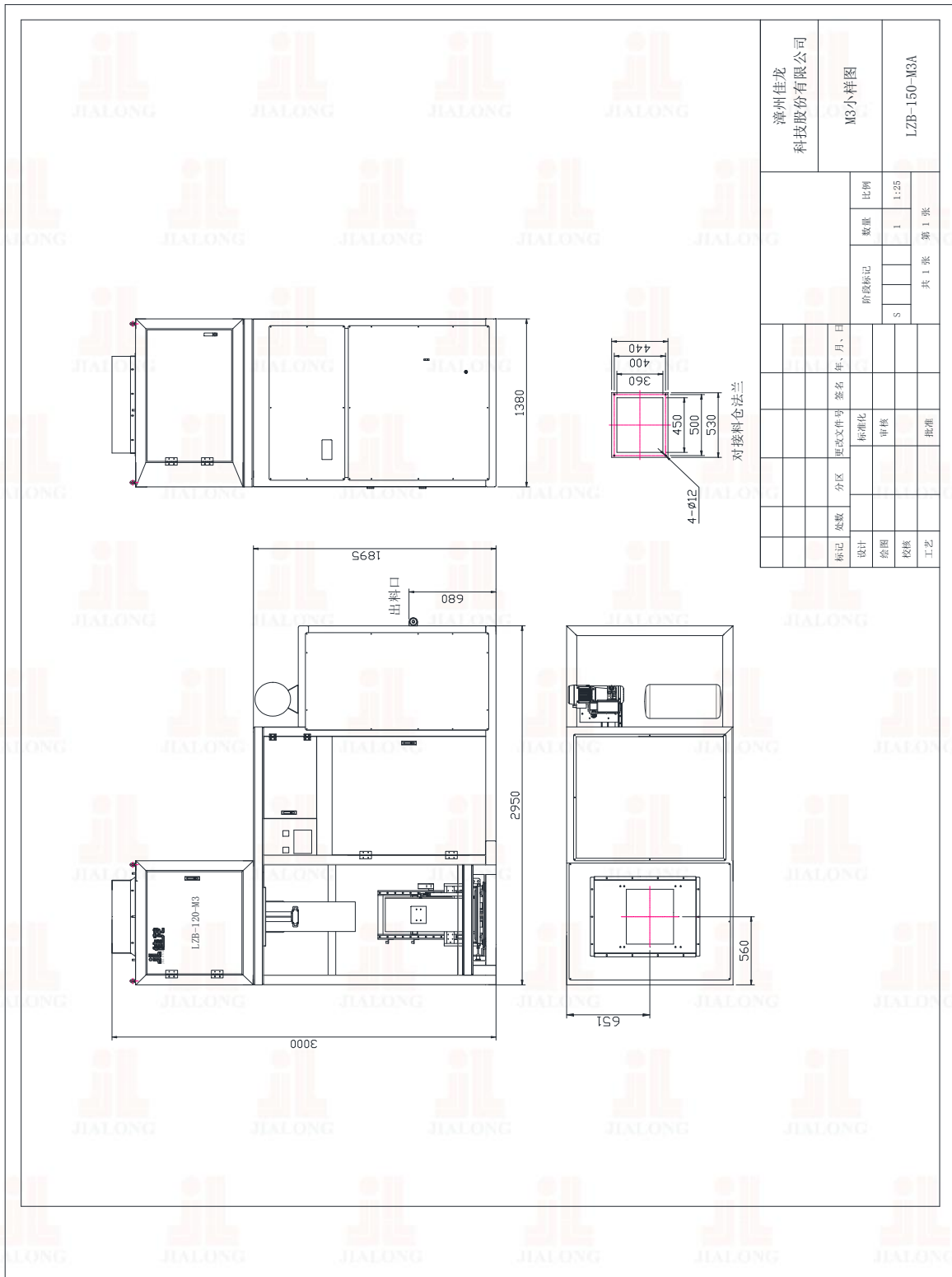
12	solenoid valve	Taiwan/ABBA
13	reduction drive	Taibang
14	servo motor	Shenzhen/Huichuan

● **Functions and Features**

- Suitable for the cubic shape vacuum packaging of cashew nut, peanut kernel, grain and other industries.
- Gravity feeding and vibration feeding to ensure material particle integrity and stable performance.
- The use of bucket measurement, high measurement accuracy, fast weighing speed.
- The two-sided vacuum bag replaces the traditional organ bag for six-sided vacuum packaging, which greatly reduces the packaging cost.
- Adopt Omron touch screen, Omron PLC centralized control, intelligent control weighing, filling, six-sided shaping, Vacuum, heat sealing, unloading, conveying the whole process, real-time tracking system status, man-machine interface friendly, easy to operate.
- Mold replacement, simple and convenient.
- The operation space is reasonable, and the right discharge conveyor realizes seamless docking with the subsequent conveyor belt.



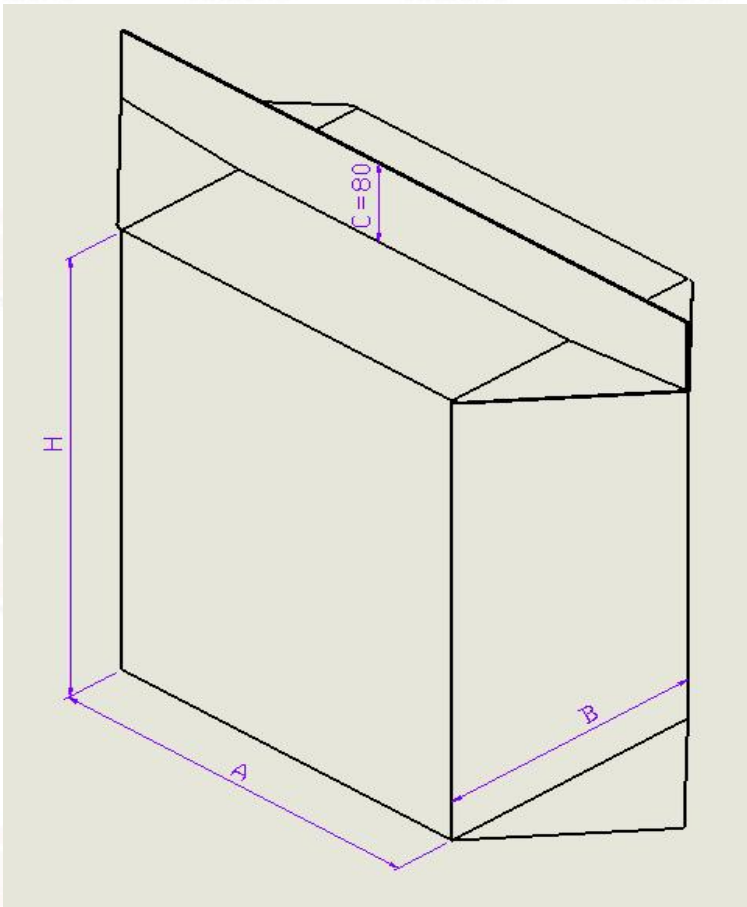
Equipment dimensions drawing



如果您想要更多的了解，请联系我们 400-886-0596 / 0596-2672889

For more details, please contact us:
 (+86)400-886-0596 / (+86) 596-2672889 export@jialong.cn

Adaptive packing range



Molding size packaging range (mm)
Height: $280 \leq H \leq 550$
Width: $200 \leq A \leq 340$
Thickness: $140 \leq B \leq 240$

如果您想要更多的了解，请联系我们 400-886-0596 / 0596-2672889

For more details, please contact us:
(+86)400-886-0596 / (+86) 596-2672889 export@jialong.cn