

LCJ-8T-6 Grain Blending Machine

◆ Application

Grain processing, chemical, port and other industries that require continuous operation and automatic control of material flow rate.

◆ Main configuration

No.	Name	Brand
1	Weighing Controller	Harbin/Zhiyuanda
2	Power Switch	Taiwan/Mingwei
3	Button /Knob	French/Schneider
4	Load Cell	America/Celtron
5	Contactora	French/Schneider
6	Solistate Relay	French/Schneider
7	Gear Reducer	Taiwan/Ruiyong
8	Pneumatic Element	Taiwan/Airtac

◆ Technical parameters

Model	LCJ-8T-6
Capacity (t/h)	0.2-8
Accuracy	≤0.5%
Power (KW)	0.3
Installation Height (mm)	900*1250*800

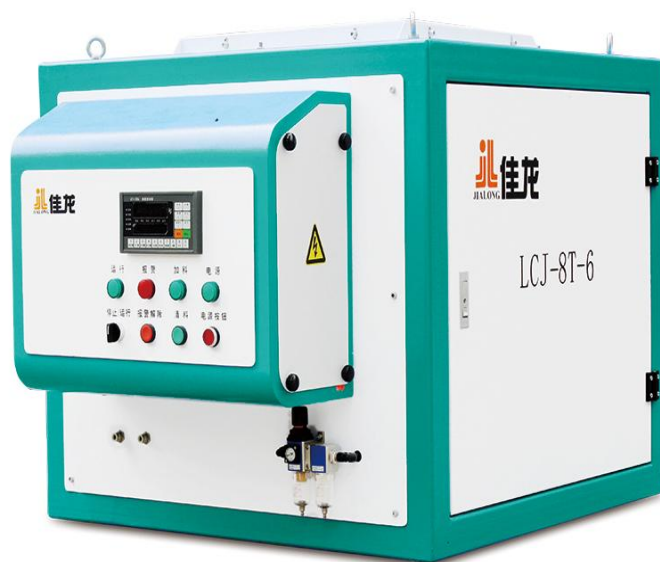
◆ Features

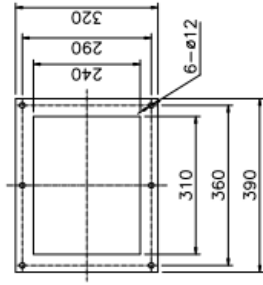
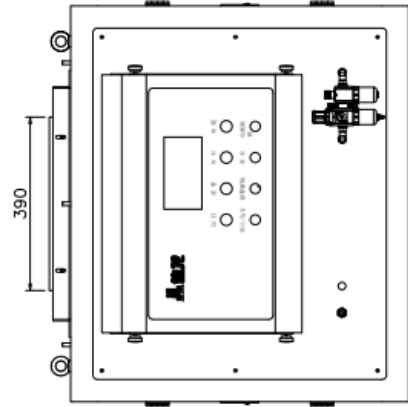
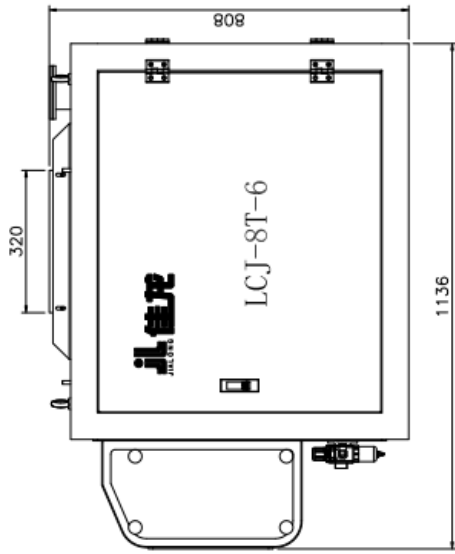
- ▲ Can adapt to various materials;
- ▲ Single channel maximum output 8t / h, minimum flow 0.2t / h;
- ▲ The ratio range is 1:40. The discharge port can be automatically opened within the matching range.;
- ▲ With automatic flow correction function during operation;
- ▲ One-button clearing material, after the ingredients are finished, it is easy to remove the materials in the measuring bucket;
- ▲ Adopt non-residue design, independently control double feeding mechanism, ensure fast feeding, and adapt to various specifications of flow control; -2-

- ▲ With channel alarm stop function, with quantitative output function mode;
- ▲ Reserve communication interface, which can be connected with the manufacturer's central control system, and has perfect communication function.;
- ▲ 3 sensors to ensure fast and stable feeding process;
- ▲ Single level detection control discharge to ensure uniformity of discharge.

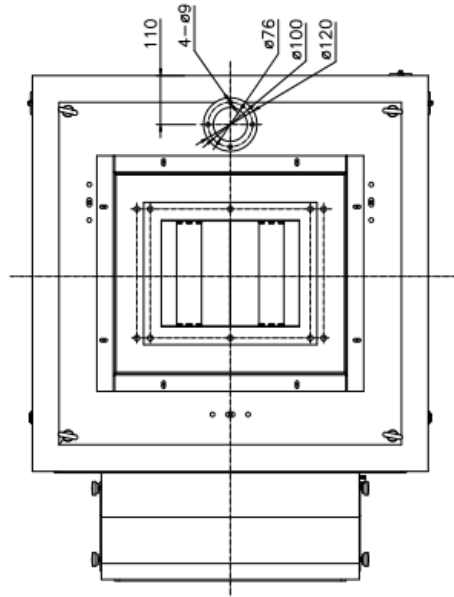
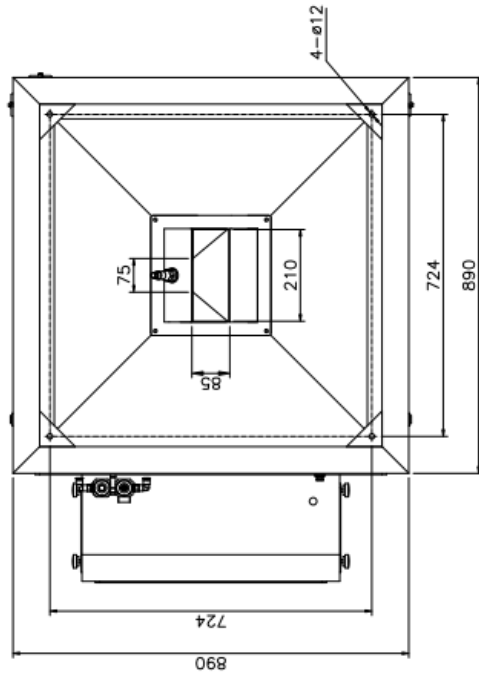
◆ Photo

v





料仓法兰尺寸图



底部安装尺寸图

漳州佳龙 科技股份有限公司		产品安装图		LCJ-8T-6	
标记	处数	分区	更改文件号	签名	年、月、日
设计			标准化		
绘图					
审核					
工艺				批准	
阶段标记			数量	比例	
B			1	1:12	
共 1 张 第 1 张					