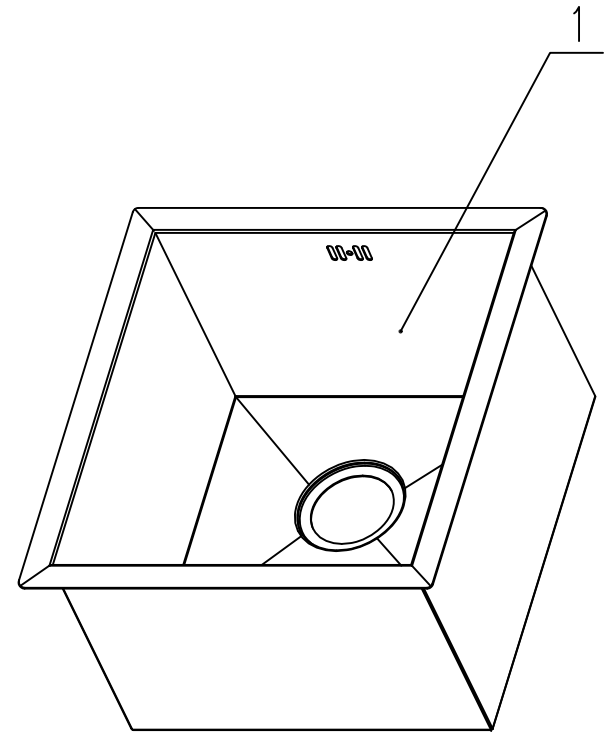


SECTION A-A



1	3.20.1.951002	单盘叠体/951002/折弯盘	1	2
---	---------------	-----------------	---	---