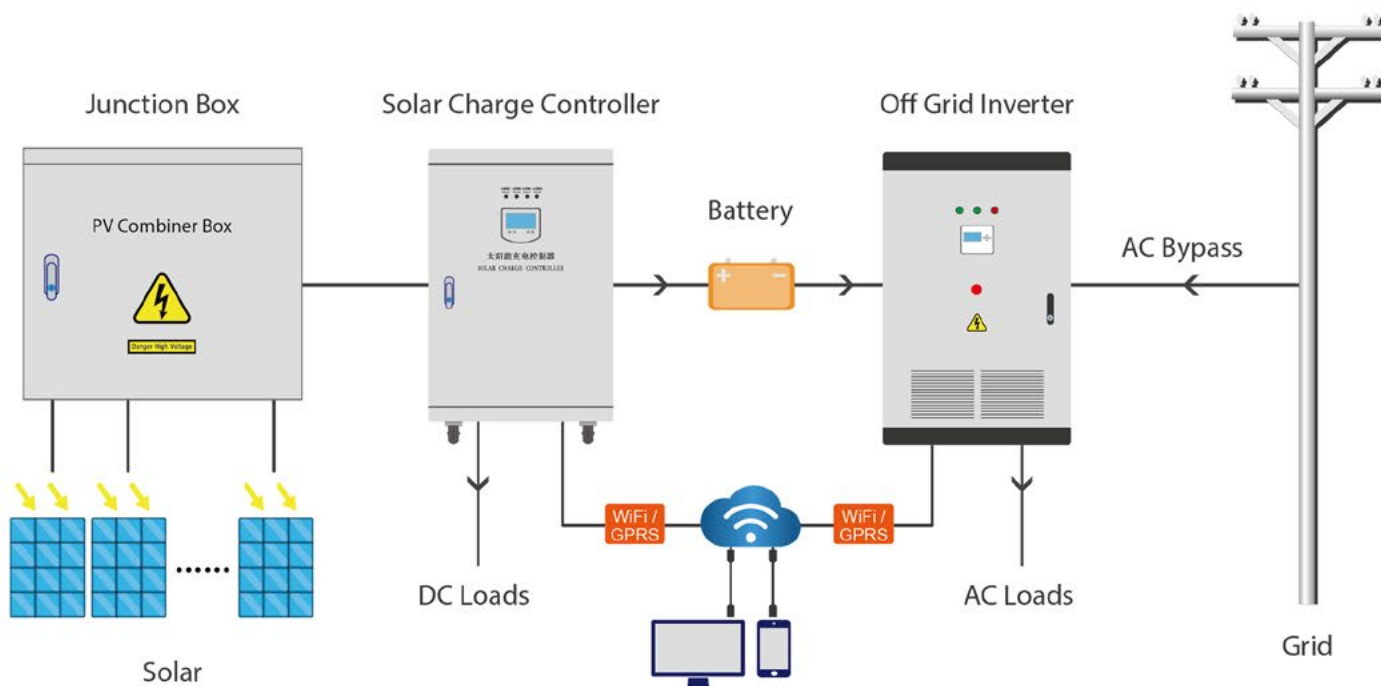


Off Grid Inverter

Pure Sine Wave Inverter

- ◆ Pure sine wave output .
- ◆ Low frequency toroidal transformer increase efficiency.
- ◆ Wide input voltage range.
- ◆ Circuit frame compact, Max. Efficiency≥90%.
- ◆ Using IGBT from Mitsubishi company as the power components.
- ◆ Using American ATEMEL company microprocessor as figure controller.
- ◆ Perfect protection and warning functions .
- ◆ Touch screen, perfect display, interface-friendly.
- ◆ Supports diesel or gasoline generator, adapt any tough electricity situation.
- ◆ RS232/485/WIFI/GPRS communication port optional.



7.5KVA off grid single phase inverter technical parameters

Type		NB48-7.5KDZ	NB96-7.5KDZ	NB120-7.5KDZ	NB240-7.5KDZ
DC input	Input rated voltage	48 V _{DC}	96 V _{DC}	120 V _{DC}	240 V _{DC}
	Input rated current	174A	87A	69A	35A
	Input DC voltage range	40-62 V _{DC}	80-124 V _{DC}	100-155 V _{DC}	200-310 V _{DC}
AC input	Allow input voltage range	110 V _{AC} / 120 V _{AC} / 220 V _{AC} / 240 V _{AC} ± 15%			
	Input rated current	68A / 62.5A / 34A / 31A			
	Bypass transfer time	≤40 ms (Can be customized ≤ 4ms version)			
AC output	Rated capacity	7.5KVA			
	Output rated power	6KW			
	Output rated voltage and frequency	110 V _{AC} / 120 V _{AC} / 220 V _{AC} / 240 V _{AC} , 50Hz / 60Hz			
	Output rated current	68A / 62.5A / 34A / 31A			
	Output voltage accuracy	110 V _{AC} / 120 V _{AC} / 220 V _{AC} / 240 V _{AC} ± 1%			
	Output frequency accuracy	50Hz / 60Hz ± 0.05%			
	Waveform distortion (THD). (Linear load)	≤3%			
	Dynamic response time (Load 0↔100%)	2ms			
	Power factor (PF)	0.8			
	Overload capacity	110%,3 minutes,150%,5 seconds			
	Crest factor (CF)	3:1			
	Inverter efficiency	90%			
	Working Environment	Dielectric strength	1500VAC,1minute		
Noise (1m)		≤50dB			
Ambient temperature		-10°C~+50°C			
Humidity		0~90%, No condensation			
Altitude		< 2000m (Higher than 2000m rated power should be reduced)			
Production function	Input reverse protection, input under-voltage protection, output overload protection, output short circuit protection, thermal protection				
Equipped with isolated transformer	Yes				
Pure Sine Wave	Yes				
AC Charger	Available, optional				
Solar Battery Charger	Available, optional				
Dry Contact	Available. optional				
Size	Net Size: 400*660*780mm Packing Size:520*780*950				
Weight	Net Weight :95KGS Gross Weight :110KGS				

10KVA off grid single phase inverter technical parameters

Type	NB48-10KDZ	NB96-10KDZ	NB120-10KDZ	NB240-10KDZ	
DC input	Input rated voltage	48 V _{DC}	96 V _{DC}	120 V _{DC}	240 V _{DC}
	Input rated current	231 A	116 A	93 A	46 A
	Input DC voltage range	40-62 V _{DC}	80-124 V _{DC}	100-155 V _{DC}	200-310 V _{DC}
AC input	Allow input voltage range	110 V _{AC} / 120 V _{AC} / 220 V _{AC} / 240 V _{AC} ± 15% V _{AC}			
	Input rated current	91A / 104A / 45.5 A / 42A			
	Bypass transfer time	≤40 ms (Can be customized ≤ 4ms version)			
AC output	Rated capacity	10KVA			
	Output rated power	8KW			
	Output rated voltage and frequency	110 V _{AC} / 120 V _{AC} / 220 V _{AC} / 240 V _{AC} , 50Hz / 60Hz			
	Output rated current	91A / 104A / 45.5 A /42A			
	Output voltage accuracy	110 V _{AC} / 120 V _{AC} / 220 V _{AC} / 240 V _{AC} ± 1%			
	Output frequency accuracy	50Hz / 60Hz ± 0.05%			
	Waveform distortion (THD). (Linear load)	≤3%			
	Dynamic response time (Load 0→100%)	2ms			
	Power factor (PF)	0.8			
	Overload capacity	110%,3 minutes,150%,5 seconds			
	Crest factor (CF)	3:1			
	Inverter efficiency	90%			
Working Environment	Dielectric strength	1500VAC,1minute			
	Noise (1m)	≤50dB			
	Ambient temperature	-10°C~+50°C			
	Humidity	0~90%, No condensation			
	Altitude	< 2000m (Higher than 2000m rated power should be reduced)			
Production function	Input reverse protection, input under-voltage protection, output overload protection, output short circuit protection, thermal protection				
Equipped with isolated transformer	Yes				
Pure Sine Wave	Yes				
AC Charger	Available, optional				
Solar Battery Charger	Available, optional				
Dry Contact	Available. optional				
Size	Net Size: 400*660*780mm Packing Size:520*780*950				
Weight	Net Weight :95KGS Gross Weight :110KGS				

15KVA off grid single phase inverter technical parameters

Type		NB48-15KDZ	NB96-15KDZ	NB120-15KDZ	NB240-15KDZ
DC input	Input rated voltage	48 V _{DC}	96 V _{DC}	120 V _{DC}	240 V _{DC}
	Input rated current	347 A	174 A	139 A	69 A
	Input DC voltage range	40-62 V _{DC}	80-124 V _{DC}	100-155 V _{DC}	200-310 V _{DC}
AC input (AC Bypass)	Allow input voltage range	110 V _{AC} / 120 V _{AC} / 220 V _{AC} / 240 V _{AC} ± 15% V _{AC}			
	Input rated current	136A / 125A / 68A / 62.5A			
	Bypass transfer time	≤100 ms (Can be customized ≤ 4ms version)			
AC output	Rated capacity	15KVA			
	Output rated power	12KW			
	Output rated voltage and frequency	110 V _{AC} / 120 V _{AC} / 220 V _{AC} / 240 V _{AC} , 50Hz / 60Hz			
	Output rated current	136A / 125A / 68A / 62.5A			
	Output voltage accuracy	110 V _{AC} / 120 V _{AC} / 220 V _{AC} / 240 V _{AC} ± 1%			
	Output frequency accuracy	50Hz / 60Hz ± 0.05%			
	Waveform distortion (THD). (Linear load)	≤3%			
	Dynamic response time (Load 0←→100%)	2ms			
	Power factor (PF)	0.8			
	Overload capacity	110%,3 minutes,150%,5 seconds			
	Crest factor (CF)	3:1			
	Inverter efficiency	90%			
Working Environment	Dielectric strength	1500VAC,1 minute			
	Noise (1m)	≤50dB			
	Ambient temperature	-10°C~+50°C			
	Humidity	0~90%, No condensation			
	Altitude	< 2000m (Higher than 2000m rated power should be reduced)			
Production function	Input reverse protection, input under-voltage protection, output overload protection, output short circuit protection, thermal protection				
Equipped with isolated transformer	Yes				
Pure Sine Wave	Yes				
AC Charger	Available, optional				
Solar Battery Charger	Available, optional				
Dry Contact	Available. optional				
Size	420×620×810mm				
Weight	125kg				

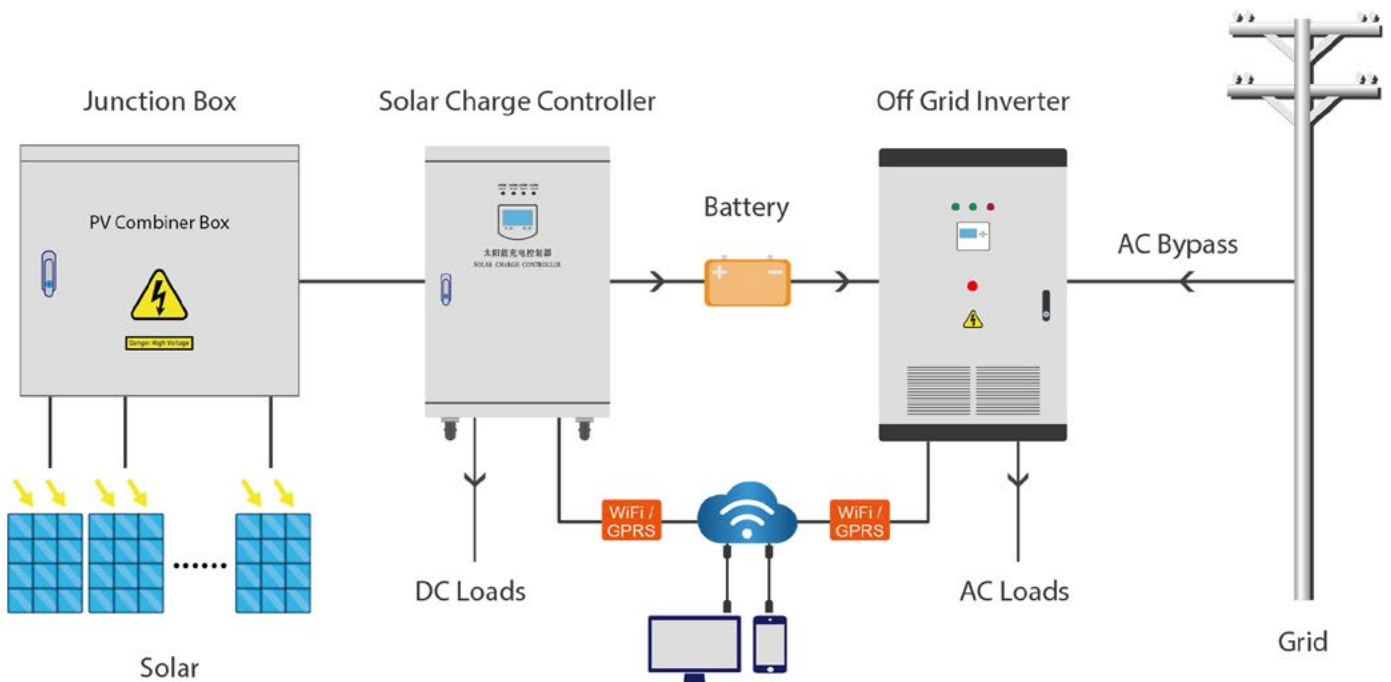


20KVA off grid single phase inverter technical parameters

Type		NB48-20KDZ	NB96-20KDZ	NB120-20KDZ	NB240-20KDZ
DC input	Input rated voltage	48 V _{DC}	96 V _{DC}	120 V _{DC}	240 V _{DC}
	Input rated current	463 A	231 A	185 A	93 A
	Input DC voltage range	40-62 V _{DC}	80-124 V _{DC}	100-155 V _{DC}	200-310 V _{DC}
AC input (AC Bypass)	Allow input voltage range	110 V _{AC} / 120 V _{AC} / 220 V _{AC} / 240 V _{AC} ± 15% V _{AC}			
	Input rated current	182A / 167A / 91 A / 83A			
	Bypass transfer time	≤100 ms (Can be customized ≤ 4ms version)			
AC output	Rated capacity	20KVA			
	Output rated power	16KW			
	Output rated voltage and frequency	110 V _{AC} / 120 V _{AC} / 220 V _{AC} / 240 V _{AC} , 50Hz / 60Hz			
	Output rated current	182A / 167A / 91 A / 83A			
	Output voltage accuracy	110 V _{AC} / 120 V _{AC} / 220 V _{AC} / 240 V _{AC} ±1%			
	Output frequency accuracy	50Hz / 60Hz ± 0.05%			
	Waveform distortion (THD). (Linear load)	≤3%			
	Dynamic response time (Load 0↔100%)	2ms			
	Power factor (PF)	0.8			
	Overload capacity	110%,3 minutes,150%,5 seconds			
	Crest factor (CF)	3:1			
	Inverter efficiency	90%			
	Working Environment	Dielectric strength	1500VAC,1minute		
Noise (1m)		≤50dB			
Ambient temperature		-10°C~+50°C			
Humidity		0~90%, No condensation			
Altitude		< 2000m (Higher than 2000m rated power should be reduced)			
Production function	Input reverse protection, input under-voltage protection, output overload protection, output short circuit protection, thermal protection				
Equipped with isolated transformer		Yes			
Pure Sine Wave		Yes			
AC Charger		Available, optional			
Solar Battery Charger		Available, optional			
Dry Contact		Available. optional			
Size	450×800×1000mm				
Weight	200kg				

Pure Sine Wave Inverter

- ◆ Pure sine wave output .
- ◆ Low frequency toroidal transformer increase efficiency.
- ◆ Wide input voltage range.
- ◆ Circuit frame compact, Max. Efficiency \geq 90%.
- ◆ Using IGBT from Mitsubishi company as the power components.
- ◆ Using American ATEMEL company microprocessor as figure controller.
- ◆ Perfect protection and warning functions .
- ◆ Touch screen, perfect display, interface-friendly.
- ◆ Supports diesel or gasoline generator, adapt any tough electricity situation.
- ◆ RS232/485/WIFI/GPRS communication port optional.



30KVA off grid single phase inverter technical parameters

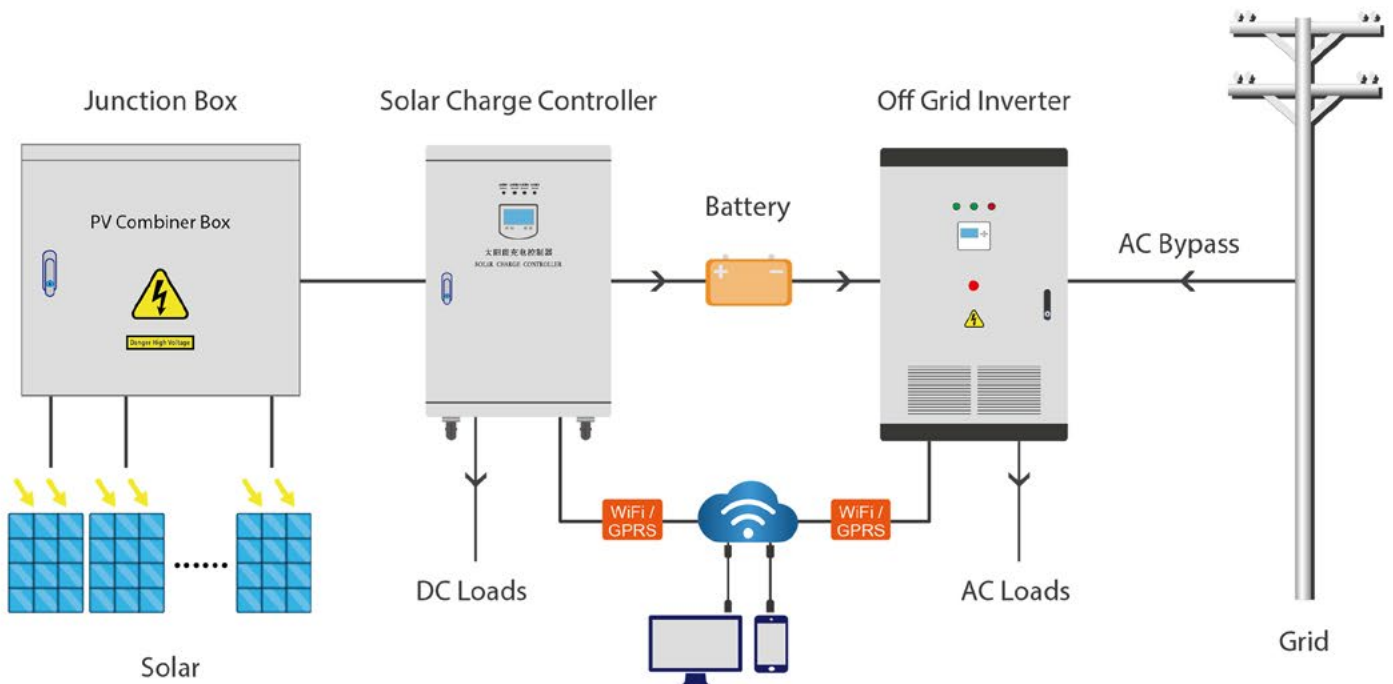
Type		NB120-30KDZ	NB240-30KDZ	NB380-30KDZ
DC input	Input rated voltage	120 V _{DC}	240 V _{DC}	380 V _{DC}
	Input rated current	278 A	139 A	88 A
	Input DC voltage range	100-155 V _{DC}	200-310 V _{DC}	320-496V _{DC}
AC input (AC Bypass)	Allow input voltage range	110 V _{AC} / 120 V _{AC} / 220 V _{AC} / 240 V _{AC} ± 15% V _{AC}		
	Input rated current	272A / 250A / 136 A /125A		
	Bypass transfer time	≤100 ms (Can be customized ≤ 4ms version)		
AC output	Rated capacity	30KVA		
	Output rated power	24KW		
	Output rated voltage and frequency	110 V _{AC} / 120 V _{AC} / 220 V _{AC} / 240 V _{AC} , 50Hz / 60Hz		
	Output rated current	272A / 250A / 136 A /125A		
	Output voltage accuracy	110 V _{AC} / 120 V _{AC} / 220 V _{AC} / 240 V _{AC} ± 1%		
	Output frequency accuracy	50Hz / 60Hz ±0.05%		
	Waveform distortion (THD). (Linear load)	≤3%		
	Dynamic response time (Load 0←→100%)	2ms		
	Power factor (PF)	0.8		
	Overload capacity	110%,3 minutes,150% ,5 seconds		
	Crest factor (CF)	3:1		
	Inverter efficiency	90%		
Working Environment	Dielectric strength	1500VAC,1minute		
	Noise (1m)	≤50dB		
	Ambient temperature	-10°C~+50°C		
	Humidity	0~90%, No condensation		
	Altitude	< 2000m (Higher than 2000m rated power should be reduced)		
Production function	Input reverse protection, input under-voltage protection, output overload protection, output short circuit protection, thermal protection			
Equipped with isolated transformer		Yes		
Pure Sine Wave		Yes		
AC Charger		Available, optional		
Solar Battery Charger		Available, optional		
Dry Contact		Available. Optional		
Size(mm)	650*600*1320mm			
Weight(kg)	240kg			

50KVA off grid single phase inverter technical parameters

Type		NB240-50KDZ	NB380-50KDZ
DC input	Input rated voltage	240 V _{DC}	380 V _{DC}
	Input rated current	231 A	146 A
	Input DC voltage range	200-310 V _{DC}	320-496V _{DC}
AC input (AC Bypass)	Allow input voltage range	110 V _{AC} / 120 V _{AC} / 220 V _{AC} / 240 V _{AC} ± 15% V _{AC}	
	Input rated current	455A / 417A / 227A /208A	
	Bypass transfer time	≤100 ms (Can be customized ≤ 4ms version)	
AC output	Rated capacity	50KVA	
	Output rated power	40KW	
	Output rated voltage and frequency	110 V _{AC} / 120 V _{AC} / 220 V _{AC} / 240 V _{AC} , 50Hz / 60Hz	
	Output rated current	455A / 417A / 227A / 208A	
	Output voltage accuracy	110 V _{AC} / 120 V _{AC} / 220 V _{AC} / 240 V _{AC} ± 1%	
	Output frequency accuracy	50Hz / 60Hz ±0.05%	
	Waveform distortion (THD). (Linear load)	≤3%	
	Dynamic response time (Load 0↔100%)	2ms	
	Power factor (PF)	0.8	
	Overload capacity	110%,3 minutes,150%,5 seconds	
	Crest factor (CF)	3:1	
	Inverter efficiency	90%	
Working Environment	Dielectric strength	1500VAC,1minute	
	Noise (1m)	≤50dB	
	Ambient temperature	-10°C~+50°C	
	Humidity	0~90%, No condensation	
	Altitude	< 2000m (Higher than 2000m rated power should be reduced)	
Production function	Input reverse protection, input under-voltage protection, output overload protection, output short circuit protection, thermal protection		
Equipped with isolated transformer		Yes	
Pure Sine Wave		Yes	
AC Charger		Available, optional	
Solar Battery Charger		Available, optional	
Dry Contact		Available. Optional	
Size(mm)	600*1350*1460mm		
Weight(kg)	510kg		

Pure Sine Wave Inverter

- ◆ Pure sine wave output .
- ◆ Low frequency toroidal transformer increase efficiency.
- ◆ Wide input voltage range.
- ◆ Circuit frame compact, Max. Efficiency $\geq 90\%$.
- ◆ Using IGBT from Mitsubishi company as the power components.
- ◆ Using American ATEMEL company microprocessor as figure controller.
- ◆ Perfect protection and warning functions .
- ◆ Touch screen, perfect display, interface-friendly.
- ◆ Supports diesel or gasoline generator, adapt any tough electricity situation.
- ◆ RS232/485/WIFI/GPRS communication port optional.



75KVA off grid single phase inverter technical data sheet

Type		NB240-75KDZ	NB380-75KDZ
DC input	Input rated voltage	240 V _{DC}	380V _{DC}
	Input rated current	347A	219 A
	Input DC voltage range	200-310 V _{DC}	320-496V _{DC}
AC input (AC Bypass)	Allow input voltage range	110 V _{AC} / 120 V _{AC} / 220 V _{AC} / 240 V _{AC} ± 15% V _{AC}	
	Input rated current	680A / 625A / 340A / 312.5A	
	Bypass transfer time	≤100 ms (Can be customized ≤ 4ms version)	
AC output	Rated capacity	75KVA	
	Output rated power	60KW	
	Output rated voltage and frequency	110 V _{AC} / 120 V _{AC} / 220 V _{AC} / 240 V _{AC} , 50Hz / 60Hz	
	Output rated current	680A / 625A / 340A / 312.5A	
	Output voltage accuracy	110 V _{AC} / 120 V _{AC} / 220 V _{AC} / 240 V _{AC} ± 1%	
	Output frequency accuracy	50Hz / 60Hz ± 0.05%	
	Waveform distortion (THD). (Linear load)	≤3%	
	Dynamic response time (Load 0→100%)	2ms	
	Power factor (PF)	0.8	
	Overload capacity	110%,3minutes,150%,5 seconds	
	Crest factor (CF)	3:1	
	Inverter efficiency	90%	
Working Environment	Dielectric strength	1500VAC,1minute	
	Noise (1m)	≤50dB	
	Ambient temperature	-10°C~+50°C	
	Humidity	0~90%, No condensation	
	Altitude	< 2000m (Higher than 2000m rated power should be reduced)	
Pure Sine Wave		Yes	
Equipped with copper transformer		Yes	
If solar charger is available		Yes	
AC Charger		Available, optional	
Dry Contact		Available. Optional	
Production function	Input reverse protection, input under-voltage protection, output overload protection, output short circuit protection, thermal protection		
Size(mm)	600*1350*1460mm		
Weight(kg)	680kg		

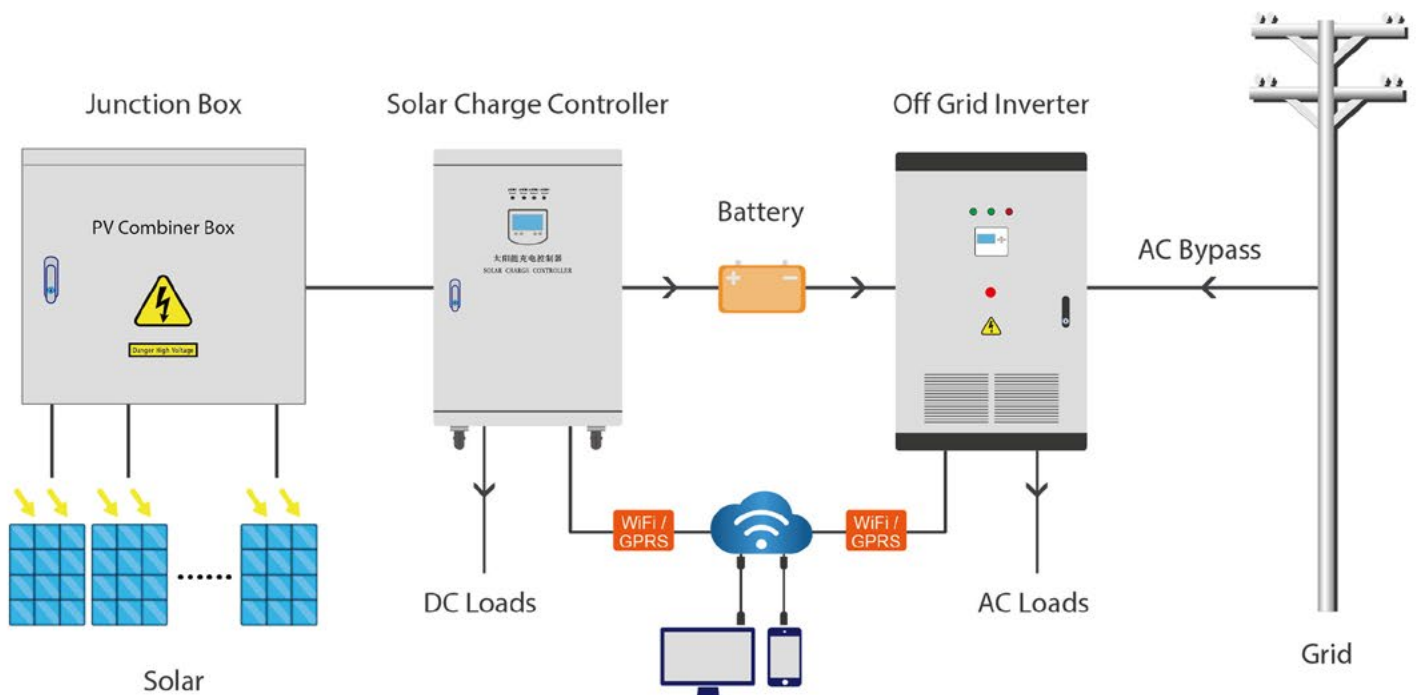
100KVA off grid single phase inverter technical parameters

Type		NB240-100KDZ	NB380-100KDZ
DC input	Input rated voltage	240 V _{DC}	380 V _{DC}
	Input rated current	463 A	292 A
	Input DC voltage range	200-310 V _{DC}	320-496V _{DC}
AC input (AC Bypass)	Allow input voltage range	110 V _{AC} / 120 V _{AC} / 220 V _{AC} / 240 V _{AC} ± 15% V _{AC}	
	Input rated current	909A / 833A / 455A /417A	
	Bypass transfer time	≤100 ms (Can be customized ≤ 4ms version)	
AC output	Rated capacity	100KVA	
	Output rated power	80KW	
	Output rated voltage and frequency	110 V _{AC} / 120 V _{AC} / 220 V _{AC} / 240 V _{AC} , 50Hz / 60Hz	
	Output rated current	909A / 833A / 455A /417A	
	Output voltage accuracy	110 V _{AC} / 120 V _{AC} / 220 V _{AC} / 240 V _{AC} ± 1%	
	Output frequency accuracy	50Hz / 60Hz ±0.05%	
	Waveform distortion (THD). (Linear load)	≤3%	
	Dynamic response time (Load 0←→100%)	2ms	
	Power factor (PF)	0.8	
	Overload capacity	110%,3 minutes,150%,5 seconds	
	Crest factor (CF)	3:1	
Inverter efficiency	90%		
Working Environment	Dielectric strength	1500VAC,1minute	
	Noise (1m)	≤50dB	
	Ambient temperature	-10°C~+50°C	
	Humidity	0~90%, No condensation	
	Altitude	< 2000m (Higher than 2000m rated power should be reduced)	
Production function	Input reverse protection, input under-voltage protection, output overload protection, output short circuit protection, thermal protection		
Pure Sine Wave	Yes		
Equipped with copper transformer	Yes		
If solar charger is available	Yes		
AC Charger	Available, optional		
Dry Contact	Available. Optional		
Size(mm)	660*1500*1600mm		
Weight(kg)	850kg		



Pure Sine Wave Inverter

- ◆ Pure sine wave output .
- ◆ Low frequency toroidal transformer increase efficiency.
- ◆ Wide input voltage range.
- ◆ Circuit frame compact, Max. Efficiency $\geq 90\%$.
- ◆ Using IGBT from Mitsubishi company as the power components.
- ◆ Using American ATEMEL company microprocessor as figure controller.
- ◆ Perfect protection and warning functions .
- ◆ Touch screen, perfect display, interface-friendly.
- ◆ Supports diesel or gasoline generator, adapt any tough electricity situation.
- ◆ RS232/485/WIFI/GPRS communication port optional.



10KVA off grid three phase inverter technical parameters

Type		NB48-10KSZ	NB96-10KSZ	NB120-10KSZ	NB240-10KSZ
DC input	Input rated voltage	48 V _{DC}	96 V _{DC}	120 V _{DC}	240 V _{DC}
	Input rated current	231 A	116 A	93 A	46 A
	Input DC voltage allowing range	40-62V _{DC}	80-124 V _{DC}	100-155 V _{DC}	200-310 V _{DC}
AC Input (AC bypass)	Allow input voltage range	220 V _{AC} / 380 V _{AC} / 400 V _{AC} ± 15% V _{AC}			
	Input rated current	28A / 15A / 14.5A			
	Bypass transfer time	≤40 ms (Can be customized ≤ 4ms version)			
AC output	Rated capacity	10KVA			
	Output rated power	8KW			
	Output rated voltage and frequency	220 V _{AC} / 380 V _{AC} / 400 V _{AC} , 50Hz / 60Hz			
	Output rated current	28A / 15A / 14.5A			
	Output voltage accuracy	220 V _{AC} / 380 V _{AC} / 400 V _{AC} ± 1%			
	Output frequency accuracy	50Hz / 60Hz ± 0.05%			
	Wave Form	Pure sine wave (Isolation transformer)			
	THD.	≤3% (Linear load)			
	Power factor (PF)	0.8			
	Overload capacity	110%,3 minutes,150%,5 seconds			
	Crest factor (CF)	3:1			
	Inverter efficiency	> 92%			
Working Environment	Dielectric strength	1500VAC,1 minute			
	Noise (1m)	≤50dB			
	Ambient temperature	-10°C ~ +50°C			
	Humidity	0~90%, No condensation			
	Altitude	< 2000m , Higher than 2000m rated power should be reduced			
Production function	Input reverse protection, input under-voltage protection, output overload protection, output short circuit protection, thermal protection				
Pure Sine Wave	Yes				
Equipped with copper transformer	Yes				
Solar Charger	Optional, available				
AC Charger	Optional, available				
Generator Port	Optional, available				
Size(mm)	450×830×1100 mm				
Weight(kg)	180 kg				



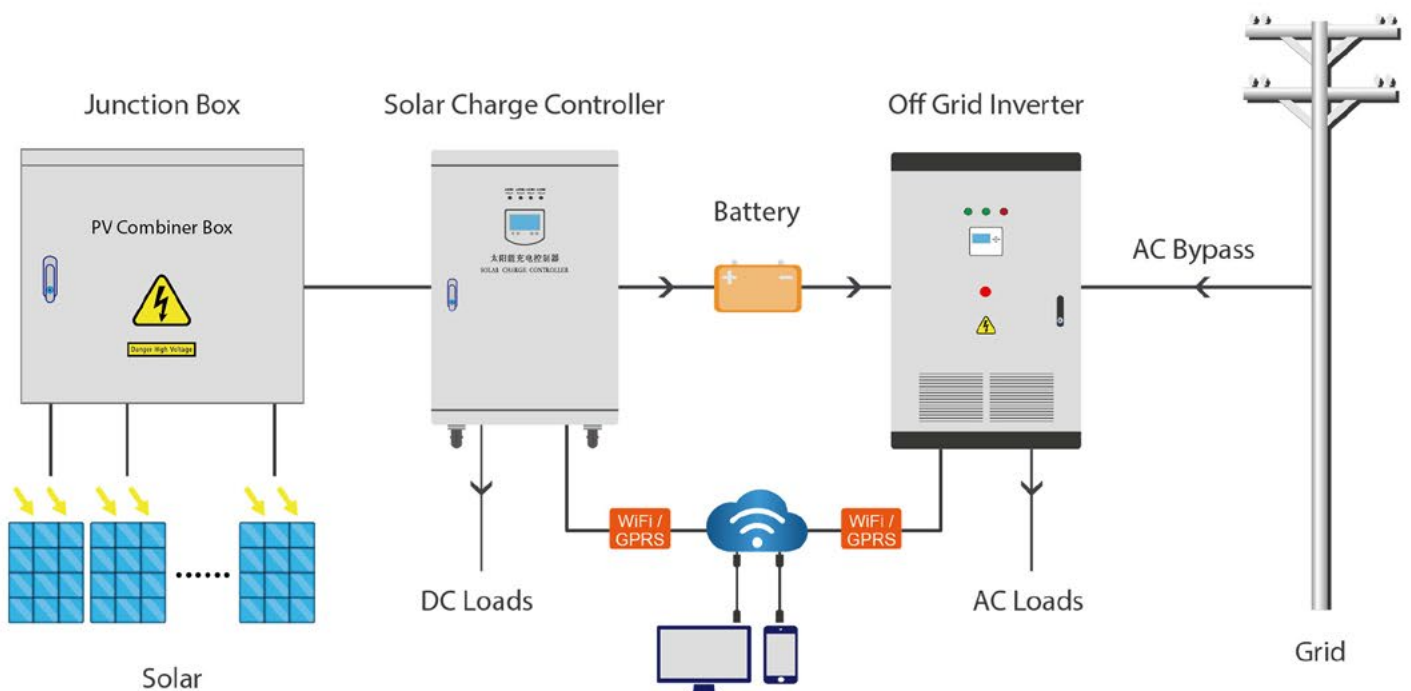
15KVA off grid three phase inverter technical parameters

Type		NB48-15KSZ	NB96-15KSZ	NB120-15KSZ	NB240-15KSZ
DC input	Input rated voltage	48 V _{DC}	96 V _{DC}	120 V _{DC}	240 V _{DC}
	Input rated current	347 A	174 A	139 A	69 A
	Input DC voltage range	40-62V _{DC}	80-124 V _{DC}	100-155 V _{DC}	200-310 V _{DC}
AC input (AC Bypass)	Allow input voltage range	220 V _{AC} / 380 V _{AC} / 400 V _{AC} ± 15% V _{AC}			
	Input rated current	42A / 23A / 21A			
	Bypass transfer time	≤100 ms (Can be customized ≤ 4ms version)			
AC output	Rated capacity	15KVA			
	Output rated power	12KW			
	Output rated voltage and frequency	220 V _{AC} / 380 V _{AC} / 400 V _{AC} , 50Hz / 60Hz			
	Output rated current	42A / 23A / 21A			
	Output voltage accuracy	220 V _{AC} / 380 V _{AC} / 400 V _{AC} ± 1%			
	Output frequency accuracy	50Hz / 60Hz ± 0.05%			
	Waveform distortion (THD). (Linear load)	≤3%			
	Dynamic response time (Load 0→100%)	2ms			
	Power factor (PF)	0.8			
	Overload capacity	110%,3 minutes,150%, 5 seconds			
	Crest factor (CF)	3:1			
	Inverter efficiency	90%			
Working Environment	Dielectric strength	1500VAC,1minute			
	Noise (1m)	≤50dB			
	Ambient temperature	-10°C~+50°C			
	Humidity	0~90%, No condensation			
	Altitude	< 2000m (Higher than 2000m rated power should be reduced)			
Production function	Input reverse protection, input under-voltage protection, output overload protection, output short circuit protection, thermal protection				
Pure Sine Wave	Yes				
Equipped with copper transformer	Yes				
Solar Charger	Optional, available				
AC Charger	Optional, available				
Generator Port	Optional, available				
Size(mm)	520×1160×1350 mm				
Weight(kg)	280 kg				



Pure Sine Wave Inverter

- ◆ Pure sine wave output .
- ◆ Low frequency toroidal transformer increase efficiency.
- ◆ Wide input voltage range.
- ◆ Circuit frame compact, Max. Efficiency \geq 90%.
- ◆ Using IGBT from Mitsubishi company as the power components.
- ◆ Using American ATEMEL company microprocessor as figure controller.
- ◆ Perfect protection and warning functions .
- ◆ Touch screen, perfect display, interface-friendly.
- ◆ Supports diesel or gasoline generator, adapt any tough electricity situation.
- ◆ RS232/485/WIFI/GPRS communication port optional.



20KVA off grid three phase inverter technical parameters

Type		ND48-20KS	ND96-20KS	ND120-20KS	ND240-20KS
DC input	Input rated voltage	48 V _{DC}	96 V _{DC}	120 V _{DC}	240 V _{DC}
	Input rated current	463 A	231 A	185 A	93 A
	Input DC voltage range	40-62V _{DC}	80-124 V _{DC}	100-155 V _{DC}	200-310 V _{DC}
AC input (AC Bypass)	Allow input voltage range	220 V _{AC} / 380 V _{AC} / 400 V _{AC} ± 15% V _{AC}			
	Input rated current	55.5A / 30A / 29A			
	Bypass transfer time	≤100 ms (Can be customized ≤ 4ms version)			
AC output	Rated capacity	20KVA			
	Output rated power	16KW			
	Output rated voltage and frequency	220 V _{AC} / 380 V _{AC} / 400 V _{AC} , 50Hz / 60Hz			
	Output rated current	55.5A / 30A / 29A			
	Output voltage accuracy	220 V _{AC} / 380 V _{AC} / 400 V _{AC} ±2%			
	Output frequency accuracy	50Hz / 60Hz ± 0.05%			
	Waveform distortion (THD). (Linear load)	≤3%			
	Dynamic response time (Load 0←→100%)	2ms			
	Power factor (PF)	0.8			
	Overload capacity	110%,3 minutes,150%,5 seconds			
	Crest factor (CF)	3:1			
	Inverter efficiency	90%			
Working Environment	Dielectric strength	1500VAC,1minute			
	Noise (1m)	≤50dB			
	Ambient temperature	-10°C~+50°C			
	Humidity	0~90%, No condensation			
	Altitude	< 2000m (Higher than 2000m rated power should be reduced)			
Production function	Input reverse protection, input under-voltage protection, output overload protection, output short circuit protection, thermal protection				
Pure Sine Wave	Yes				
Equipped with copper transformer	Yes				
Solar Charger	Optional, available				
AC Charger	Optional, available				
Generator Port	Optional, available				
Size(mm)	520×1160×1350 mm				
Weight(kg)	280 kg				



30KVA off grid three phase inverter technical parameters

Type		NB120-30KSZ	NB240-30KSZ	NB380-30KSZ
DC input	Input rated voltage	120 V _{DC}	240 V _{DC}	380 V _{DC}
	Input rated current	278A	139 A	88 A
	Input DC voltage range	100-155 V _{DC}	200-310 V _{DC}	320-496V _{DC}
AC input (AC Bypass)	Allow input voltage range	220 V _{AC} / 380 V _{AC} / 400 V _{AC} ± 15% V _{AC}		
	Input rated current	83A / 45.5A / 43.5 A		
	Bypass transfer time	≤100 ms (Can be customized ≤ 4ms version)		
AC output	Rated capacity	30KVA		
	Output rated power	24KW		
	Output rated voltage and frequency	220 V _{AC} / 380 V _{AC} / 400 V _{AC} , 50Hz / 60Hz		
	Output rated current	83A / 45.5A / 43.5 A		
	Output voltage accuracy	220 V _{AC} / 380 V _{AC} / 400 V _{AC} ± 1%		
	Output frequency accuracy	50Hz / 60Hz ±0.05%		
	Waveform distortion (THD). (Linear load)	≤3%		
	Dynamic response time (Load 0↔100%)	2ms		
	Power factor (PF)	0.8		
	Overload capacity	110%,3 minutes,150%, 5 seconds		
	Crest factor (CF)	3:1		
	Inverter efficiency	90%		
Working Environment	Dielectric strength	1500VAC,1minute		
	Noise (1m)	≤50dB		
	Ambient temperature	-10°C~+50°C		
	Humidity	0~90%,No condensation		
	Altitude	< 2000m (Higher than 2000m rated power should be reduced)		
Production function	Input reverse protection, input under-voltage protection, output overload protection, output short circuit protection, thermal protection			
Pure Sine Wave	Yes			
Equipped with copper transformer	Yes			
Solar Charger	Optional, available			
AC Charger	Optional, available			
Generator Port	Optional, available			
Size(mm)	660*1300*1600mm			
Weight(kg)	360kg			

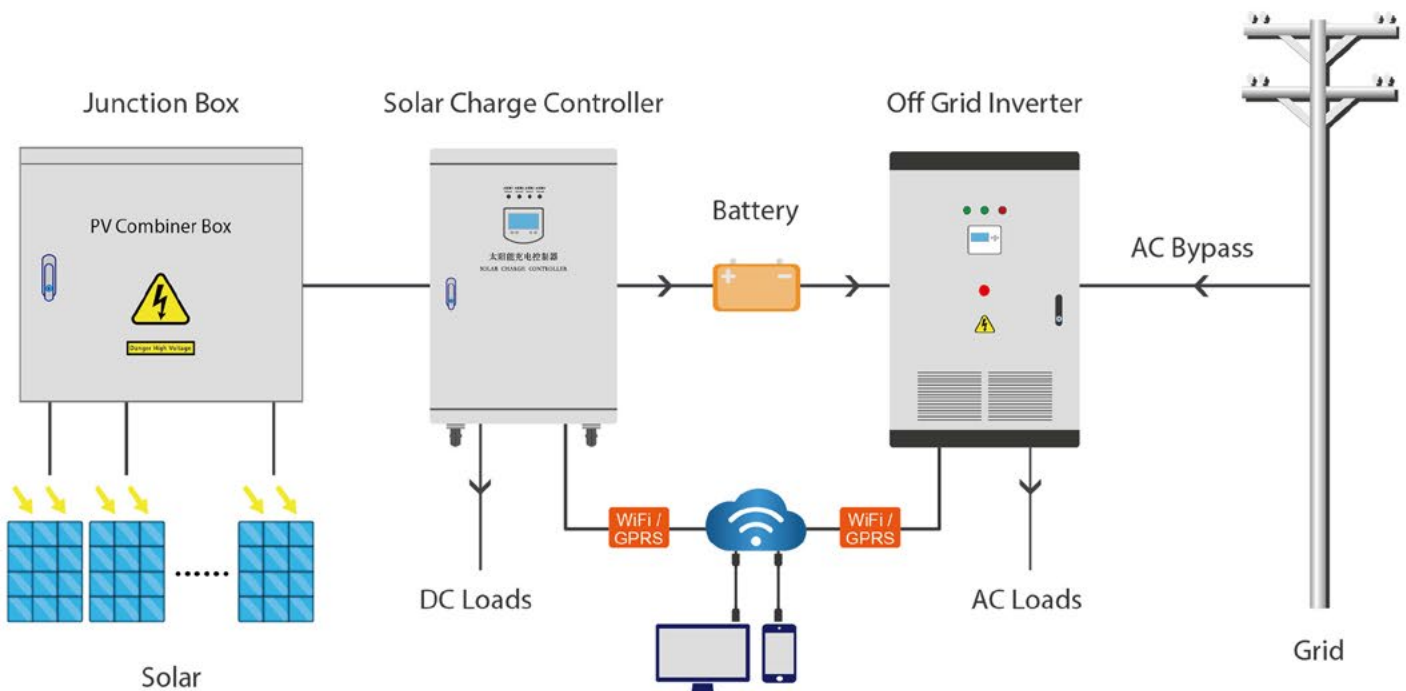


50KVA off grid three phase inverter technical data sheet

Type		NB480-50KSZ	NB380-50KSZ
DC input	Input rated voltage	480 V _{DC}	380 V _{DC}
	Input rated current	115 A	146 A
	Input DC voltage range	400-620 V _{DC}	320-496V _{DC}
AC input (AC Bypass)	Allow input voltage range	220 V _{AC} / 380 V _{AC} / 400 V _{AC} ± 15% V _{AC}	
	Input rated current	139A / 76A / 72.5A	
	Bypass transfer time	≤100 ms (Can be customized ≤ 4ms version)	
AC output	Rated capacity	50KVA	
	Output rated power	40KW	
	Output rated voltage and frequency	220 V _{AC} / 380 V _{AC} / 400 V _{AC} , 50Hz / 60Hz	
	Output rated current	139A / 76A / 72.5A	
	Output voltage accuracy	220 V _{AC} / 380 V _{AC} / 400 V _{AC} ± 1%	
	Output frequency accuracy	50Hz / 60Hz ±0.05%	
	Waveform distortion (THD). (Linear load)	≤3%	
	Dynamic response time (Load 0↔100%)	2ms	
	Power factor (PF)	0.8	
	Overload capacity	110%,3 minutes,150%,5 seconds	
	Crest factor (CF)	3:1	
Inverter efficiency	90%		
Working Environment	Dielectric strength	1500VAC,1minute	
	Noise (1m)	≤50dB	
	Ambient temperature	-10°C~+50°C	
	Humidity	0~90%,No condensation	
	Altitude	< 2000m (Higher than 2000m rated power should be reduced)	
Pure Sine Wave		Yes	
Equipped with copper transformer		Yes	
If solar charger available		Yes	
AC Charger		Optional	
RS485		Optional	
Production function	Input reverse protection, input under-voltage protection, output overload protection, output short circuit protection, thermal protection		
Size(mm)	660*1300*1600mm		
Weight(kg)	450kg		

Pure Sine Wave Inverter

- ◆ Pure sine wave output .
- ◆ Low frequency toroidal transformer increase efficiency.
- ◆ Wide input voltage range.
- ◆ Circuit frame compact, Max. Efficiency $\geq 90\%$.
- ◆ Using IGBT from Mitsubishi company as the power components.
- ◆ Using American ATEMEL company microprocessor as figure controller.
- ◆ Perfect protection and warning functions .
- ◆ Touch screen, perfect display, interface-friendly.
- ◆ Supports diesel or gasoline generator, adapt any tough electricity situation.
- ◆ RS232/485/WIFI/GPRS communication port optional.



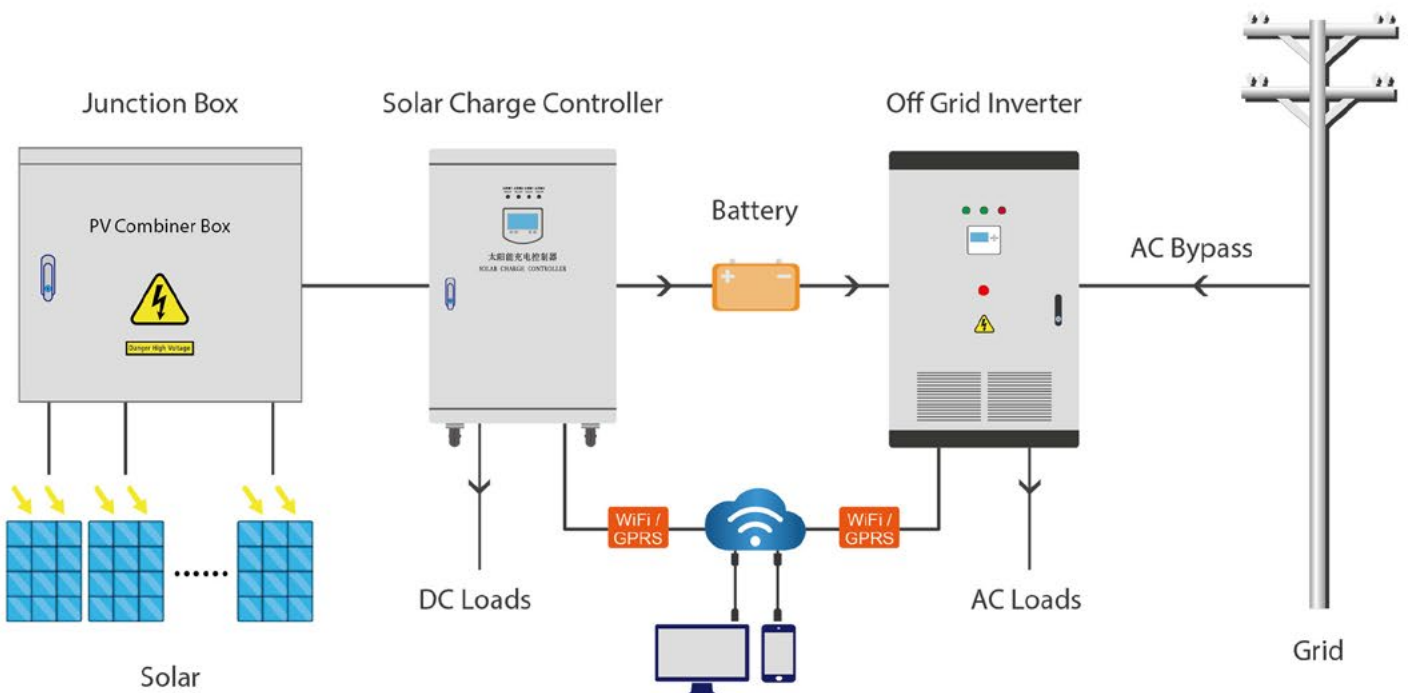
75KVA off grid three phase inverter technical data sheet

Type		NB380-75KSZ	NB240-75KSZ
DC input	Input rated voltage	380 V _{DC}	240 V _{DC}
	Input rated current	219 A	347 A
	Input DC voltage allowing range	320-496 V _{DC}	200-310 V _{DC}
AC input (AC Bypass)	Allow input voltage range	220 V _{AC} / 380 V _{AC} / 400 V _{AC} ± 15% V _{AC}	
	Input rated current		
	Bypass transfer time	≤100 ms (Can be customized ≤ 4ms version)	
AC output	Rated capacity	75KVA	
	Output rated power	60KW	
	Output rated voltage and frequency	220 V _{AC} / 380 V _{AC} / 400 V _{AC} , 50Hz / 60Hz	
	Output rated current	192A /114A / 108A	
	Output voltage accuracy	220 V _{AC} / 380 V _{AC} / 400 V _{AC} ± 1%	
	Output frequency accuracy	50Hz / 60Hz ± 0.05%	
	Waveform distortion (THD). (Linear load)	≤3%	
	Dynamic response time (Load 0↔100%)	2ms	
	Power factor (PF)	0.8	
	Overload capacity	110%,3 minutes,150%,10 seconds	
	Crest factor (CF)	3:1	
	Inverter efficiency	90%	
	Working Environment	Dielectric strength	1500VAC,1minute
Noise (1m)		≤50dB	
Ambient temperature		-10°C~+50°C	
Humidity		0~90%, No condens ation	
Altitude		< 2000m (Higher than 2000m rated power should be reduced)	
Pure Sine Wave		Yes	
Equipped with copper transformer		Yes	
If solar charger available		Yes	
AC Charger		Optional	
RS485		Optional	
Production function	Input reverse protection, input under-voltage protection, output overload protection, output short circuit protection, thermal protection		
Size(mm)	750*1500*1700mm		
Weight(kg)	680kg		



Pure Sine Wave Inverter

- ◆ Pure sine wave output .
- ◆ Low frequency toroidal transformer increase efficiency.
- ◆ Wide input voltage range.
- ◆ Circuit frame compact, Max. Efficiency \geq 90%.
- ◆ Using IGBT from Mitsubishi company as the power components.
- ◆ Using American ATEMEL company microprocessor as figure controller.
- ◆ Perfect protection and warning functions .
- ◆ Touch screen, perfect display, interface-friendly.
- ◆ Supports diesel or gasoline generator, adapt any tough electricity situation.
- ◆ RS232/485/WIFI/GPRS communication port optional.



100KVA off grid three phase inverter technical data sheet

Type		NB360-100KSZ	NB380-100KSZ
DC input	Input rated voltage	360 V _{DC}	380 V _{DC}
	Input rated current	309 A	292 A
	Input DC voltage range	300-465 V _{DC}	320-496V _{DC}
AC input (AC Bypass)	Allow input voltage range	220 V _{AC} / 380 V _{AC} / 400 V _{AC} ± 15% V _{AC}	
	Input rated current	278A / 152A / 145A	
	Bypass transfer time	≤100 ms (Can be customized ≤ 4ms version)	
AC output	Rated capacity	100KVA	
	Output rated power	80KW	
	Output rated voltage and frequency	220 V _{AC} / 380 V _{AC} / 400 V _{AC} , 50Hz / 60Hz	
	Output rated current	278A / 152A / 145A	
	Output voltage accuracy	220 V _{AC} / 380 V _{AC} / 400 V _{AC} ± 1%	
	Output frequency accuracy	50Hz / 60Hz ±0.05%	
	Waveform distortion (THD).(Linear load)	≤3%	
	Dynamic response time(Load 0 ← → 100%)	2ms	
	Power factor (PF)	0.8	
	Overload capacity	110%,3 minutes,150%,5 seconds	
	Crest factor (CF)	3:1	
Inverter efficiency	90%		
Working Environment	Dielectric strength	1500VAC,1minute	
	Noise (1m)	≤50dB	
	Ambient temperature	-10°C~+50°C	
	Humidity	0~90%,No condensation	
	Altitude	< 2000m (Higher than 2000m rated power should be reduced)	
Pure Sine Wave		Yes	
Equipped with copper transformer		Yes	
AC Charger		Optional	
Solar Charger		Optional	
Generator port		Optional	
Production function	Input reverse protection, input under-voltage protection, output overload protection, output short circuit protection, thermal protection		
Size(mm)	Product Size: 650*1400*1500	Package Size: 750*1500*1700	
Weight(kg)	730kg		

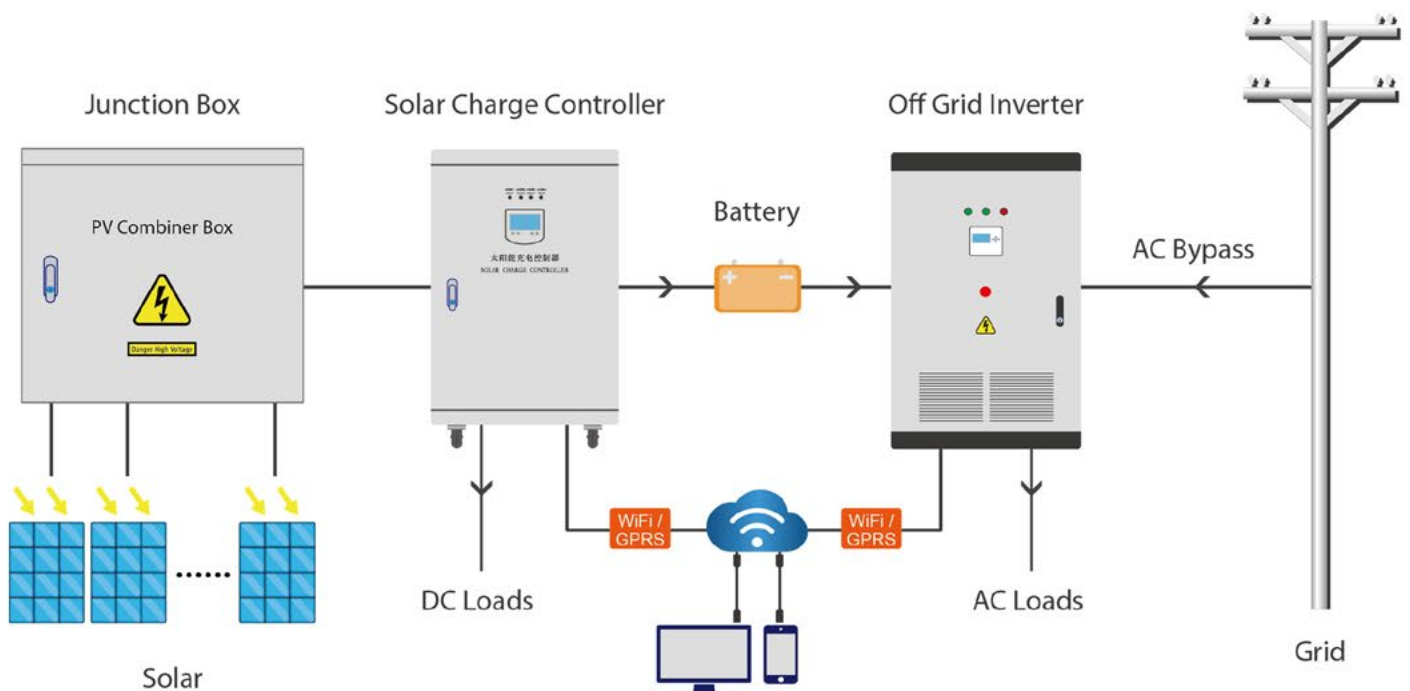


150KVA off grid three phase inverter technical data sheet

Type		NB360-150KSZ	NB480-150KSZ
DC input	Input rated voltage	360 V _{DC}	480 V _{DC}
	Input rated current	463A	347 A
	Input DC voltage range	300-465 V _{DC}	400-620 V _{DC}
AC input (AC Bypass)	Allow input voltage range	220 V _{AC} / 380 V _{AC} / 400 V _{AC} ± 15% V _{AC}	
	Input rated current	385A / 227A / 217A	
	Bypass transfer time	≤100 ms (Can be customized ≤ 4ms version)	
AC output	Rated capacity	150KVA	
	Output rated power	120KW	
	Output rated voltage and frequency	220 V _{AC} / 380 V _{AC} / 400 V _{AC} , 50Hz / 60Hz	
	Output rated current	385A / 227A / 217A	
	Output voltage accuracy	220 V _{AC} / 380 V _{AC} / 400 V _{AC} ± 1%	
	Output frequency accuracy	50Hz / 60Hz ±0.05%	
	Waveform distortion (THD). (Linear load)	≤3%	
	Dynamic response time (Load 0↔100%)	2ms	
	Power factor (PF)	0.8	
	Overload capacity	110%,3 minutes,150%,5 seconds	
	Crest factor (CF)	3:1	
	Inverter efficiency	90%	
Working Environment	Dielectric strength	1500VAC,1minute	
	Noise (1m)	≤50dB	
	Ambient temperature	-10°C~+50°C	
	Humidity	0~90%,No condensation	
	Altitude	< 2000m (Higher than 2000m rated power should be reduced)	
Pure Sine Wave	Yes		
Equipped with copper transformer	Yes, 3 pieces, make the inverter stable and safe, durable		
Battery priority	Optional		
Grid Power priority	Optional		
Production function	Input reverse protection, input under-voltage protection, output overload protection, output short circuit protection, thermal protection		
Size(mm)	1600*1000*2000mm		
Weight(kg)	1000kg		

Pure Sine Wave Inverter

- ◆ Pure sine wave output .
- ◆ Low frequency toroidal transformer increase efficiency.
- ◆ Wide input voltage range.
- ◆ Circuit frame compact, Max. Efficiency≥90%.
- ◆ Using IGBT from Mitsubishi company as the power components.
- ◆ Using American ATEMEL company microprocessor as figure controller.
- ◆ Perfect protection and warning functions .
- ◆ Touch screen, perfect display, interface-friendly.
- ◆ Supports diesel or gasoline generator, adapt any tough electricity situation.
- ◆ RS232/485/WIFI/GPRS communication port optional.



200KVA off grid three phase inverter technical parameters

Type		NB380-200KSZ	NB480-200KSZ
DC input	Input rated voltage	380 V _{DC}	480 V _{DC}
	Input rated current	585 A	463 A
	Input DC voltage range	320-496 V _{DC}	400-620 V _{DC}
AC input (AC Bypass)	Allow input voltage range	220 V _{AC} / 380 V _{AC} / 400 V _{AC} ± 15% V _{AC}	
	Input rated current	550A / 300A / 290A	
	Bypass transfer time	≤100 ms (Can be customized ≤ 4ms version)	
AC output	Rated capacity	200KVA	
	Output rated power	160KW	
	Output rated voltage and frequency	220 V _{AC} / 380 V _{AC} / 400 V _{AC} , 50Hz / 60Hz	
	Output rated current	550A / 300A / 290A	
	Output voltage accuracy	220 V _{AC} / 380 V _{AC} / 400 V _{AC} ± 1%	
	Output frequency accuracy	50Hz / 60Hz ±0.05%	
	Waveform distortion (THD). (Linear load)	≤3%	
	Dynamic response time (Load 0↔100%)	2ms	
	Power factor (PF)	0.8	
	Overload capacity	110%,3 minutes,150%,5 seconds	
	Crest factor (CF)	3:1	
	Inverter efficiency	90%	
	Working Environment	Dielectric strength	1500VAC,1minute
Noise (1m)		≤50dB	
Ambient temperature		-10°C~+50°C	
Humidity		0~90%,No condensation	
Altitude		< 2000m (Higher than 2000m rated power should be reduced)	
Production function	Input reverse protection, input under-voltage protection, output overload protection, output short circuit protection, thermal protection		
Pure Sine Wave	Yes		
Equipped with copper transformer	Yes		
AC Charger	Optional		
Solar Charger	Optional		
Generator port	Optional		
Size(mm)	1600*1000*2000mm		
Weight(kg)	1400kg		



250KVA off grid three phase inverter technical specifications

Type		NB380-250KSZ	NB480-250KSZ
DC input	Input rated voltage	380 V _{DC}	480 V _{DC}
	Input rated current	731 A	579 A
	Input DC voltage range	320-496 V _{DC}	400-620 V _{DC}
AC input (AC Bypass)	Allow input voltage range	220 V _{AC} / 380 V _{AC} / 400 V _{AC} ± 15% V _{AC}	
	Input rated current	688A / 375A / 363A	
	Bypass transfer time	≤100 ms (Can be customized ≤ 4ms version)	
AC output	Rated capacity	250KVA	
	Output rated power	200KW	
	Output rated voltage and frequency	220 V _{AC} / 380 V _{AC} / 400 V _{AC} , 50Hz / 60Hz	
	Output rated current	688A / 375A / 363A	
	Output voltage accuracy	220 V _{AC} / 380 V _{AC} / 400 V _{AC} ± 1%	
	Output frequency accuracy	50Hz / 60Hz ±0.05%	
	Waveform distortion (THD). (Linear load)	≤3%	
	Dynamic response time (Load 0↔100%)	2ms	
	Power factor (PF)	0.8	
	Overload capacity	110%,3 minutes,150%,5 seconds	
	Crest factor (CF)	3:1	
	Inverter efficiency	≥96%	
Working Environment	Dielectric strength	1500VAC,1minute	
	Noise (1m)	≤50dB	
	Ambient temperature	-10°C~+50°C	
	Humidity	0~90%,No condensation	
	Altitude	< 2000m (Higher than 2000m rated power should be reduced)	
Production function	Input reverse protection, input under-voltage protection, output overload protection, output short circuit protection, thermal protection		
Equipped with copper transformer		Yes, 3 pcs	
Pure Sine Wave		Yes	
Size(mm)	Product Size: 1460*860*182mm	Package Size: 1600*1000*2000mm	
Weight(kg)	Product Weight: 1200kg	Package Weight: 1400kg	



300KVA off grid three phase inverter technical parameters

Type	NB480-300KSZ	
DC input	Input rated voltage	480 V _{DC}
	Input rated current	694 A
	Input DC voltage range	400-620 V _{DC}
AC input (AC Bypass)	Allow input voltage range	220 V _{AC} / 380 V _{AC} / 400 V _{AC} ± 15% V _{AC}
	Input rated current	830A / 450A / 430A
	Bypass transfer time	≤100 ms (Can be customized ≤ 4ms version)
AC output	Rated capacity	300KVA
	Output rated power	240KW
	Output rated voltage and frequency	220 V _{AC} / 380 V _{AC} / 400 V _{AC} , 50Hz / 60Hz
	Output rated current	830A / 450A / 430A
	Output voltage accuracy	220 V _{AC} / 380 V _{AC} / 400 V _{AC} ± 1%
	Output frequency accuracy	50Hz / 60Hz ±0.05%
	Waveform distortion (THD). (Linear load)	≤3%
	Dynamic response time (Load 0→100%)	2ms
	Power factor (PF)	0.8
	Overload capacity	110%,3 minutes,150%,5 seconds
	Crest factor (CF)	3:1
	Inverter efficiency	90%
	Working Environment	Dielectric strength
Noise (1m)		≤50dB
Ambient temperature		-10°C~+50°C
Humidity		0~90%, No condensation
Altitude		< 2000m (Higher than 2000m rated power should be reduced)
Production function	Input reverse protection, input under-voltage protection, output overload protection, output short circuit protection, thermal protection	
Pure Sine Wave	Yes	
Equipped with copper transformer	Yes	
AC Charger	Optional	
Solar Charger	Optional	
Generator port	Optional	
Product Size(mm)	1910*1160*1880mm	
Product Weight(kg)	1500kg	



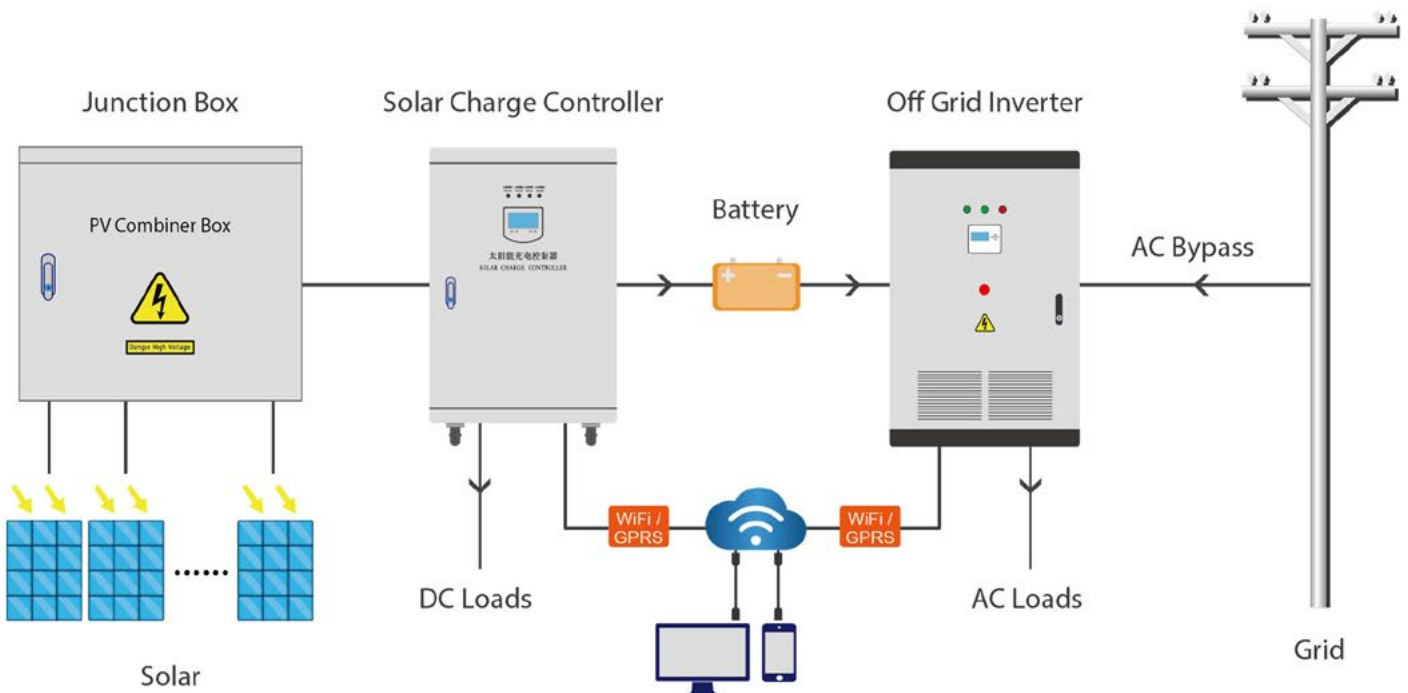
400KVA off grid three phase inverter data sheet

Type	NB480-400KSZ	
DC input	Input rated voltage	480 V _{DC}
	Input rated current	926 A
	Input DC voltage range	400-620 V _{DC}
AC input (AC Bypass)	Allow input voltage range	220 V _{AC} / 380 V _{AC} / 400 V _{AC} ± 15% V _{AC}
	Input rated current	1024A / 608A / 580A
	Bypass transfer time	≤100 ms (Can be customized ≤ 4ms version)
AC output	Rated capacity	400KVA
	Output rated power	320KW
	Output rated voltage and frequency	220 V _{AC} / 380 V _{AC} / 400 V _{AC} , 50Hz / 60Hz
	Output rated current	1024A / 608A / 580A
	Output voltage accuracy	220 V _{AC} / 380 V _{AC} / 400 V _{AC} ± 1%
	Output frequency accuracy	50Hz / 60Hz ±0.05%
	Waveform distortion (THD). (Linear load)	≤3%
	Dynamic response time (Load 0↔100%)	2ms
	Power factor (PF)	0.8
	Overload capacity	110%,3 minutes,150%,5 seconds
	Crest factor (CF)	3:1
Inverter efficiency	90%	
Working Environment	Dielectric strength	1500VAC,1minute
	Noise (1m)	≤50dB
	Ambient temperature	-10°C~+50°C
	Humidity	0~90%,No condensation
	Altitude	< 2000m (Higher than 2000m rated power should be reduced)
Equipped with copper transformer	Yes, 3 pcs	
Pure Sine Wave	Yes	
AC Bypass	Yes, when there is no enough battery power, will switch to Grid	
AC Charger	Available, which is customized according to battery info	
Production function	Input reverse protection, input under-voltage protection, output overload protection, output short circuit protection, thermal protection	
Product Size	1910*1160*1880mm	
Product Weight	1500-1800kg	



Pure Sine Wave Inverter

- ◆ Pure sine wave output .
- ◆ Low frequency toroidal transformer increase efficiency.
- ◆ Wide input voltage range.
- ◆ Circuit frame compact, Max. Efficiency \geq 90%.
- ◆ Using IGBT from Mitsubishi company as the power components.
- ◆ Using American ATEMEL company microprocessor as figure controller.
- ◆ Perfect protection and warning functions .
- ◆ Touch screen, perfect display, interface-friendly.
- ◆ Supports diesel or gasoline generator, adapt any tough electricity situation.
- ◆ RS232/485/WIFI/GPRS communication port optional.



500KVA off grid three phase inverter data sheet

Type	NB480-500KSZ	
DC input	Input rated voltage	480 V _{DC}
	Input rated current	1157 A
	Input DC voltage range	400-620 V _{DC}
AC input (AC Bypass)	Allow input voltage range	220 V _{AC} / 380 V _{AC} / 400 V _{AC} ± 15% V _{AC}
	Input rated current	1280A / 760A / 725A
	Bypass transfer time	≤100 ms (Can be customized ≤ 4ms version)
AC output	Rated capacity	500KVA
	Output rated power	400KW
	Output rated voltage and frequency	220 V _{AC} / 380 V _{AC} / 400 V _{AC} , 50Hz / 60Hz
	Output rated current	1280A / 760A / 725A
	Output voltage accuracy	220 V _{AC} / 380 V _{AC} / 400 V _{AC} ± 1%
	Output frequency accuracy	50Hz / 60Hz ±0.05%
	Waveform distortion (THD). (Linear load)	≤3%
	Dynamic response time (Load 0↔100%)	2ms
	Power factor (PF)	0.8
	Overload capacity	110%,3 minutes,150%,5 seconds
	Crest factor (CF)	3:1
	Inverter efficiency	90%
Working Environment	Dielectric strength	1500VAC,1minute
	Noise (1m)	≤50dB
	Ambient temperature	-10°C~+50°C
	Humidity	0~90%,No condensation
	Altitude	< 2000m (Higher than 2000m rated power should be reduced)
Equipped with copper transformer		Yes
Pure Sine Wave		Yes
AC Charger		Optional
Solar Charger		Optional
Generator port		Optional
Production function	Input reverse protection, input under-voltage protection, output overload protection, output short circuit protection, thermal protection	
Product Size	1910*1160*1880mm	
Product Weight	1500-1800kg	



600KVA off grid three phase inverter technical parameters

Type	NB480-600KSZ	
DC input	Input rated voltage	480 V _{DC}
	Input rated current	1389 A
	Input DC voltage range	400-620 V _{DC}
AC input (AC Bypass)	Allow input voltage range	220 V _{AC} / 380 V _{AC} / 400 V _{AC} ± 15% V _{AC}
	Input rated current	1550A / 910A / 870A
	Bypass transfer time	≤100 ms (Can be customized ≤ 4ms version)
AC output	Rated capacity	600KVA
	Output rated power	480KW
	Output rated voltage and frequency	220 V _{AC} / 380 V _{AC} / 400 V _{AC} , 50Hz / 60Hz
	Output rated current	1550A / 910A / 870A
	Output voltage accuracy	220 V _{AC} / 380 V _{AC} / 400 V _{AC} ± 1%
	Output frequency accuracy	50Hz / 60Hz ±0.05%
	Waveform distortion (THD). (Linear load)	≤3%
	Dynamic response time (Load 0←→100%)	2ms
	Power factor (PF)	0.8
	Overload capacity	110%,3 minutes,150%,5 seconds
	Crest factor (CF)	3:1
	Inverter efficiency	96%
Working Environment	Dielectric strength	1500VAC,1minute
	Noise (1m)	≤50dB
	Ambient temperature	-10°C~+50°C
	Humidity	0~90%,No condensation
	Altitude	< 2000m (Higher than 2000m rated power should be reduced)
Production function	Input reverse protection, input under-voltage protection, output overload protection, output short circuit protection, thermal protection	
Equipped with copper transformer	Yes	
Pure Sine Wave	Yes	
AC Charger	Optional	
Solar Charger	Optional	
Generator port	Optional	
Product Size	1910*1160*1880mm	
Product Weight	1800kg	





JINAN DEMING POWER EQUIPMENT CO.,LTD



<http://www.demingpower.com>



0086-531-85662088 \ 85662275



No. 8666 ERHUAN NORTH ROAD, TIANQIAO DISTRICT
JINAN CITY, SHANDONG PROVINCE, CHINA