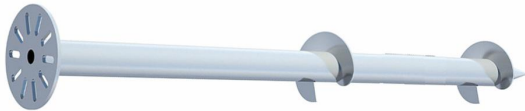


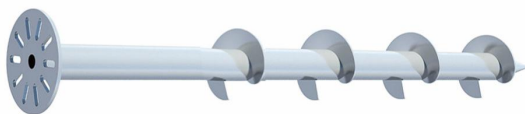
>> Ground Screw



● Standard Ground Screw



● Two Blades Ground Screw



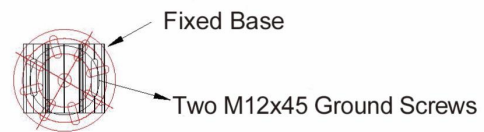
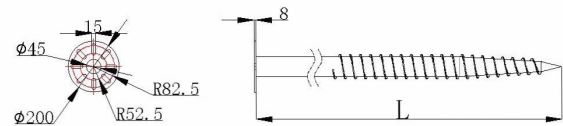
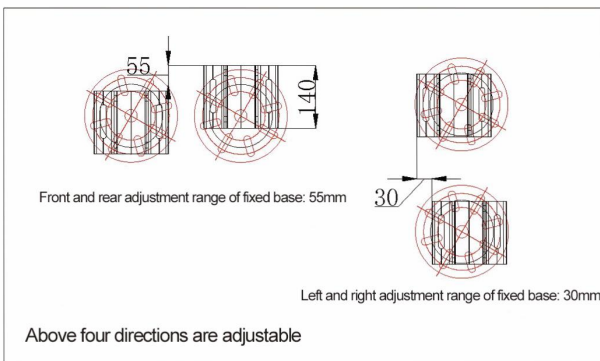
● Four Blades Ground Screw



● Adjustable Ground Screw



● Adjusting Rod



■ Ground screw is widely used as the basis of solar mounting system. Each of our ground screw is galvanized and durable, it is capable to resist rustiness and corrosion. There're various kinds of ground screws in accordance with different circumstances. Customized products and consultation are acceptable.

Bearing Capacity of Ground Screw

Product No.	Diameter (mm)	Diameter of Flange Plate (mm)	Wall Thickness (mm)	Pullout Force (KN)					
				Cohesive Soil			Sandy Soil		
				3	5	10	3	5	10
NS-F76A-1600-T3	76	200	3	10.11	16.92	33.88	23.45	33.45	58.51
NS-F76A-1800-T3	76	200	3	11.55	19.33	38.69	24.88	34.99	59.69
NS-F76A-2000-T3	76	200	3	13.02	21.75	43.55	25.89	35.98	60.88
NS-2F76A-1600-T3.5	76	220	3.5	10.11	16.92	33.88	23.45	33.45	58.51
NS-2F76A-1800-T3.5	76	220	3.5	11.55	19.33	38.69	24.88	34.99	59.69
NS-2F76A-2000-T3.5	76	220	3.5	13.02	21.75	43.55	25.89	35.98	60.88

● Note: The maximum load noted above is for reference only. It is related to geological conditions such as ground mode and hardness.