



ALUMINUM SOLAR MOUNTING SYSTEM



XIAMEN STRAWIN SOLAR TECHNOLOGY CO.,LTD

☆ **PROFESSION** ☆ **INNOVATION** ☆ **HONESTY** ☆



ABOUT US

STARWIN SOLAR is a high-tech enterprise that integrates R&D, production and marketing of Solar Mounting System for residential, commercial and utility scale customers. We have our own aluminum profile factory located in Zhangzhou, Fujian. Quality first is what we value most. Our products are exported to various countries like: Japan, Philippines, UAE, UK, Australia and other Asian countries. We sincerely hope there is chance to work with you too.

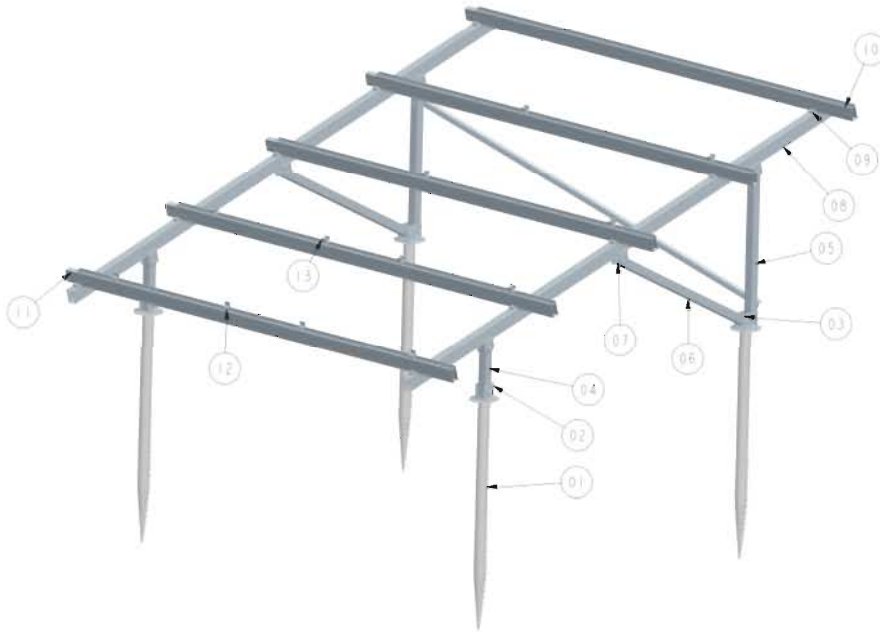
OUR PRODUCTS

- 1、 All-aluminum ground mounting system (ground screw)
- 2、 All-aluminum ground mounting system (concrete)
- 3、 Farm mounting system
- 4、 Carport mounting system

OUR ADVANTAGES

- 1、 Own factory: Quality control, Competitive price and Well delivery time
- 2、 Warranty time : 10 years'warranty and over 20 years'service life
- 3、 Easy & fast installation: Brackets are pre-assembled in our factory ahead, which can highly save your installing time .

GROUND MOUNTING SYSTEM



Cap

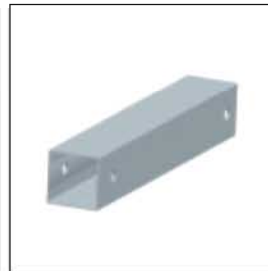
COMPONENTS



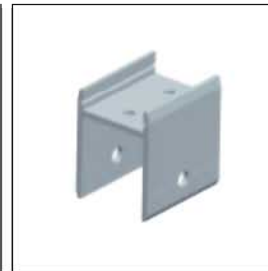
01, GROUND SCREW



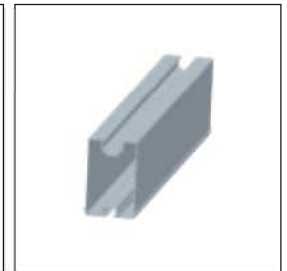
02, 03, BASE



04, FRONT LEG
05, BACK LEG
06, SQUARE PIPE



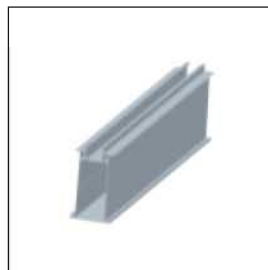
07, H SHAPE CLAMP



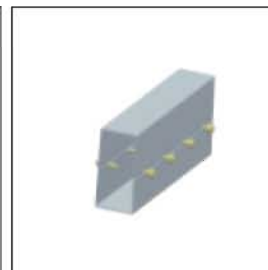
08, PORTRAIT BEAM



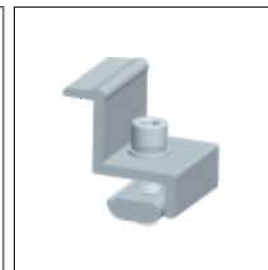
09, RAIL CLAMP



10, RAIL



11, RAIL CONNECTOR

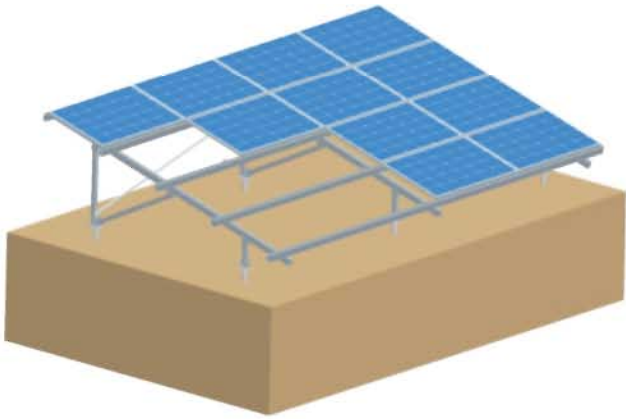


12, END CLAMP



13, MIDDLE CLAMP

ALL-ALUMINUM GROUND MOUNTING SYSTEM(GROUND SCREW)

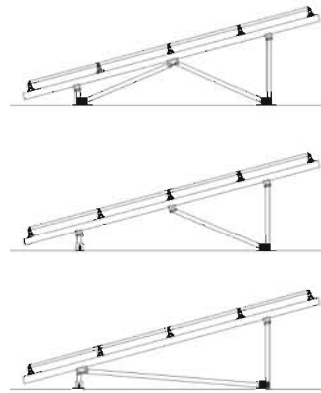


SAFE & EASY

- All Aluminum AL6005-T5
- Easy Installation
- 10 years' warranty, 20years' duration



Pre-assembled Bracket



Different Types Of Ground Mounting System

INSTALLATION OF GROUND SCREW



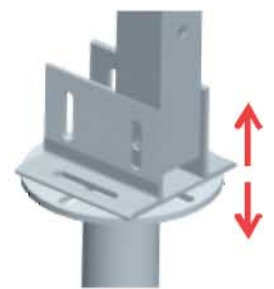
M12*40 Bolt



Front & Back 50mm Adjustable



Right & Left 40mm Adjustable



UP & Down 50mm Adjustable

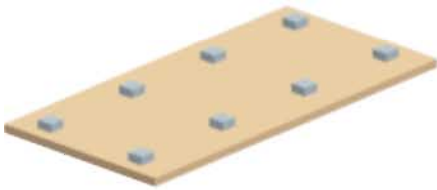
AII-ALUMINUM GROUND MOUNTING SYSTEM(CONCRETE)



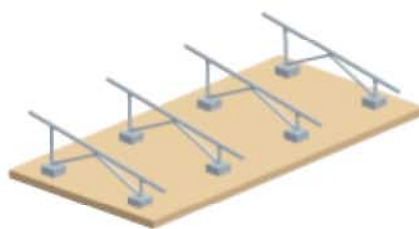
TECHNICAL INFORMATION

1. Max Wind Speed:VO=46m/s
2. Snow Load:1.4KN/m²
3. Tilt Angle: 0°- 60°
4. Easy Installation

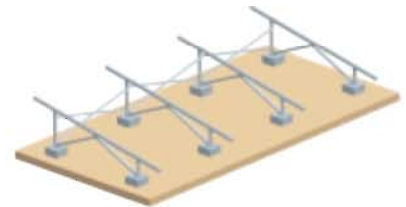
INSTALLATION



Embedded Concrete Foundation



Pre-assembled Bracket Installation



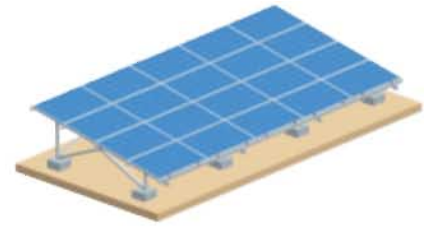
Back strengthening Bar Installation



Rail Installation

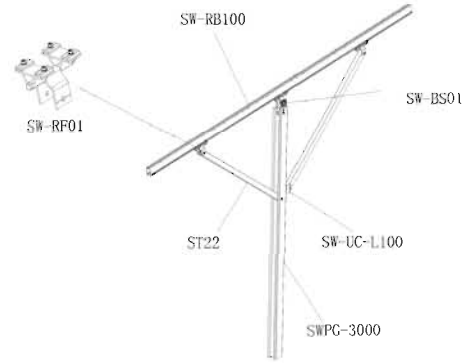


Solar Components Installation

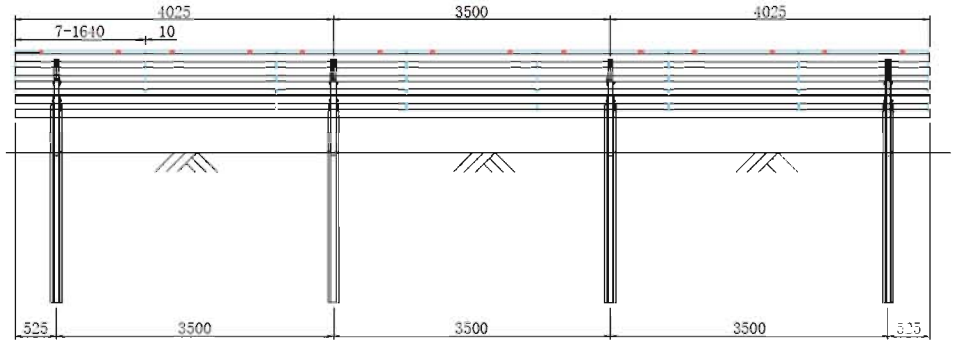
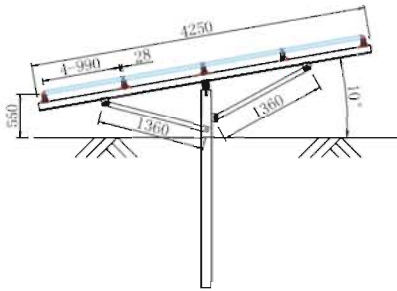


Finish

SINGLE PIPE MOUNTING SYSTEM



DRAWING



MAIN COMPONENTS



SW-BS0

SW-UC-L100

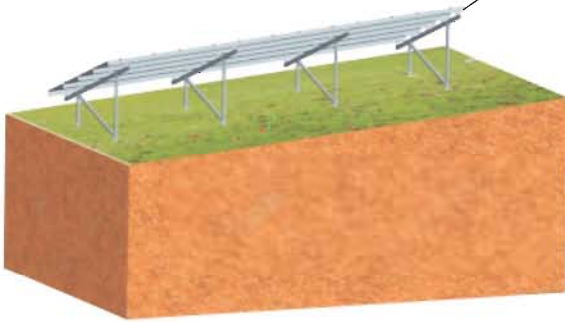
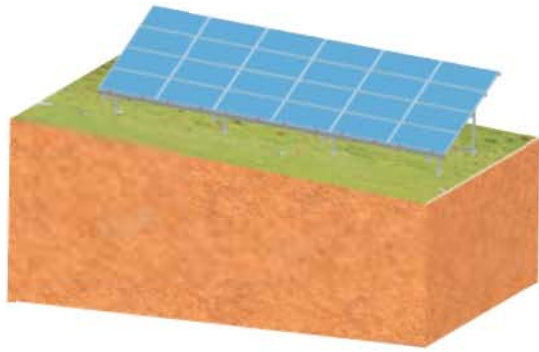
SWPG-3000

ST21

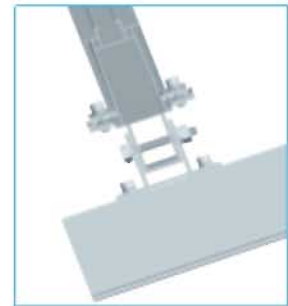
SW-RB100

SW-RF01

EAST & WEST ADJUSTABLE MOUNTING SYSTEM



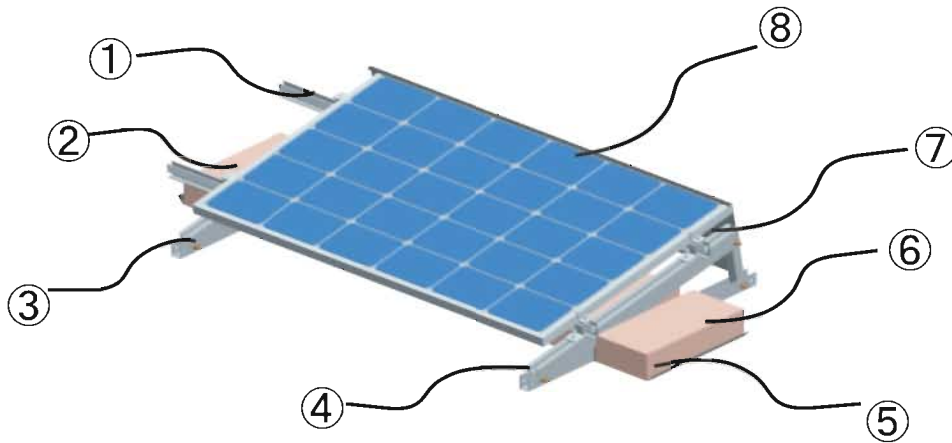
Information
Installation Site: Slope
Angle: 0°-60°



ADJUSTABLE MOUNTING SYSTEM PROJECTS



FLAT ROOF MOUNTING SYSTEM



MAIN COMPONENTS:



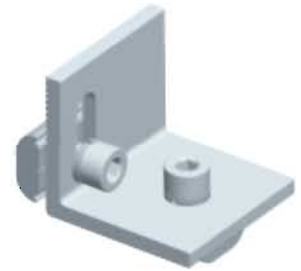
1. Mid Clamp



2. Rail



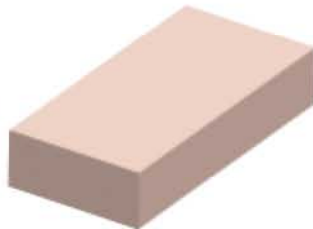
3. Console



4. Rail Clamp



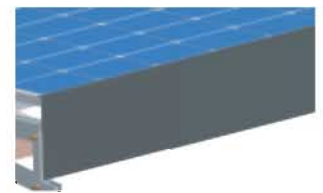
5. Concrete Carrier



6. Concrete Block

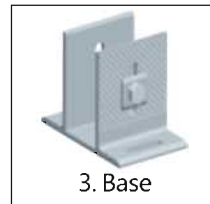
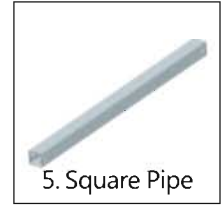
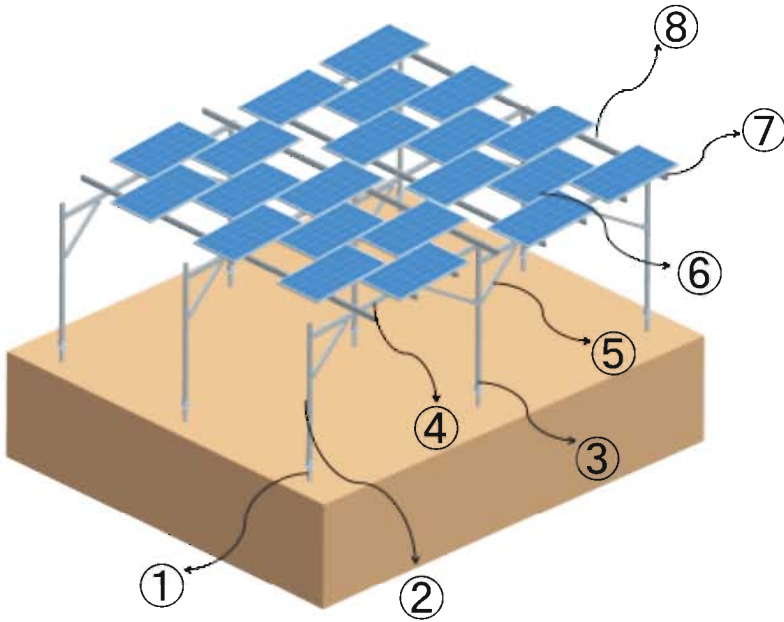


7. End Clamp

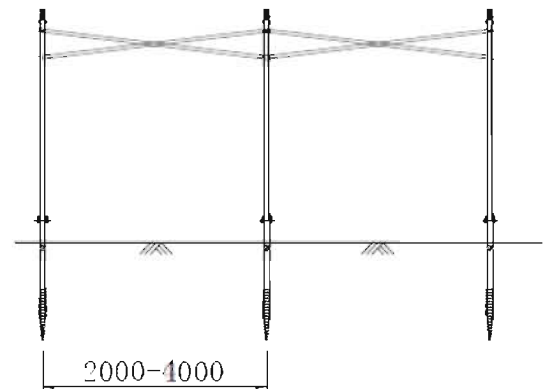
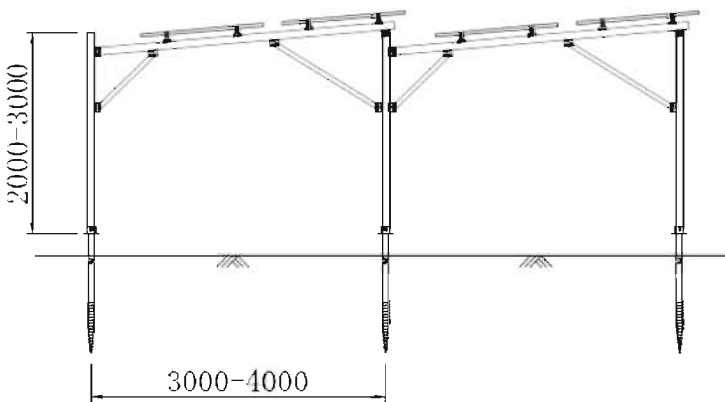


8. Rear Plate

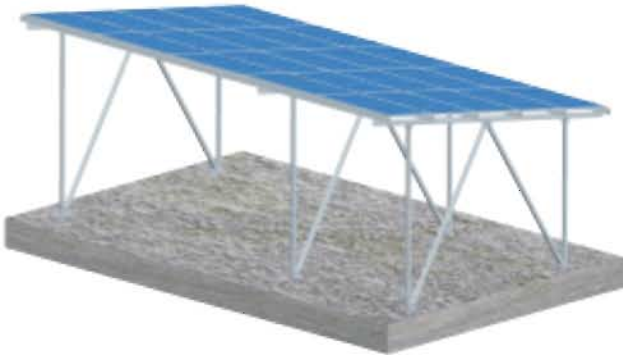
FARM MOUNTING SYSTEM



DRAWING



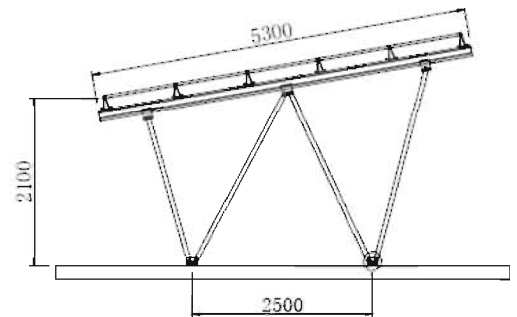
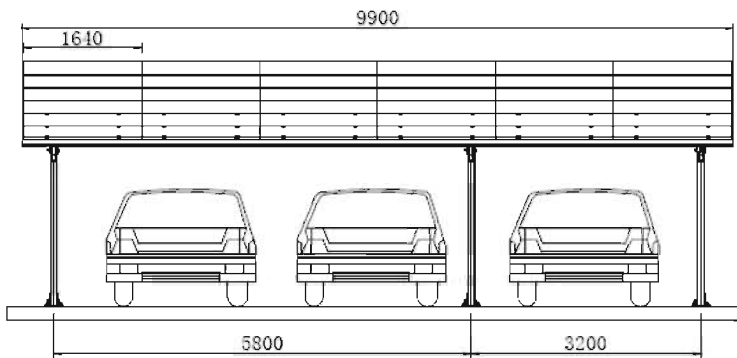
CARPORT MOUNTING SYSTEM



Technical Information

1. Max Wind Speed: $V_0=46\text{m/s}$
2. Snow Load: 1.4KN/m^2
3. Tilt Angle: $0^\circ-30^\circ$
4. Easy Installation

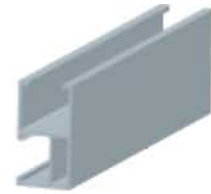
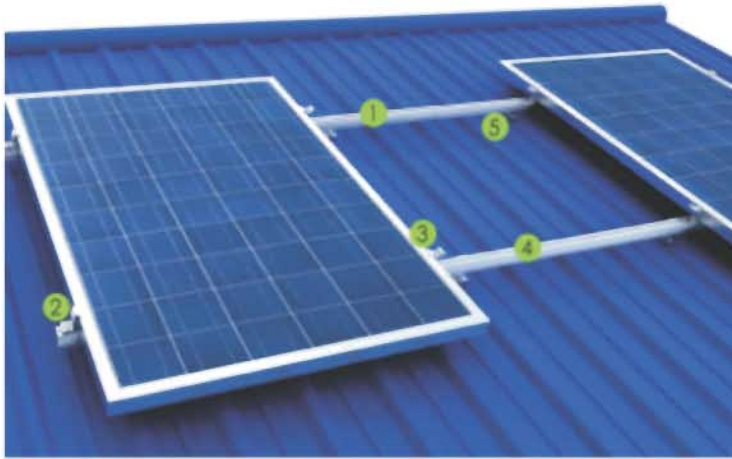
DRAWING



PROJECTS



METAL ROOF MOUNTING SYSTEM



1. Rail



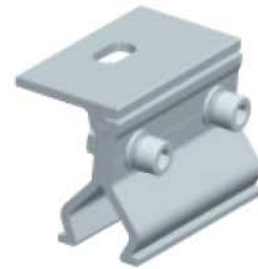
2. End Clamp



3. Mid Clamp

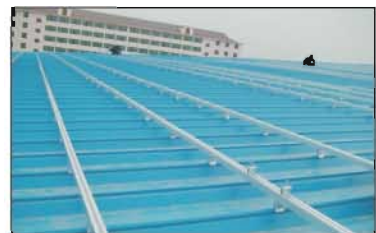
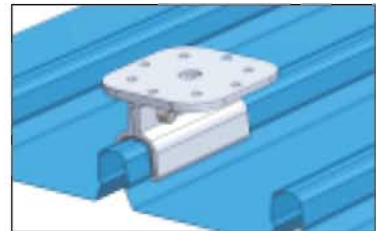
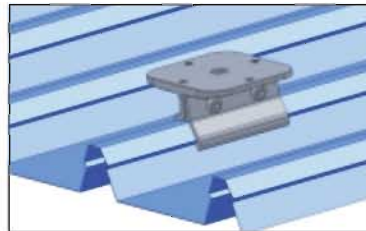


4. Rail Connector



5. Roof Profile

PICTURES



GROUND SCREW TYPES:



Normal Ground Screw



Ground Screw with Big Spiral Blades

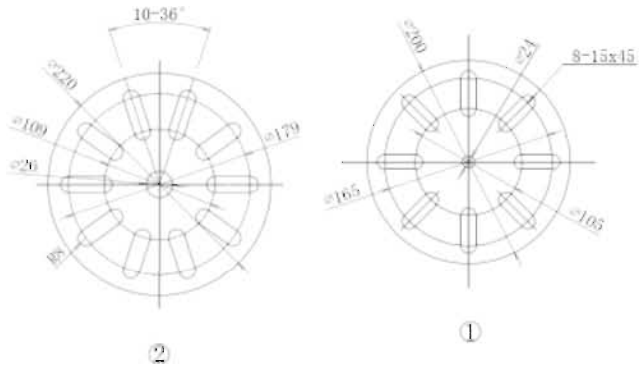


Adjustable Ground Screw

Material: Hot-dip Galvanized $\geq 80 \mu m$
 Diameter: $\Phi 76mm$
 Flange Diameter: 200mm or 220mm
 Length: 1200mm to 3500mm

FLANGE TYPES:

Diameter mm	Thickness mm	Fc KN	Ft KN	Fh KN
76	3.0	32.00	20.00	8.5



| Fc | Ft — Fh



Fc: Compressive Force
 Ft: Tensile Force
 Fh: Horizontal Force

Test Report

No. : XMIN1503001270ML_CN
 Date: 2015-03-25
 Page: 4 of 4



OTHER ACCESSORIES:

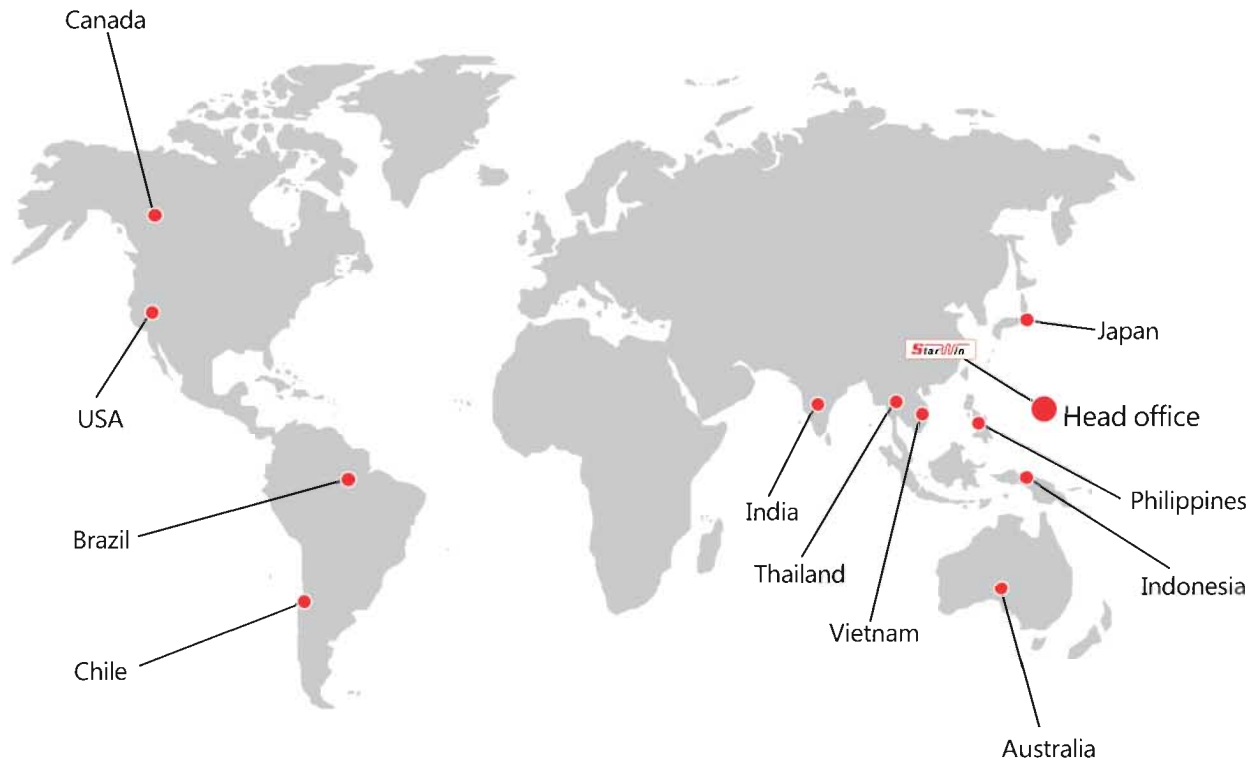
FENCE



SHEET



SOLAR MOUNTING SOLUTIONS



XIAMEN STARWIN SOLAR TECHNOLOGY CO.LTD
Add: Room 1006, Xinyuan building , XingLong Road,
Huli District, Xiamen, China

Tel: 0086-592-2076010

Fax: 0086-592-2076009

E-mail: info@starwinsolar.com

Web: www.starwinsolar.com

