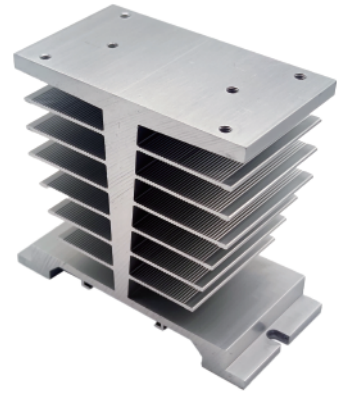


Product Description

- ◆ Material: 6063-T5
- ◆ Surface treatment: Anode Oxidation (Natural color)
- ◆ Suitable for KSI and KMTYM series panel mounted SSR
- ◆ Available with screw installation



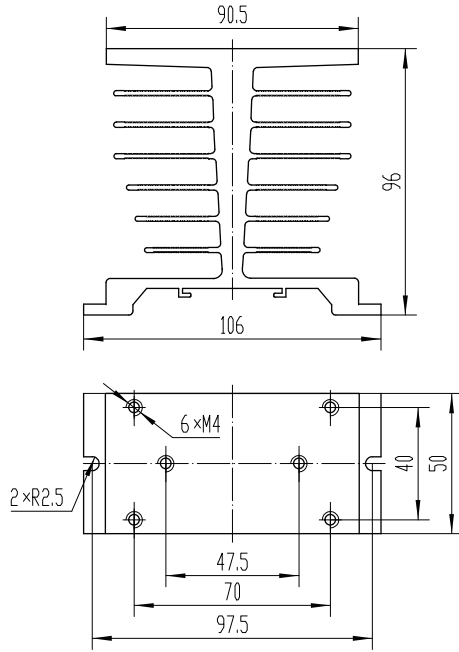
Ordering Information

KHS	-D	50	-F	24DC
KHS Series	Series D: D Series	Length 50: 50mm 110: 110mm	Accessory Blank: No Accessory F: Fan	Fan Voltage 24DC: 24Vd.c. 220AC: 220Va.c.

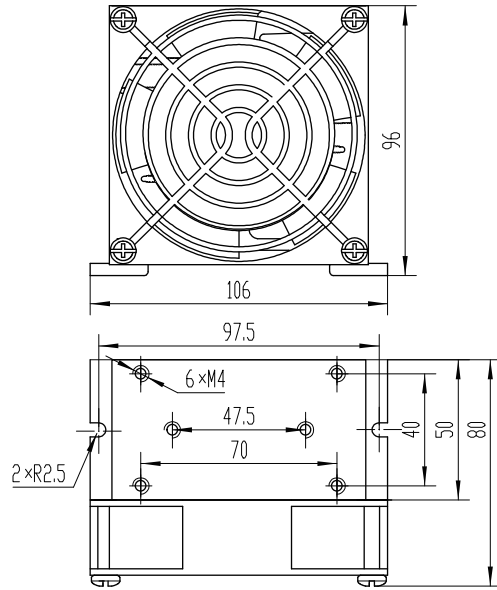
General Specifications

Series	D Series			
Part Number	KHS-D50	KHS-D50-F	KHS-D110	KHS-D110-F
Photo				
Material	6063-T5	6063-T5	6063-T5	6063-T5
Thermal Resistance	1.6 C/W	0.6 C/W	0.8 C/W	0.35 C/W
Net Weight(Typical)	334g	616g	736g	1018g
Outer Dimension	96mm×106mm×50mm	96mm×106mm×80mm	96mm×106mm×110mm	96mm×106mm×140mm
Installation mode	Screw	Screw	Screw	Screw
Recommended size of mounting hole	101.5mm	101.5mm	101.5mm×60mm	101.5mm×60mm
Suitable for	SSR with mounting hole spacing of 47.5mm、40mm×70mm, such as KSI、KMTYM series	SSR with mounting hole spacing of 47.5mm、40mm×70mm, such as KSI、KMTYM series	SSR with mounting hole spacing of 47.5mm、40mm×70mm、47.5mm×91.8mm, such as KSI、KMTYM、KSQF series	SSR with mounting hole spacing of 47.5mm、40mm×70mm、47.5mm×91.8mm, such as KSI、KMTYM、KSQF series

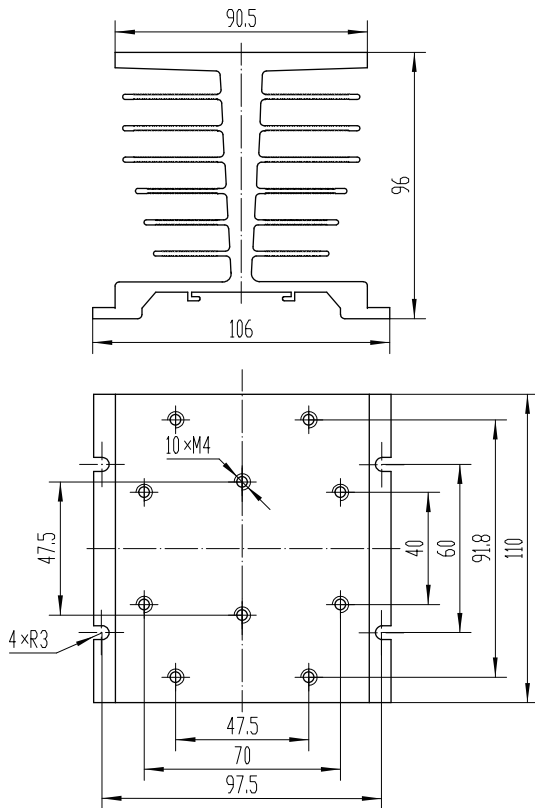
Outline Dimensions



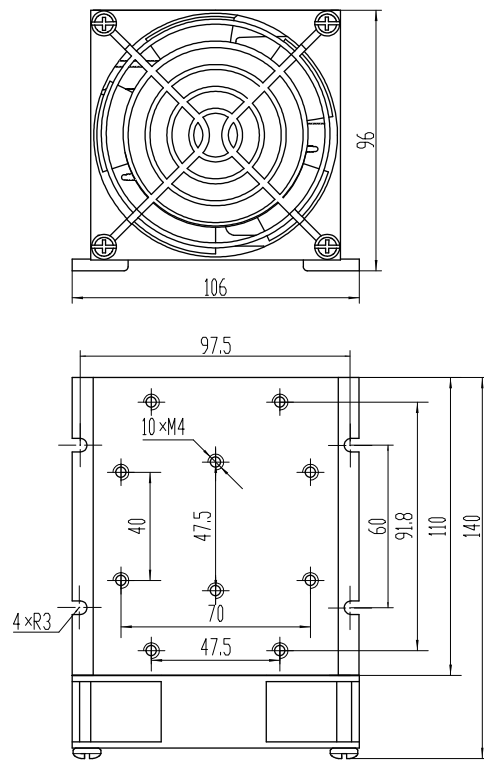
KHS-D50



KHS-D50-F



KHS-D110



KHS-D110-F