

Product Description

- ◆ Zero-crossing or Random-on Switching
- ◆ Load current: 25A-60A@48-660VAC
- ◆ TRIAC or SCR Output
- ◆ AC or DC Input Control
- ◆ Dielectric Strength: 4000Vrms
- ◆ LED Indicator
- ◆ Internal TVS Protection(Optional)
- ◆ Protective cover KPC-0A (Optional)



Ordering Information

KSI	240	D	25	R	-L	T	(XXX)	+KPC-0A
KSI Series	Load Voltage 240: 240VAC 480: 480VAC 600: 600VAC	D: DC Control A: AC Control	Load Current 25: 25Amp 40: 40Amp 60: 60Amp	Switching Mode Blank: Zero Crossing R: Random-on	LED Indicator	T: TVS (Optional)	Blank: Standard 016: Quick Connection Other: Customized Code	Optional

Note:

- The feature number (016) series is the structure of fast connection terminal, the current optional range is 25A~40A, among which the products of KSI(240,380)xxx25xxx(016) series are TRIAC output, the products of KSI(480,600)xxx25xxx(016) series and KSI(480,600)xxx40xxx(016) series are SCR output.
- Conventional KSI series are bolt structure, and the current range is 25A~60A, among which KSI(240,380)xxx25xxx series products are TRIAC output, KSI(480,600)xxx25xxx series products and KSIxxx40xxx series products and KSIxxx60xxx series products are SCR output.

KSI Series

Information	25A	40A	60A
D:4-32VDC	KSI240D25-L	KSI240D40-L	KSI240D60-L
	KSI240D25R-L	KSI240D40R-L	KSI240D60R-L
	KSI480D25-L	KSI480D40-L	KSI480D60-L
	KSI480D25R-L	KSI480D40R-L	KSI480D60R-L
	KSI600D25-L	KSI600D40-L	KSI600D60-L
	KSI600D25R-L	KSI600D40R-L	KSI600D60R-L
	KSI240D25-LT	KSI240D40-LT	KSI240D60-LT
	KSI240D25R-LT	KSI240D40R-LT	KSI240D60R-LT
	KSI480D25-LT	KSI480D40-LT	KSI480D60-LT
	KSI480D25R-LT	KSI480D40R-LT	KSI480D60R-LT
	KSI600D25-LT	KSI600D40-LT	KSI600D60-LT
	KSI600D25R-LT	KSI600D40R-LT	KSI600D60R-LT

Ordering Information

Information	25A	40A	60A
A:90-280VAC	KSI240A25-L	KSI240A40-L	KSI240A60-L
	KSI240A25R-L	KSI240A40R-L	KSI240A60R-L
	KSI480A25-L	KSI480A40-L	KSI480A60-L
	KSI480A25R-L	KSI480A40R-L	KSI480A60R-L
	KSI600A25-L	KSI600A40-L	KSI600A60-L
	KSI600A25R-L	KSI600A40R-L	KSI600A60R-L
	KSI240A25-LT	KSI240A40-LT	KSI240A60-LT
	KSI240A25R-LT	KSI240A40R-LT	KSI240A60R-LT
	KSI480A25-LT	KSI480A40-LT	KSI480A60-LT
	KSI480A25R-LT	KSI480A40R-LT	KSI480A60R-LT
	KSI600A25-LT	KSI600A40-LT	KSI600A60-LT
	KSI600A25R-LT	KSI600A40R-LT	KSI600A60R-LT

KSI (016) Series

Information	25A	40A
D:4-32VDC	KSI240D25-L(016)	KSI240D40-L(016)
	KSI240D25R-L(016)	KSI240D40R-L(016)
	KSI480D25-L(016)	KSI480D40-L(016)
	KSI480D25R-L(016)	KSI480D40R-L(016)
	KSI600D25-L(016)	KSI600D40-L(016)
	KSI600D25R-L(016)	KSI600D40R-L(016)
	KSI240D25-LT(016)	KSI240D40-LT(016)
	KSI240D25R-LT(016)	KSI240D40R-LT(016)
	KSI480D25-LT(016)	KSI480D40-LT(016)
	KSI480D25R-LT(016)	KSI480D40R-LT(016)
	KSI600D25-LT(016)	KSI600D40-LT(016)
	KSI600D25R-LT(016)	KSI600D40R-LT(016)

Technical parameters

Input Specifications (Ta=25°C)

Control Voltage Range	DC Control	4-32VDC
	AC Control	90-280VAC
Must Turn-on Voltage	DC Control	4VDC
	AC Control	90VAC
Must Turn-off Voltage	DC Control	1VDC
	AC Control	10VAC
Maximum Input Current	DC Control	25mA(32VDC)
	AC Control	25mA(@280VAC/50Hz)

Output Specifications (Ta=25°C)

Load Voltage Range(47~63Hz)	240VAC	48-280VAC
	480VAC	48-530VAC
	600VAC	48-660VAC
Load Current Range	25A	0.1-25A
	40A	0.1-40A
	60A	0.1-60A
Maximum Turn-on Time	Random-on	1ms
	Zero Crossing	1/2cycle+1ms
	AC Control	40ms
Maximum Turn-off Time	DC Control	1/2cycle+1ms
	AC Control	40ms
Maximum Surge Current (@10ms)	25A	250A
	40A	500A
	60A	700A

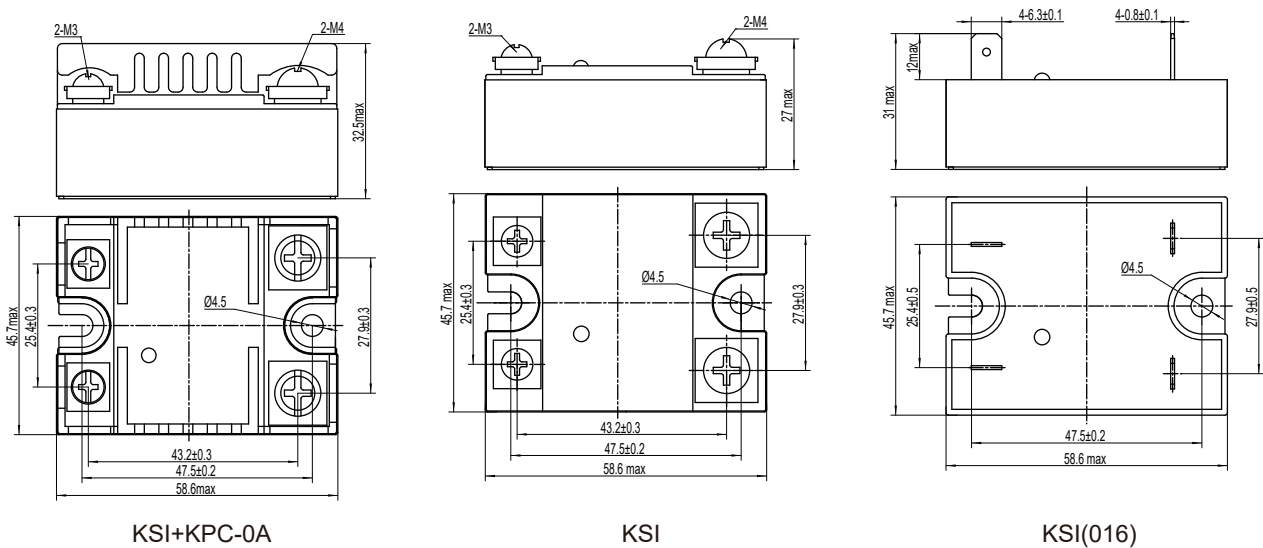
Output Specifications (Ta=25°C)		
Transient Overvoltage	KSI240D/AXXX-LXXX Series	600Vpk
	KSI480D/AXXX-LXXX Series	1200Vpk
	KSI600D/AXXX-LXXX Series	1600Vpk
Maximum Operating Voltage Allowed By Varistors	KSI240D/AXXX-LMXXX Series	300VAC
	KSI480D/AXXX-LMXXX Series	550VAC
	KSI600D/AXXX-LMXXX Series	680VAC
TVS Breakdown Voltage Range	KSI240D/AXXX-LTXXX Series	456~504V
	KSI480D/AXXX-LTXXX Series	912~1008V
	KSI600D/AXXX-LTXXX Series	1045~1155V
Maximum Off-State Leakage Current@Rated Load Voltage		10mA
Maximum On-State Voltage Drop@Rated Current		1.7Vrms
Minimum Off-State dv/dt @Maximum Rated Voltage	TRIAC Output	200V/μs
	SCR Output	500V/μs

General Specifications (Ta=25°C)		
Dielectric Strength (50/60Hz)	Input/Output	4000Vrms
	Input, output/Base	2500Vrms
Minimum Insulation Resistance (@500VDC)		1000MΩ
Ambient Temperature Range		-30°C ~ +80°C
Storage Temperature Range		-30°C ~ +100°C
Weight (Typical)	Standard Version	96g
	Suffix with (016)	100g

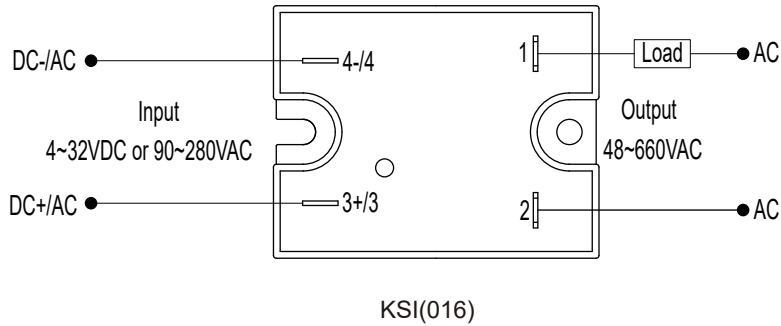
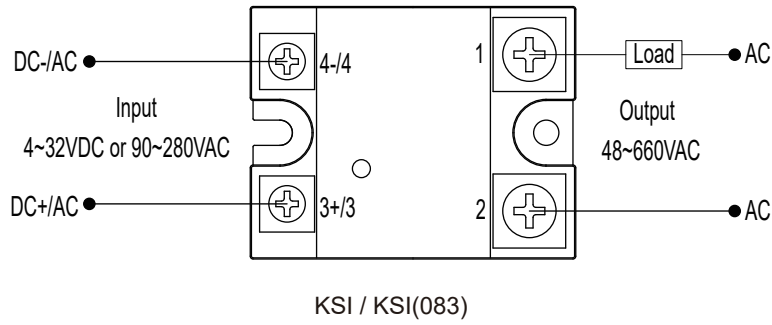
Application

Suitable for temperature chamber, oiler, air conditioning, lighting, fountain controller and other occasions.

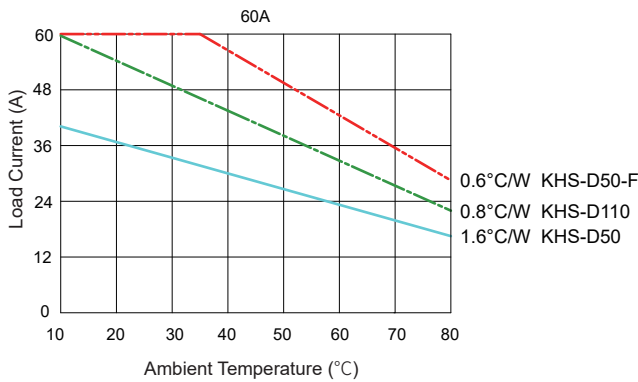
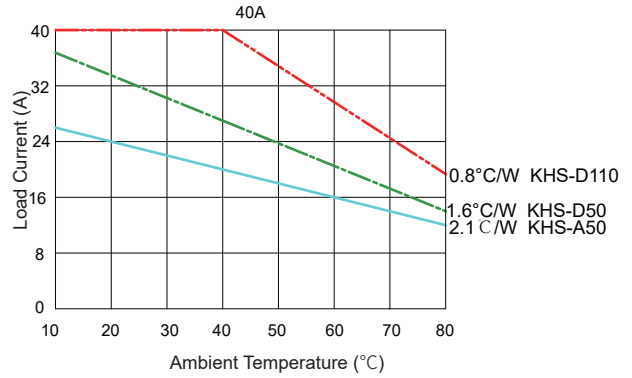
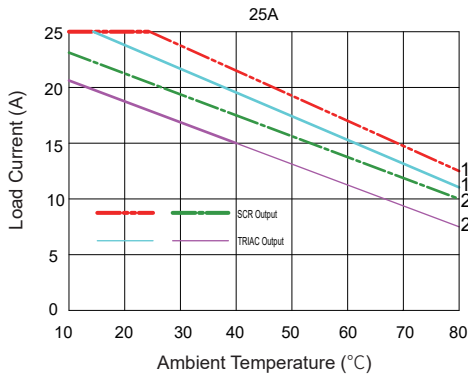
Installation



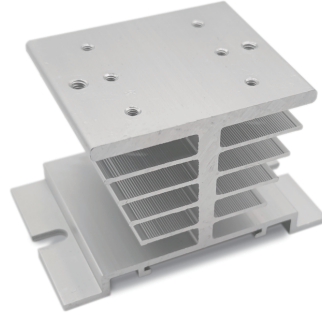
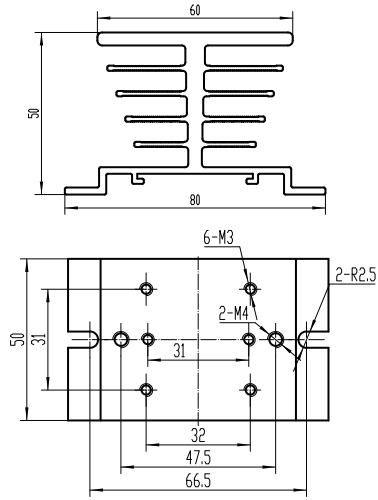
Wiring



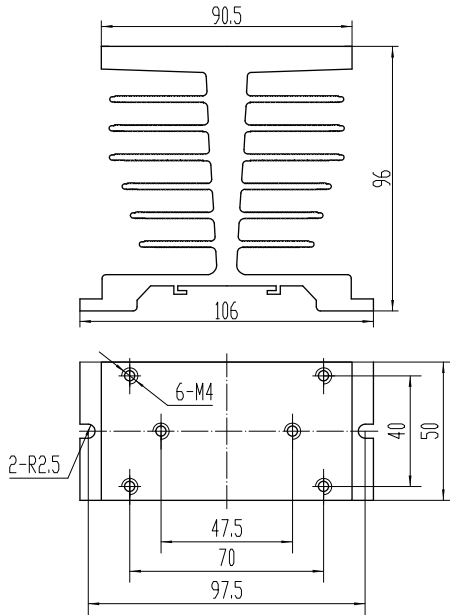
Thermal Derating Curve



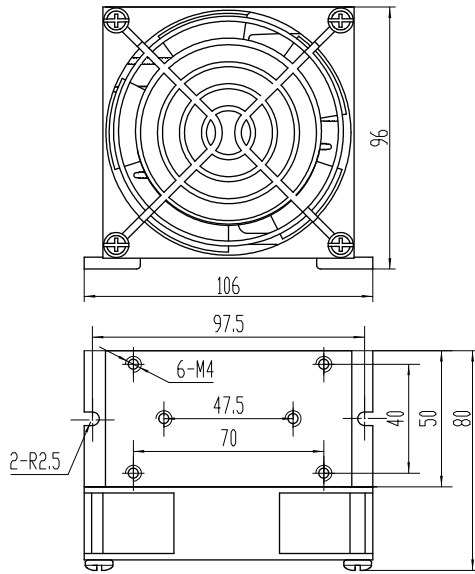
The above temperature curve is configured with radiator models as follows:



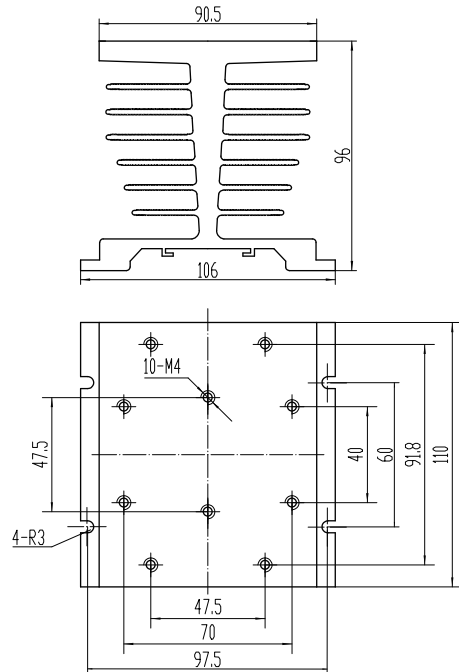
KHS-A50



KHS-D50



KHS-D50-F



KHS-D110

General Notes

1. Relay must be mounted to proper sized heat sink based on thermal curves. Thermal grease or a thermal pad must be used between relay and heat sink and be torqued down to 18-20/2.0-2.2in-lb/Nm.
2. When connection wiring to SSR, please ensure screws are torqued down properly (0.58~0.98) N·m, output (0.98~1.37) N·m.
3. SSR's carrying load capacity is related to the operation ambient temperature and heat dissipation condition, please refer to the Thermal Derating Curve for derating.

! Warnings

1. The product's side panels may be hot, allow the product to cool before touching.
2. Disconnect all power before installing or working with this equipment.
3. Verify all connections and replace all covers before turning on power.

Certification Standards

Certification	Test Standard
UL	UL508
	C22.2 No. 14-13
CCC	GB/T14048.5-2017
CQC	GB/T14048.5-2017
TUV	EN 62314:2006