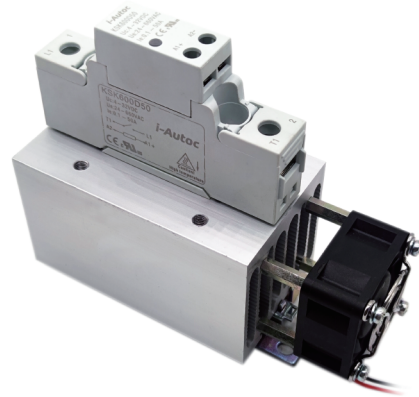


Product Description

- ◆ Zero Cross Switching or Random-on Switching
- ◆ Rating Current:50A, 75A
- ◆ Rating Voltage:240VAC, 600VAC
- ◆ Input Range:3-32VDC or 4-32VDC
- ◆ SCR output
- ◆ Internal RC Protection Circuit
- ◆ IP20 touch-safe housing
- ◆ With Integrated Heatsink
- ◆ EN50022 35mm DIN Rail mount



Ordering Information

KSK	240	D	75	R	-	M	(XXX)	-	J	F24DC
KSK Series	Load Voltage 240:240VAC 600:600VAC	Control Voltage D:DC Control	Load Current 50:50Amp 75:75Amp	Switching Mode None:Zero Crossing R:Random-on	Over Voltage Protection None:Without MOV or TVS M:With MOV T:With TVS	Customer Code	Heatsink I:KHS-I93 heatsink J:KHS-J93 heatsink	Fan None:Without fan F24DC:With 24VDC fan		

Note:Blod characters indicate SSR model.Standard characters indicate heatsink information.

List of Models						
Rated Load Voltage	Blocking Voltage	Control Voltage	Zero-on		Random-on	
			-	with TVS	-	with TVS
240:240VAC	800Vpk	D: 3~32VDC	KSK240D#	KSK240D#-T	KSK240D#R	KSK240D#R-T
600:600VAC	1200Vpk	D: 4~32VDC	KSK600D#	KSK600D#-T	KSK600D#R	KSK600D#R-T
Note:	1. For products with TVS, the blocking voltage refers to SCR chip and optocoupler; 2. In the model, # represents the rated load current, which is 50 or 75.					

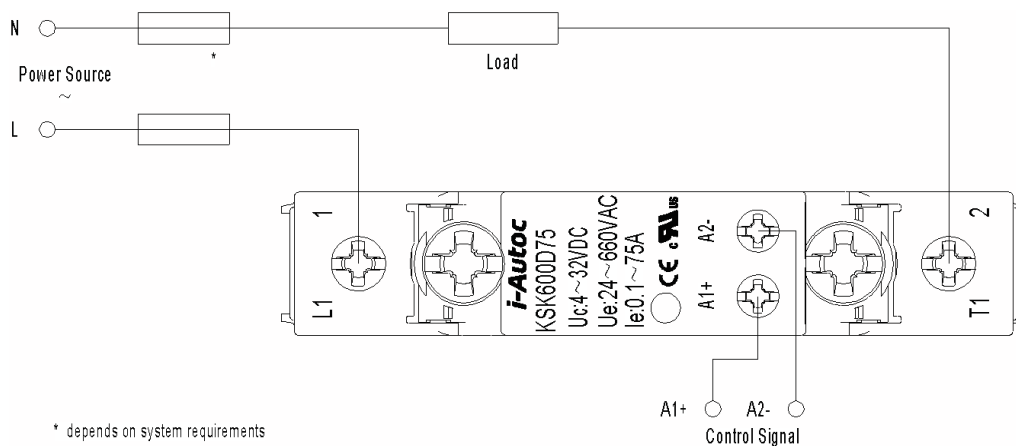
Technical Specifications

Input Specifications(Ta=25°C)		
Control Voltage Range	KSK240D... Series	3~32VDC
	KSK600D... Series	4~32VDC
Maximum Input Current	20mA(@32VDC)	
Must Turn-on Voltage	KSK240D... Series	3VDC
	KSK600D... Series	4VDC
Must Turn-off Voltage	1VDC	
Maximum Reverse Voltage	-32VDC	

Output Specifications(Ta=25°C)		
Load Voltage Range (47~63Hz)	KSK240... Series	24~280VAC
	KSK600... Series	24~660VAC
Transient Overvoltage	KSK240... Series	800Vpk
	KSK600... Series	1200Vpk
Rated Load Current	KSK...50... Series	50A
	KSK...75... Series	75A
Minimum Load Current		100mA
Surge Current (@10ms)		800Apk
Maximum I ² t For Fusing (@10ms)		3200A ² s
Maximum Turn-on Time	RANDOM-ON	1ms
	ZERO-ON	1/2cycle+1ms
Maximum Turn-off Time		1/2cycle+1ms
Varistor Voltage of Internal MOV	KSK240...M... Series	470V
Breakdown Voltage of Internal TVS	KSK240...T... Series	480V
	KSK600...T... Series	1100V
Maximum Off-State Leakage Current (@ Rated Voltage)		3mA
Maximum On-state Voltage Drop (@ Rated Current)		1.5Vrms
Minimum Off-state dv/dt		1000V/μs

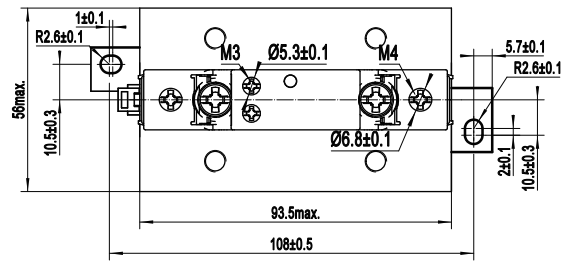
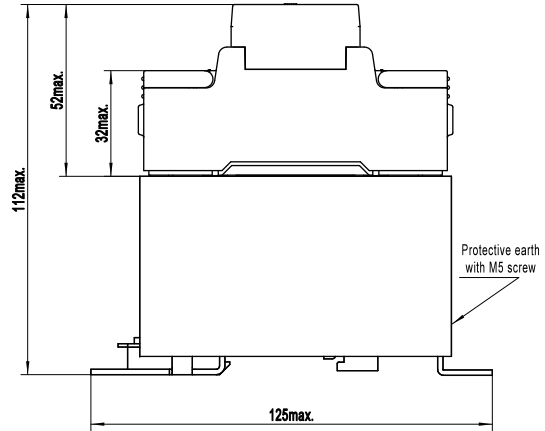
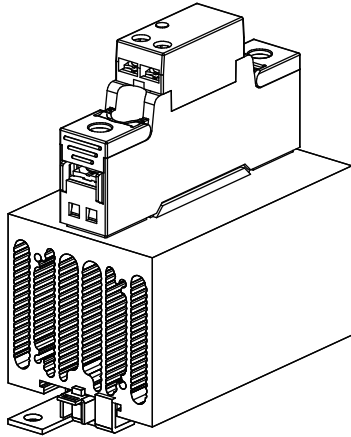
General Specifications(Ta=25°C)		
Dielectric Strength(50/60Hz)	Input/Output	4000Vrms
	Input,Output/Heatsink	4000Vrms
Insulation Resistance(@500V)		1000MΩ
Ambient Operating Temperature Range		-30°C ~ +80°C
Ambient Storage Temperature Range		-30°C ~ +100°C
Weight(Typical)	KSK...50...-I series	420g
	KSK...50...-IF24DC series	470g
	KSK...75...-J series	825g
	KSK...75...-JF24DC series	915g

Installation

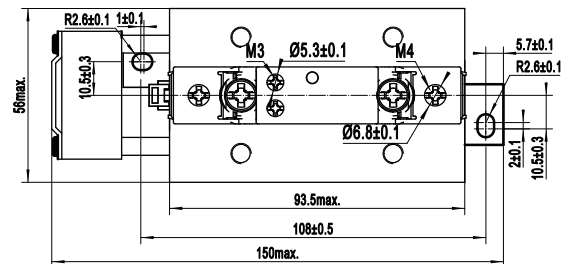
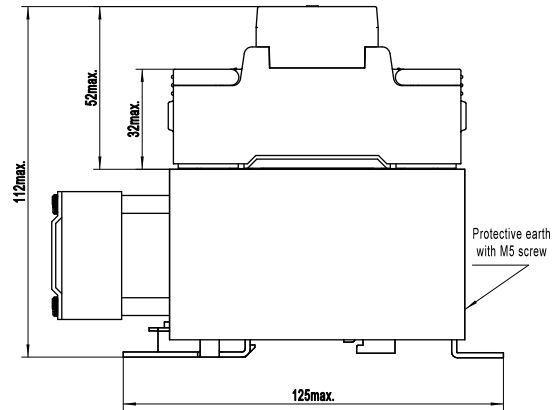
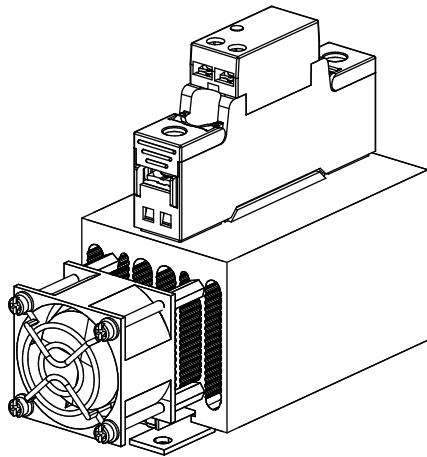


Wiring Diagram Unit:mm

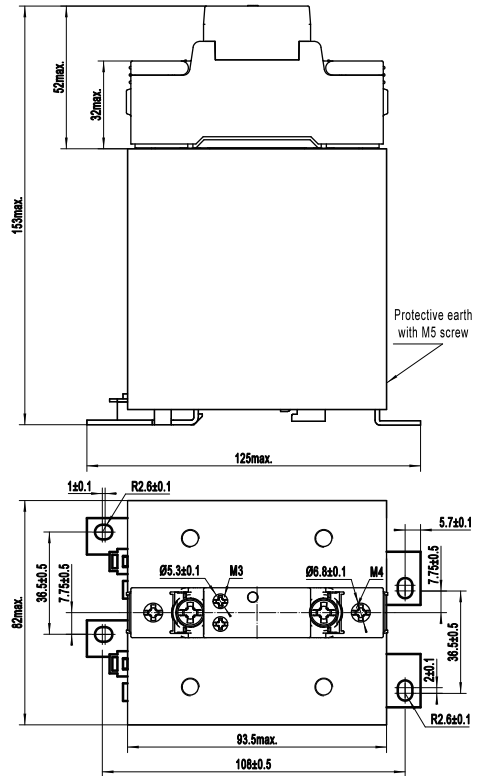
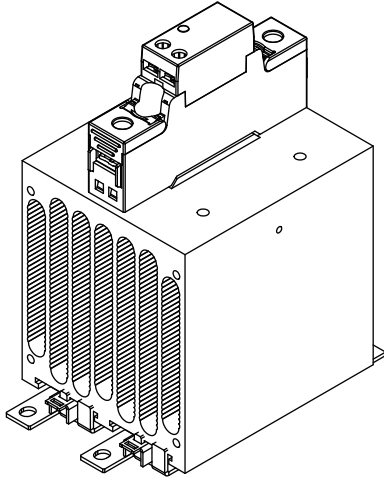
KSK...50...-I Series



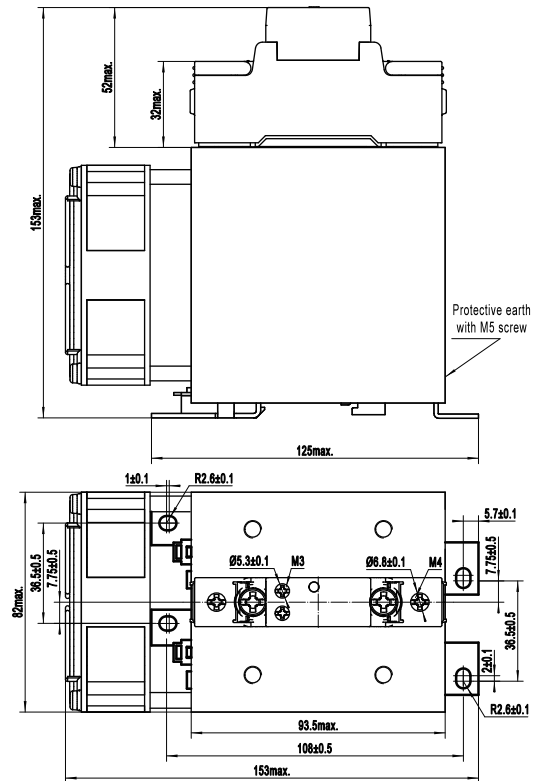
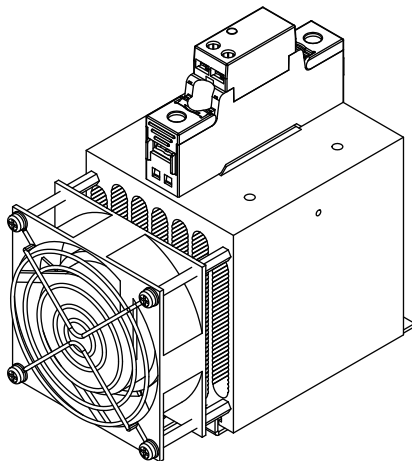
KSK...50...-IF24DC Series



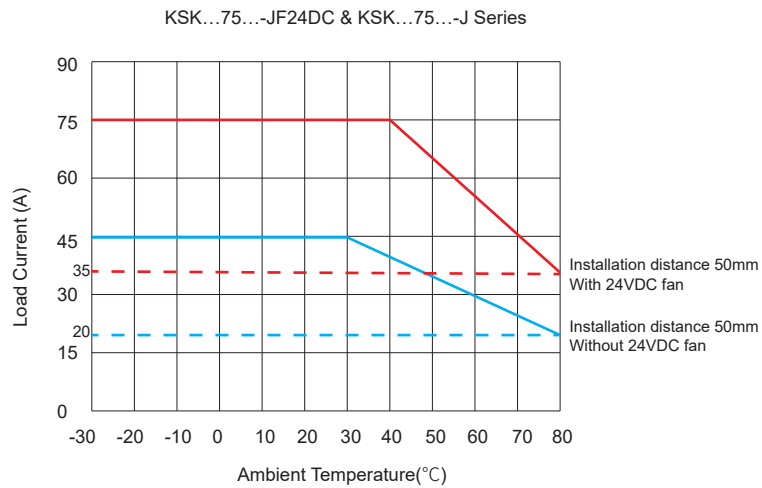
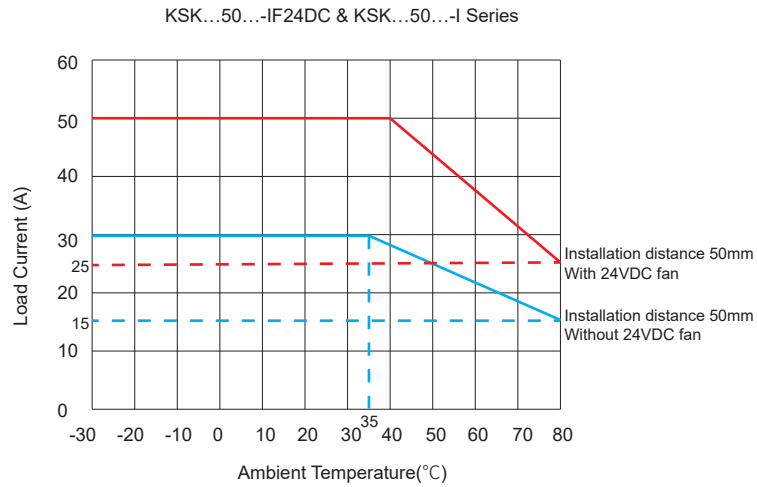
KSK...75...-J Series



KSK...75...-JF24DC Series



Thermal Curve



Important Notice

1. When the temperature of the product is high, please refer to the temperature curve.
2. The recommended mounting torque for input M3 terminal is at (0.35~0.5)N·m/(3.1~4.4)in.-lbs, for output M4 terminal it is (0.98~1.37)N·m/(8.7~12.1)in.-lbs.
3. The relay terminal should ensure reliable connection; poor connection may lead to the product overheating and damaging the product.
4. The cabinet where the product is installed shall be equipped with fan, and the air duct shall be optimized to cool the solid relay product. Enough space shall be reserved for product installation to avoid over temperature.

Warnings

1. The product's side panels may be hot, allow the product to cool before touching.
2. Disconnect all power before installing or working with this equipment.
3. Verify all connections and replace all covers before turning on power.