

Product Description

KMT motor reversing module is a three-phase two-leg-control product specially designed for three-phase motor controllers. The control loop includes logic interlock, delay circuit, and the switching time between forwarding and reversing is 80ms typically, which avoids the possibility of the damage to the module, due to no complete disconnection of the SCR or the possible mis-triggering of the signal; The module has a built-in RC absorption circuit to improve the reliability.

- ◆ Three Phase Two-leg Control
- ◆ Load Current: 25A, 50A @24-530VAC
- ◆ Input Voltage: 10-32VDC
- ◆ Dielectric Strength: 4000Vrms
- ◆ SCR Output for Heavy Industrial Loads
- ◆ Internal RC Protection Circuit
- ◆ Common Cathode or Common Anode



Ordering Information

KMT	380	D	50	R	P	-24
KMT Series	Load Voltage 380: 380VAC 480: 480VAC	DC Control	Load Current 25: 25Amp 50: 50Amp	Switching Mode R: Random-on	Blank: Common Cathode P: Common Anode	Control Voltage 24: 10-32VDC

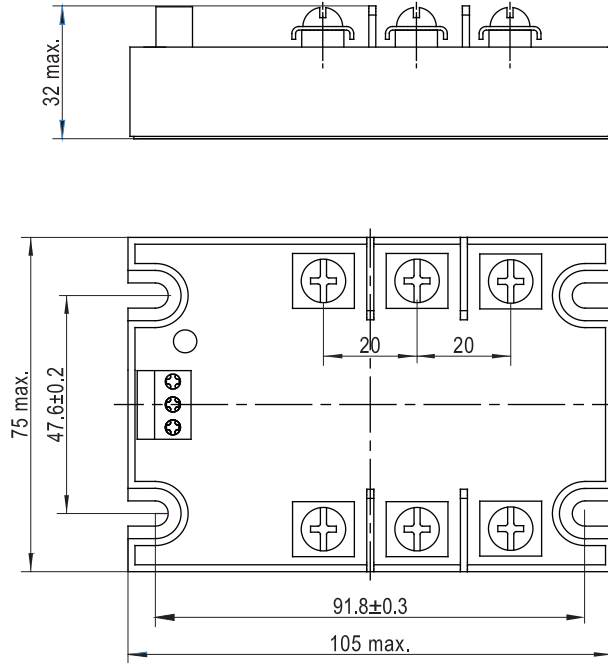
General Specifications

Input Specifications (Ta=25°C)		
Control Voltage Range		10-32VDC
Must Turn-on Voltage		10VDC
Must Turn-off Voltage		3VDC
Maximum Input Current		25mA
Turn-on Delay Time (Typical)		80ms
Output Specifications (Ta=25°C)		
Load Voltage Range	380VAC	24-440VAC
	480VAC	24-530VAC
Maximum Transient Overvoltage	380VAC	1200Vpk
	480VAC	1600Vpk
Maximum Turn-off Time		10ms
Maximum Surge Current (@10ms)	25A	300A
	50A	600A
Maximum Off-State Leakage Current @Rated Load Voltage		5mA
Maximum On-State Voltage Drop @Rated Current		1.5Vrms
Minimum Off-State dv/dt		500V/μs
General Specifications (Ta=25°C)		
Dielectric Strength (50/60Hz)	Input/Output	4000Vrms
	Input, output/Base	2500Vrms
Insulation Resistance(@500V)		1000MΩ
Pulse Immunity Level	IEC61000-4-4	2kV/100kHz
Surge Immunity Level	IEC61000-4-5	2kV/Common mode, 1kV/Differential mode
Electrostatic Discharge Immunity Level	IEC61000-4-2	4kV/Contact discharge, 8kV/Air discharge
Ambient Temperature Range		-30°C ~ +80°C
Storage Temperature Range		-30°C ~ +100°C
Weight (Typical)		338g
Working Status Indication	Green	Forward Indication
	Red	Reverse Indication

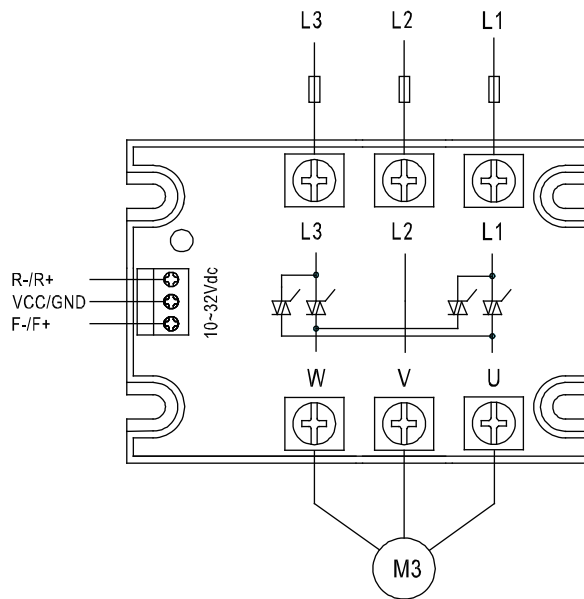
Applications

Three phase motor reversing control, such as the valve controls, and etc.

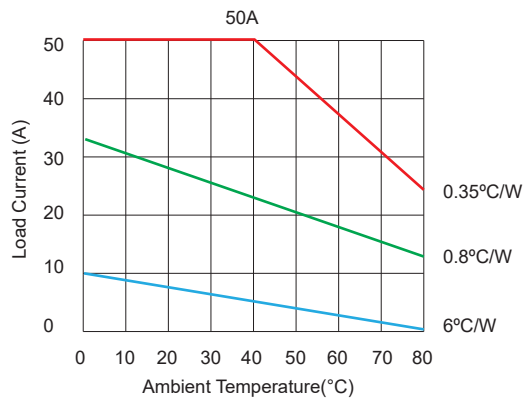
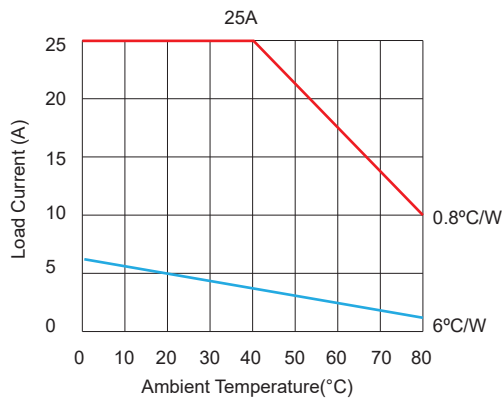
Outline Dimensions



Wiring Diagram



Thermal Derating Curve



General Notes

1. If the connected load will generate high surge current, please pay attention to whether the product can withstand the value of surge current.
2. The switching time must exceed 80ms.
3. When connecting wiring to SSR please ensure screws are torqued down properly. Recommended torque for input screw is 4.43/(0.2-0.5) in-lb/N·m, M4 terminals is 18-20/2.0-2.2 in-lb/N·m.
4. Customized products can be provided on request.

Warnings

1. The product's side panels may be hot, allow the product to cool before touching.
2. Disconnect all power before installing or working with this equipment.
3. Verify all connections and replace all covers before turning on power.