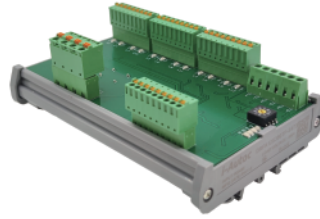
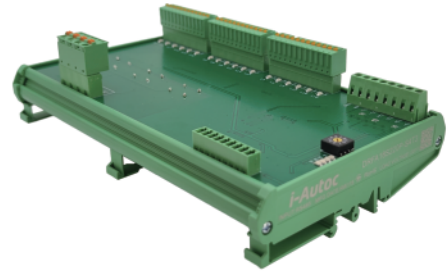


Product Description

- ◆ RS 485 Bus Control
- ◆ Modbus RTU Communication Protocol
- ◆ 12 or 18 Sets of Signal Output
- ◆ LED Indication
- ◆ Stabilized Voltage Output
- ◆ Temperature Detection and Fan Control
- ◆ 35mm Standard Din Rail Mount



DRFA12S



DRFA18S



Product Description

DRFA	12	S	380	T	P	-S4	T1
DRFA Series	Channel 12: 12 18: 18	Function S: Stabilized Output	Load Voltage 220: 220VAC 380: 380VAC	blank: Three-phase with N T: Three-phase without N	Output Mode P: Power Proportional Output	Control Mode S4: RS 485	Temperature detection None: without Temperature Detection T1: with 1 Channel Temperature Detection T3: with 3 Channel Temperature Detection

Product Specification	Load Voltage	Power Supply Type	Power Supply Frequency	Load Channel	Analog Output	Temperature Detection
DRFA12S220P-S4	220VAC	Three phase with N	50/60Hz	12	0-10V	None
DRFA12S220P-S4T1	220VAC	Three phase with N	50/60Hz	12	0-10V	1 Channel
DRFA12S220P-S4T3	220VAC	Three phase with N	50/60Hz	12	0-10V	3 Channels
DRFA12S380TP-S4	220VAC/380VAC	Three phase without N	50/60Hz	12	0-10V	None
DRFA12S380TP-S4T1	220VAC/380VAC	Three phase without N	50/60Hz	12	0-10V	1 Channel
DRFA12S380TP-S4T3	220VAC/380VAC	Three phase without N	50/60Hz	12	0-10V	3 Channels
DRFA18S220P-S4	220VAC	Three phase with N	50/60Hz	18	0-10V	None
DRFA18S220P-S4T1	220VAC	Three phase with N	50/60Hz	18	0-10V	1 Channel
DRFA18S220P-S4T3	220VAC	Three phase with N	50/60Hz	18	0-10V	3 Channels
DRFA18S380TP-S4	220VAC/380VAC	Three phase without N	50/60Hz	18	0-10V	None
DRFA18S380TP-S4T1	220VAC/380VAC	Three phase without N	50/60Hz	18	0-10V	1 Channel
DRFA18S380TP-S4T3	220VAC/380VAC	Three phase without N	50/60Hz	18	0-10V	3 Channels

Technical Specification

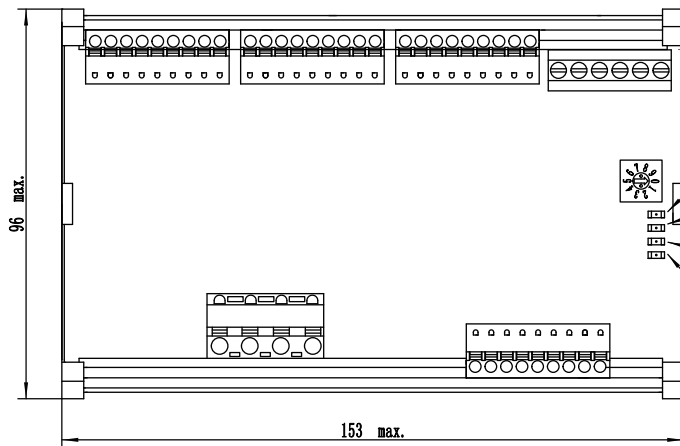
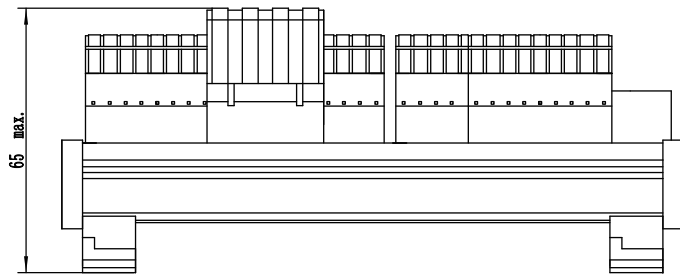
Input Circuit		
Auxiliary Power Supply Voltage Range		19.6 ~ 28.8VDC
Max.Auxiliary Power Supply Current		700mA
Input Control		RS-485 (2 Connections)

Output Circuit		
Voltage Range of Load Power Supply	220	190~280VAC
	380	190~440VAC
Output Load Voltage Range	220	0~220VAC
	380	0~380VAC
Max. Output Current		50mA

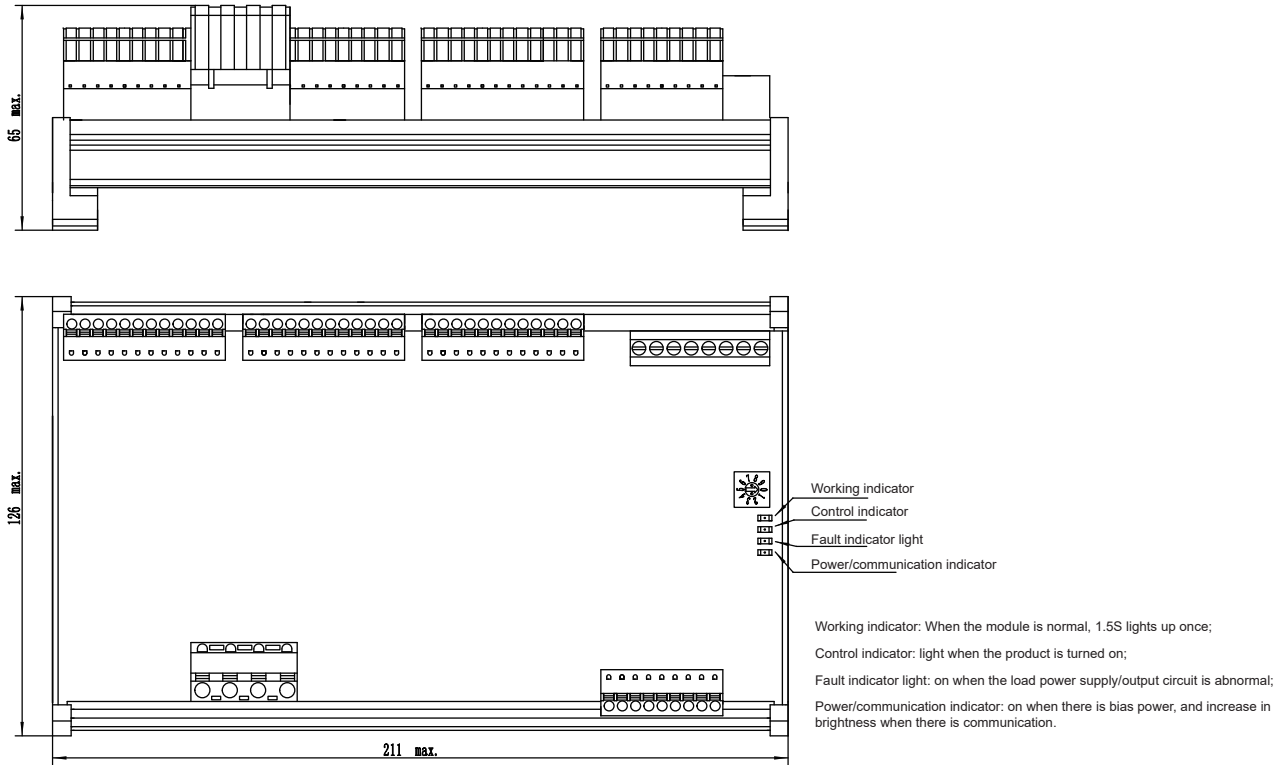
General Information		
Station Address Range		1~8
Max. Station Point		8
Communication Agreement		Modbus RTU
Dielectric Strength		≥3000Vrms
Ambient Operating Temperature Range		-30°C ~ +80°C
Ambient Storage Temperature Range		-30°C ~ +100°C
Weight (Typical)		250g / 340g

Installation and LED Indication

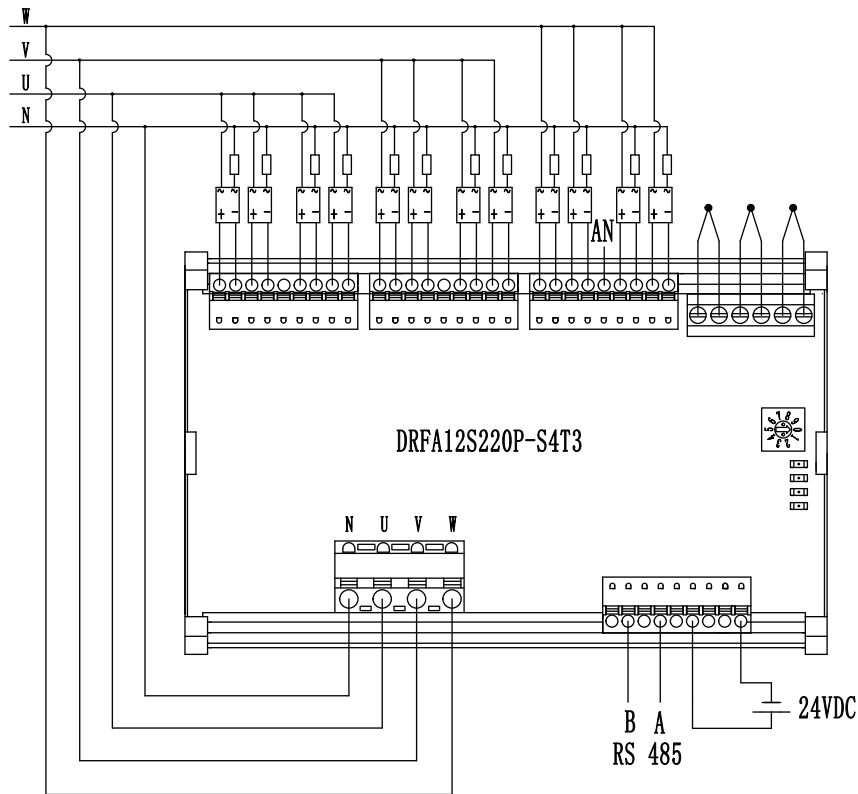
Unit: mm



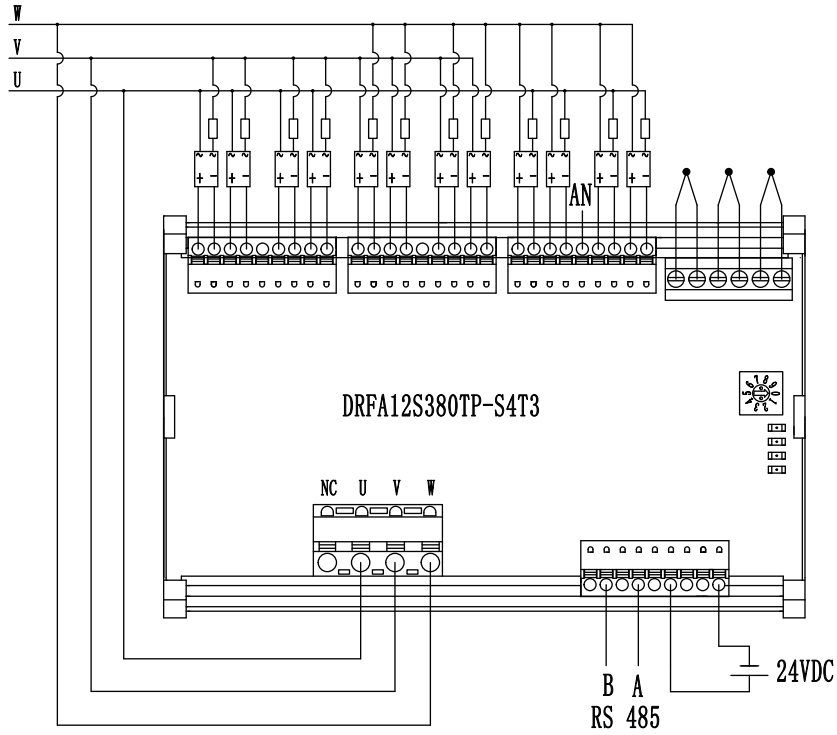
Working indicator: When the module is normal, 1.5S lights up once;
Control indicator: light when the product is turned on;
Fault indicator light: on when the load power supply/output circuit is abnormal;
Power/communication indicator: on when there is bias power, and increase in brightness when there is communication.



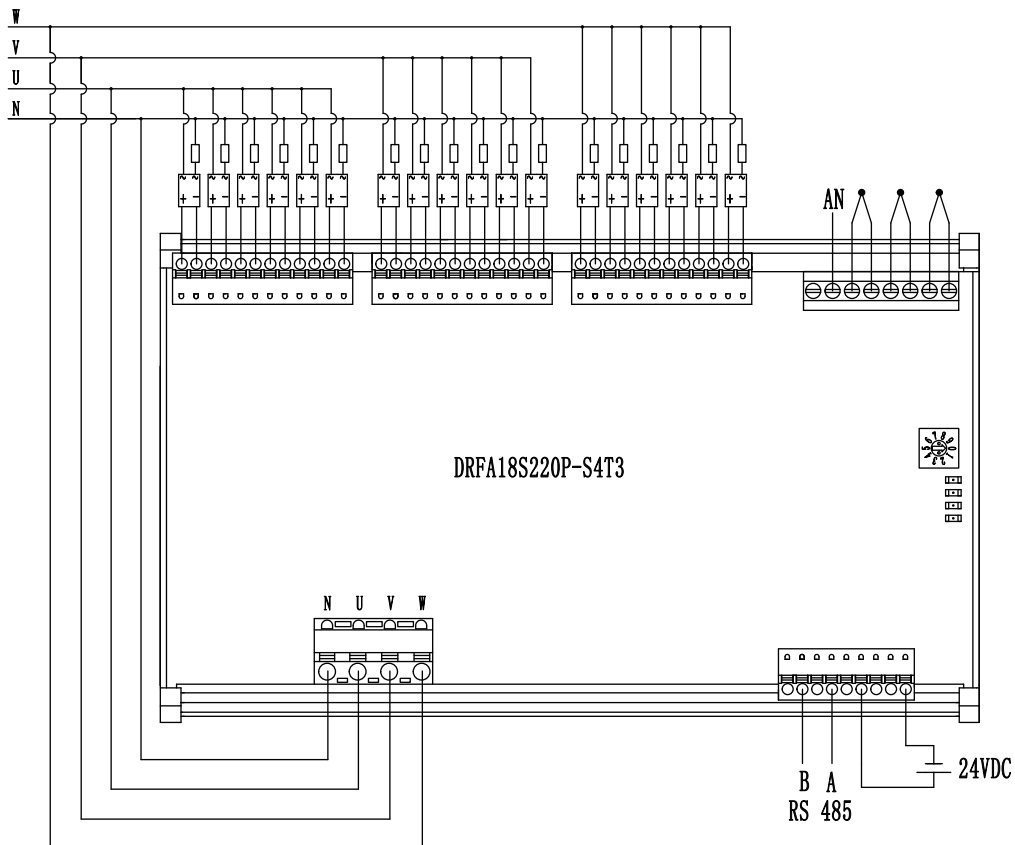
Wiring Diagram



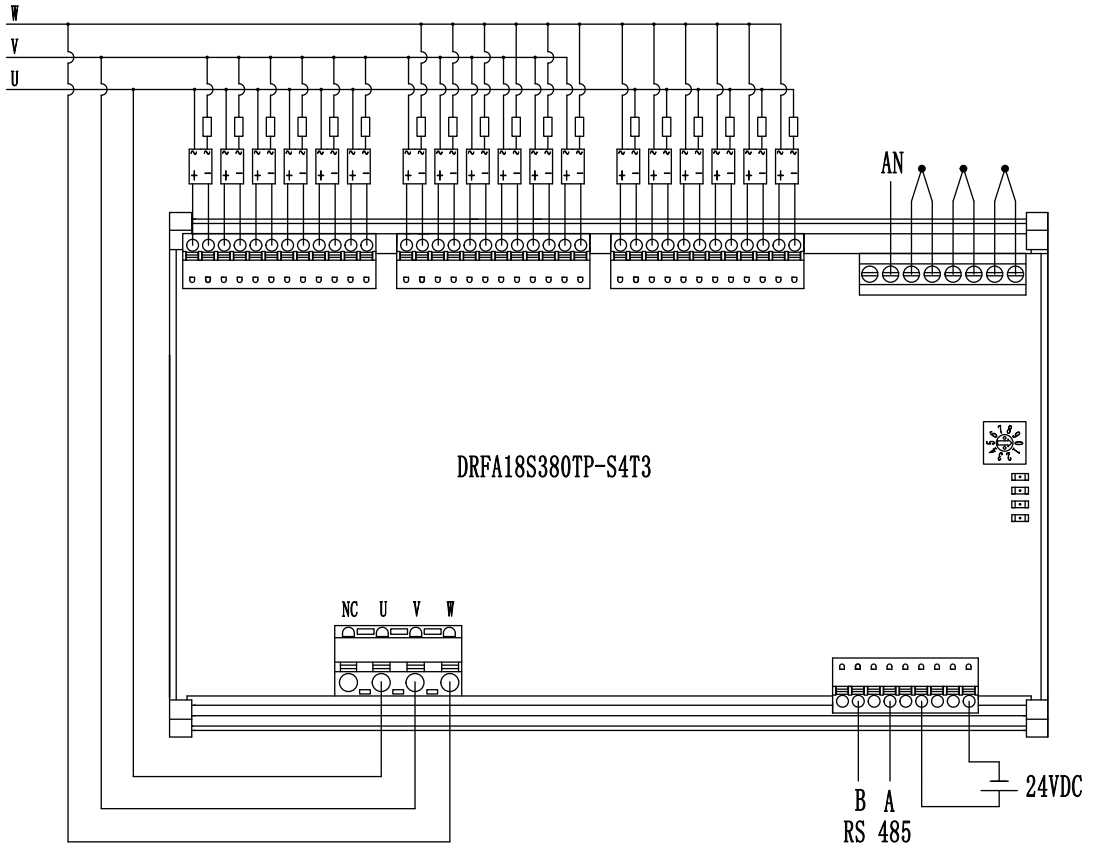
DRFA12S220P-S4T3 Wiring Diagram



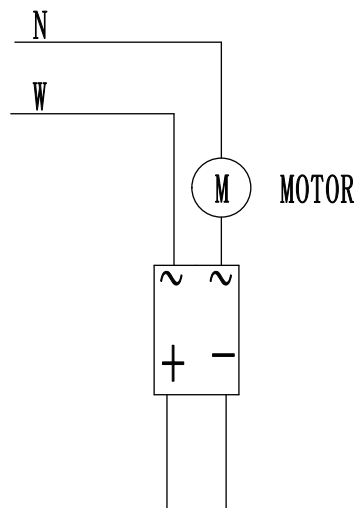
DRFA12S380TP-S4T3 Wiring Diagram



DRFA18S220P-S4T3 Wiring Diagram

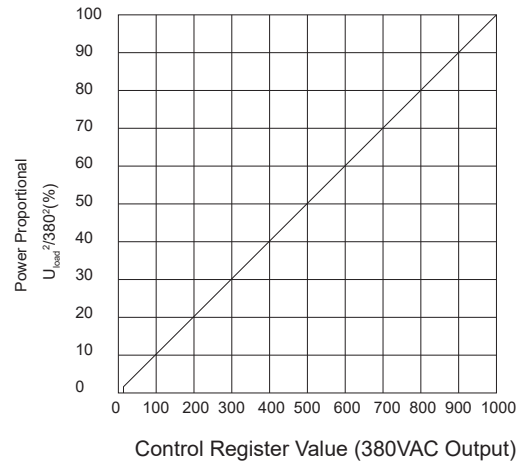
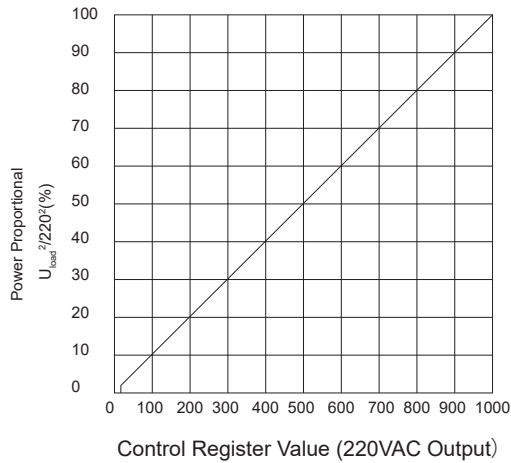


DRFA18S380TP-S4T3 Wiring Diagram



W3/W4, W5/W6 Wiring Diagram when used to control the motor

Output /Proportional Control Characteristic



Important Notice

1. In order to reduce external interference, it is recommended to use twisted pair or shielded wire as the control line of RS485.
2. SSR should adopt random-on type, zero-crossing SSR cannot be used.
3. Isolating thermocouples are preferred. In order to improve the accuracy of temperature detection, it is recommended to choose a shielded thermocouple.

! Warnings

1. The product's side panels may be hot, allow the product to cool before touching.
2. Disconnect all power before installing or working with this equipment.
3. Verify all connections and replace all covers before turning on power.