

Product Description

- ◆ SCR Output
- ◆ Phase Angle
Switching Mode Available
- ◆ High EMC Immunity Design
- ◆ Control Inputs: 0-5VDC, 0-10VDC, 4-20mA
- ◆ Load Current: 25A-80A
- ◆ Integrated RC/MOV Protection Circuit
- ◆ IP20 Finger Touch Protection
- ◆ RoHS Compliant



Ordering Information

KYRT	P	480	L	25	-L
KYRT Series	Output Type P: Power Proportional Output	Load Voltage 480: 200~530VAC	Control Mode L: 0-5VDC; 4-20mA H: 0-10VDC; 4-20mA	Load Current 25: 25Amp 40: 40Amp 60: 60Amp 80: 80Amp	L: LED

	25A	40A	60A	80A
L:0-5VDC/4-20mA	KYRTP480L25-L	KYRTP480L40-L	KYRTP480L60-L	KYRTP480L80-L
H:0-10VDC/4-20mA	KYRTP480H25-L	KYRTP480H40-L	KYRTP480H60-L	KYRTP480H80-L

General Specifications

Input Specifications		
Control Voltage Range	L	0-5VDC
	H	0-10VDC
Control Current Range		4-20mA
Input impedance (Typ.)	0-5V	110kΩ
	0-10V	22kΩ
	4-20mA	200Ω
Turn-on Voltage	L	≤0.2VDC
	H	≤0.4VDC
Turn-on Current		≤4.6mA
Turn-off Voltage		≥0.1VDC
Turn-off Current		≥3.8mA
External Power Supply Range		10-32VDC
Output Specifications		
Load Voltage Range	480VAC	200-530VAC
Maximum Surge Current (@10ms)	25A	300A
	40A	500A
	60A	700A
	80A	1280A
Maximum I²t for Fusing (@10ms)	25A	450A²s
	40A	1250A²s
	60A	2450A²s
	80A	8192A²s
Maximum Transient Overvoltage	480VAC	1200Vpk
Maximum Voltage Permissible for Voltage Sensitivity		550VAC
MOV Varistor Voltage Range		819~1001V
Maximum Off-State Leakage Current@Rated Load Voltage		5mA(@220VAC/50Hz)
Minimum Off-State dv/dt@Maximum Rated Voltage		500V/μs

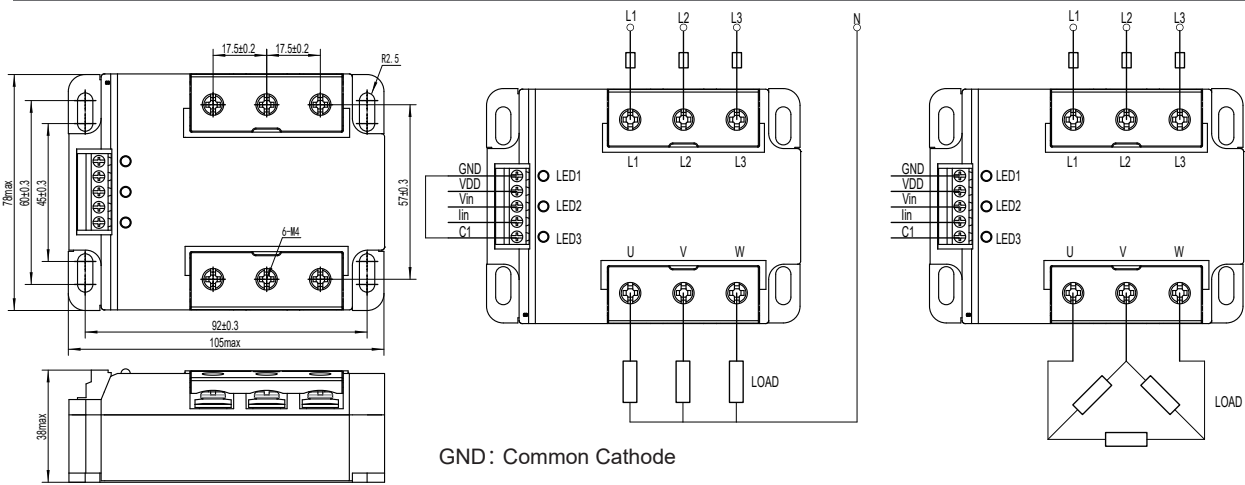
General Specifications (@25°C)

General Specifications		
Dielectric Strength (50/60Hz)	Input/Output	4000Vrms
	Output/Base	2500Vrms
Minimum Insulation Resistance (@500VDC)		1000MΩ
Burst Immunity Level	IEC61000-4-4	2kV/100kHz
Surge Immunity Level	IEC61000-4-5	2kV/Line-PE, 1kV/Line-Line
Electrostatic Discharge Immunity Level	IEC61000-4-2	4kV/Touching, 8kV/In the Air
Ambient Temperature Range	-30°C ~ +80°C	
Storage Temperature Range	-30°C ~ +100°C	
Weight (Typical)	25A/40A	360g
	60A/80A	560g

Applications

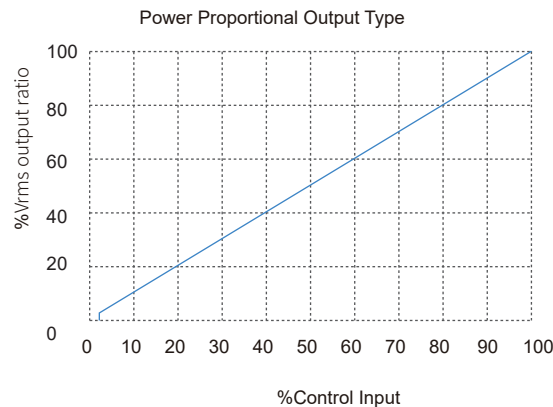
Used for resistive load, such as three-phase heating loads, and etc.

Outline Dimensions/Wiring Diagram

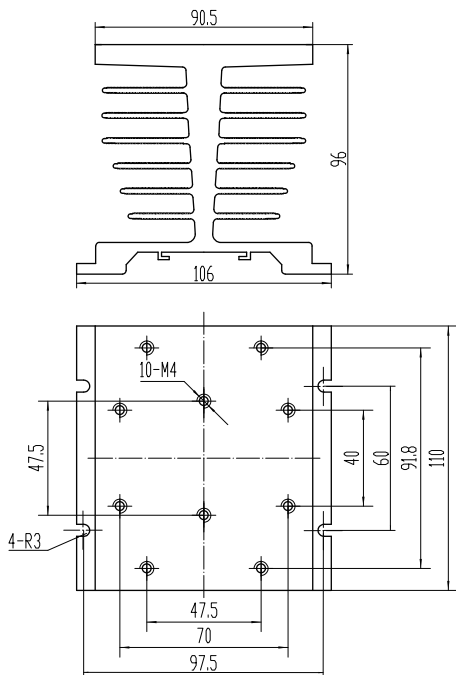
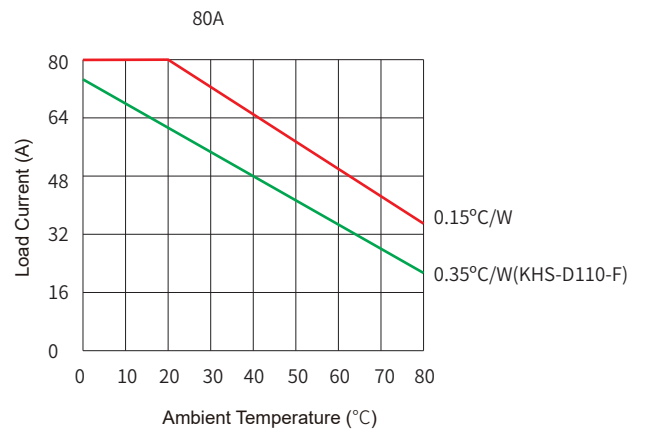
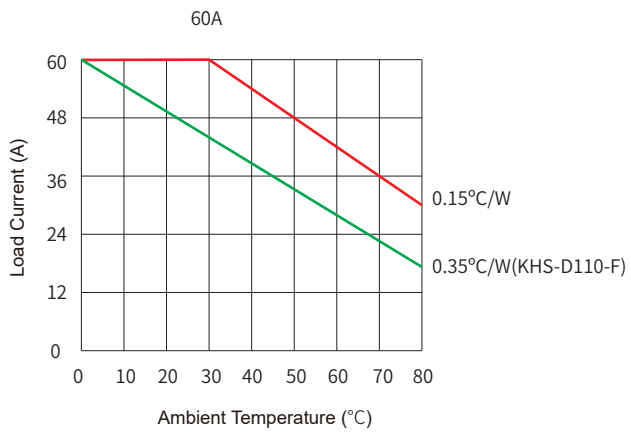
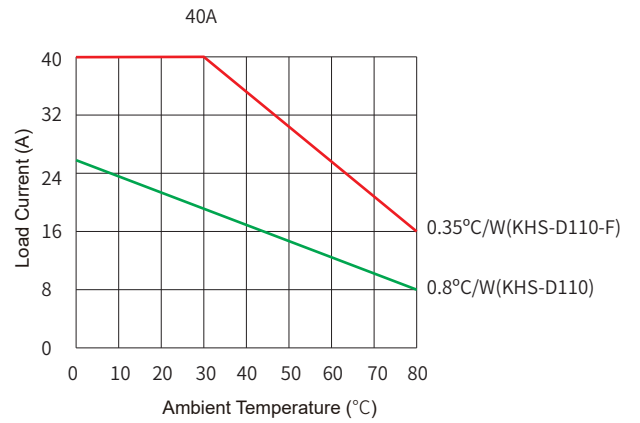
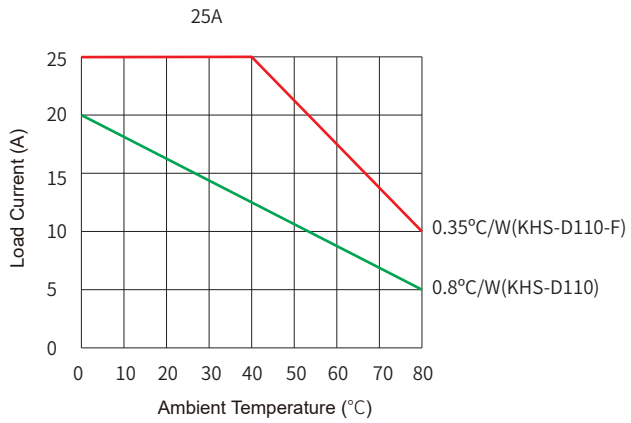


GND: Common Cathode
 VDD: Anode of the power supply
 Vin: Voltage control input
 Iin: Current control input
 C1: Load type selection. C1 connect to VDD or open for load without neutral line.
 C1 connect to GND for load with neutral line.
 LED1: Power supply indication
 LED2: Load connected indication
 LED3: Line undervoltage error indication

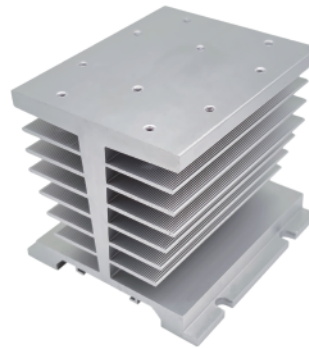
Output / proportional Control Characteristic

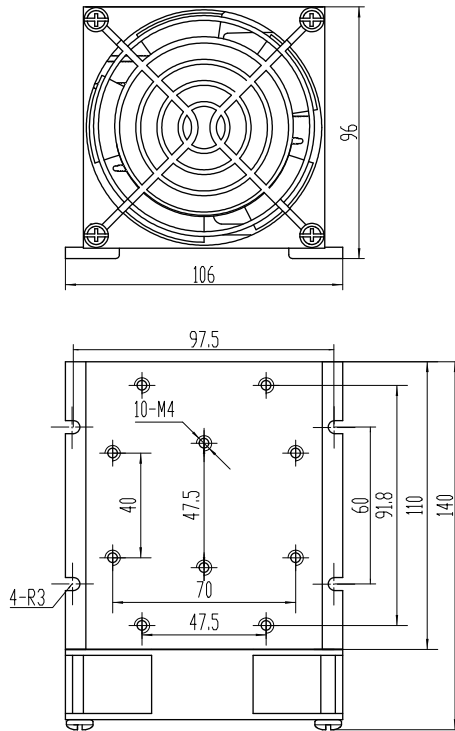


Thermal Derating Curve



KHS-D110





KHS-D110-F

General Notes

1. There is a phase detection circuit inside the product, so the L1, L2 and L3 of the product must be connected to the phase line, and the U, V and W must be connected to the load to work normally. If the phase line side is connected inversely to the load side, the product will not work normally.
2. Please ensure the C1 terminal be connected correctly according to the different load connections, otherwise the product will not work normally.
3. The heat generated by the operation of the voltage regulating module needs to be dissipated through the bottom plate. It is necessary to ensure that the relay bottom plate is in close contact with the heatsink and installed firmly, and the thermal grease or a thermal pad must be used between the module and heatsink.
4. The terminals of the voltage regulating module shall ensure that the wiring is firm. Loose wiring will lead to abnormal heating and damage to the products. Recommended installation torque of input screw is 0.5N·m, and output screw is (0.98 ~ 1.37) N·m.
5. When the operation temperature is above 25 °C, please consider the derating as per the Thermal Derating Curve.
6. Please ensure reliable grounding when using the SSR.

Warnings

1. The product's side panels may be hot, allow the product to cool before touching.
2. Disconnect all power before installing or working with this equipment.
3. Verify all connections and replace all covers before turning on power.