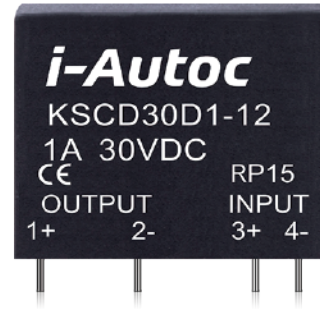


Product Description

- ◆ MOSFET Output (4A) or Transistor Output (1A)
- ◆ Control Voltage: 5VDC, 12VDC, 24VDC
- ◆ Load Current: 1A, 4A
- ◆ Dielectric Strength: 2500Vrms
- ◆ PCB Mounted
- ◆ RoHS Compliant



Ordering Information

KSCD	30	D	1	-12	T	(XXX)
KSCD Series ⁽¹⁾	Load Voltage 30: 3-30VDC 60: 0-35VDC	DC Control	Load Current ⁽²⁾ 1: 1Amp 4: 4Amp	Control Voltage 5: 5VDC 12: 12VDC 24: 24VDC	Blank: Standard T Pin Layout: T Type Footprint	Customized Code

(1): Note: Part numbers available are listed in the table below.
 (2): MOSFET Output (4A) or Transistor Output (1A)

Control Voltage	1A	4A
5VDC	KSCD30D1-5(T)	KSCD60D4-5(T)
12VDC	KSCD30D1-12(T)	KSCD60D4-12(T)
24VDC	KSCD30D1-24(T)	KSCD60D4-24(T)

General Specifications

Input Specifications (Ta=25°C)		
Control Voltage Range	5	4-6VDC
	12	9.6-14.4VDC
	24	19.2-28.8VDC
Must Turn-on Voltage	5	4VDC
	12	9.6VDC
	24	19.2VDC
Must Turn-off Voltage	1VDC	
Maximum Input Current	5	25mA (@6VDC)
	12	25mA (@14.4VDC)
	24	25mA (@28.8VDC)
Output Specifications (Ta=25°C)		
Load Voltage Range	30VDC	3-30VDC
	60VDC	0-35VDC
Maximum Transient Overvoltage	30VDC	30Vpk
	60VDC	70Vpk
Load Current Range	1A	0.02~1A
	4A	0.02~4A
Maximum Surge Current (@10 ms)	1A	4Apk
	4A	20Apk
Maximum On-State Voltage rop@Rated Current	30VDC	1.5V
	60VDC	0.5V

General Specifications

Output Specifications (Ta=25°C)

Maximum Turn-on Time	1ms
Maximum Turn-off Time	1ms
Maximum Off-State Leakage Current@Rated Load Voltage	0.1mA

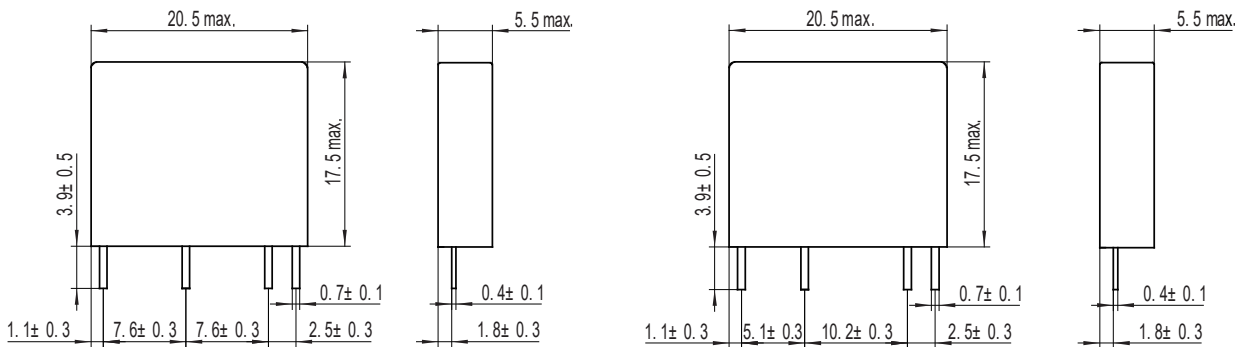
General Specifications (Ta=25°C)

Dielectric Strength (50/60Hz)	2500Vrms
Minimum Insulation Resistance (@500VDC)	1000MΩ
Ambient Temperature Range	-30°C ~ +80°C
Storage Temperature Range	-30°C ~ +100°C
Weight (Typical)	3g

Applications

Suitable for DC motors, DC power supplies, electro-mechanical devices, and etc.

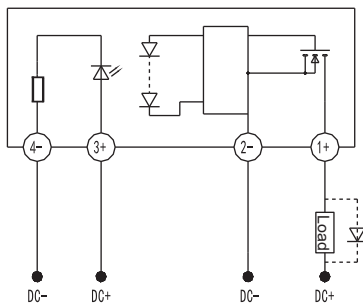
Outline Dimensions



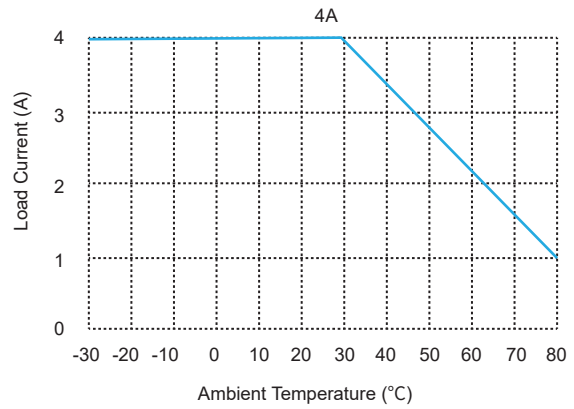
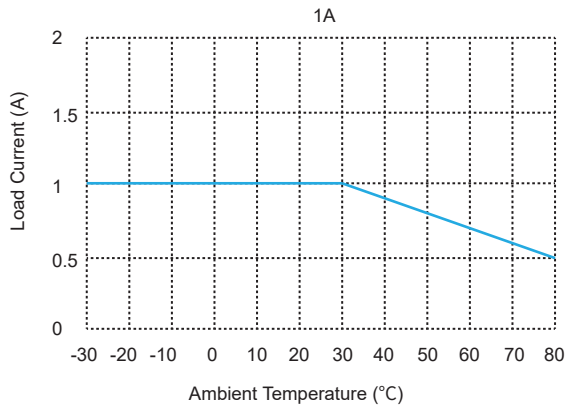
Standard Footprint

T Type Footprint

Wiring Diagram



Thermal Derating Curve



General Notes

1. Soldering must be finished within 10 seconds at 260°C, or finished within 5 seconds at 350°C. Otherwise it may cause damage to the relay.
2. Terminal polarity must be observed. Otherwise it may cause damage to the relay.
3. When ambient temperature is above 25°C, the maximum load current decreases. See thermal derating curve.
4. Capacitive load will produce very high surge current at the moment of conduction, which may lead to the damage of solid state relay due to the excessive surge current. Therefore, if the actual load is capacitive, or the load has paralleled large capacitance, it is strongly recommended that NTC should be connected in series in the load loop to suppress surge current in order to avoid damage to the product.
5. Special attention should be paid to electrostatic protection during use.