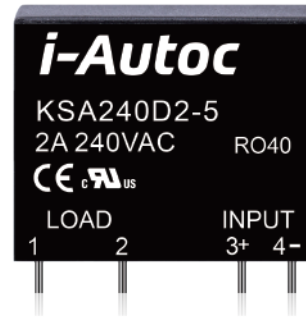


Product Description

- ◆ TTL Compatible Drive
- ◆ TRIAC Output
- ◆ Control Voltage: 5VDC, 12VDC, 24VDC
- ◆ Control Current: 10mA
- ◆ Load Current: 2A@24-280VAC
- ◆ Dielectric Strength: 2500Vrms
- ◆ PCB Mounted
- ◆ RoHS Compliant



Ordering Information

KSA	240	D	2	R	24	T	(XXX)
KSA Series	Load Voltage 240: 240VAC	DC Control	Load Current 2: 2Amp	Switching Mode Blank: Zero Crossing R: Random-on	Control Voltage 5: 5VDC 12: 12VDC 24: 24VDC I: 10mA	Pin Layout Blank: Standard T: T Type Footprint	Customized Code

Note: Part numbers available are listed in the table below.

Control Voltage	model	
5VDC	KSA240D2-5	KSA240D2-5T
	KSA240D2R-5	KSA240D2R-5T
12VDC	KSA240D2-12	KSA240D2-12T
	KSA240D2R-12	KSA240D2R-12T
24VDC	KSA240D2-24	KSA240D2-24T
	KSA240D2R-24	KSA240D2R-24T
I	KSA240D2-I	KSA240D2-IT
	KSA240D2R-I	KSA240D2R-IT

General Specifications

Input Specifications (Ta=25°C)		
Control Voltage Range	5	4-6VDC
	12	9.6-14.4VDC
	24	19.2-28.8VDC
Control Current Range	10-25mA	
Must Turn-on Voltage	5	4VDC
	12	9.6VDC
	24	19.2VDC
Must Turn-on Current	I	10mA
Must Turn-off Voltage	-5/ -12/ -24	1VDC
Must Turn-off Current	1mA	
Maximum Input Current	-5/ -12/ -24	25mA

General Specifications

Output Specifications (Ta=25°C)	
Load Voltage	24-280VAC
Maximum	600Vpk
Maximum Off-State Leakage Current@Rated Load	1.5mA
Minimum Off-State dv/dt@Maximum Rated Voltage	200V/μs

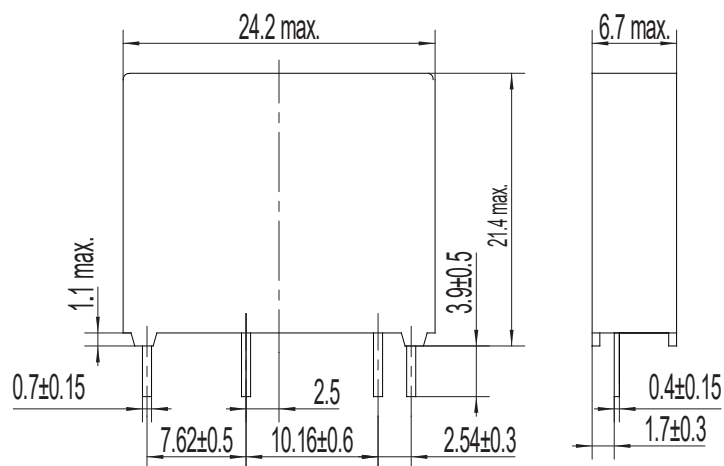
Output Specifications (Ta=25°C)	
Load Current	0.1-2A
Maximum 1 Cycle Surge Current	35Apk
Maximum I ² t for Fusing (10ms)	6.1A ² s
Maximum On-State Voltage Drop@Rated Current	1.5Vrms
Maximum Turn-on Time	Zero Crossing : 1/2 cycle+1ms; Random-on: 1ms
Maximum Turn-off Time	1/2cycle+1ms
Operational Frequency Range	47-63Hz
Minimum Power Factor (@Maximum load)	0.5

General Specifications (Ta=25°C)	
Dielectric Strength (50/60Hz)	2500Vrms
Minimum Insulation Resistance (@500VDC)	1000MΩ
Ambient Temperature Range	-30°C ~ +80 °C
Storage Temperature Range	-30°C ~ +100 °C
Weight (Typical)	6g

Applications

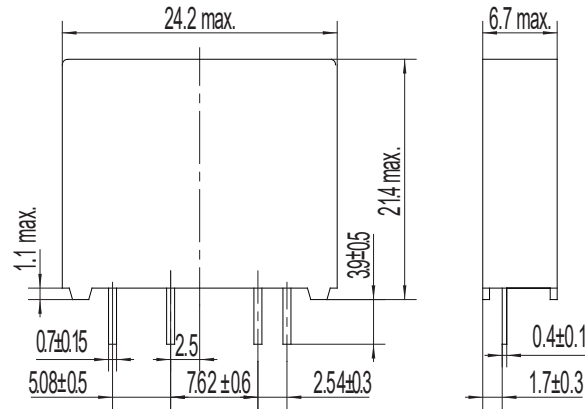
Suitable for control electromagnetic valve, electric machine, and etc.

Outline Dimensions



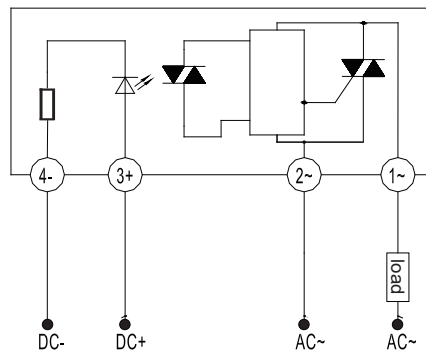
Standard Footprint

Outline Dimensions

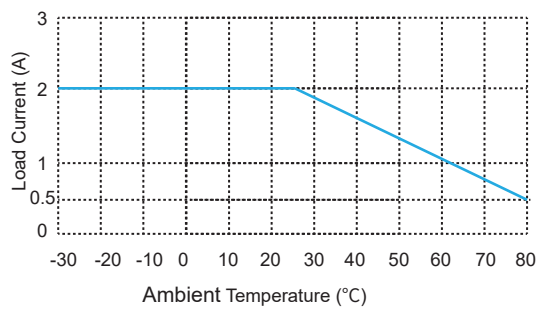


T Type Footprint

Wiring Diagram



Thermal Derating Curve



General Notes

1. Soldering must be finished within 10 seconds at 260°C, or finished within 5 seconds at 350°C. Otherwise it may cause damage to the relay.
2. Terminal polarity must be observed. Otherwise it may cause damage to the relay.
3. When ambient temperature is above 25°C, the maximum load current decreases. See thermal derating curve.