

**Product Description**

- ◆ TRIAC Output (3A) or SCR Output (5A)<sup>(1)</sup>
- ◆ Control Voltage: 4-15VDC, 15-32VDC, 4-32VDC
- ◆ Load Voltage: 240VAC, 380VAC, 480VAC
- ◆ Load Current: 3A, 5A
- ◆ Dielectric Strength: 4000Vrms
- ◆ RoHS Compliant



Note: (1) KSD(240, 380)D3xxx series is TRIAC output, KSD480D3xxx series and KSDxxxD5xxx series are SCR output.

**Ordering Information**

<b>KSD</b>	<b>380</b>	<b>D</b>	<b>5</b>	<b>R</b>	<b>-L</b>	<b>(037)</b>
KSD Series	Load Voltage 240: 240VAC 380: 380VAC 480: 480VAC	DC Control	Load Current 3: 3Amp 5: 5Amp	Switching Mode Blank: Zero Crossing R: Random-on	Control Voltage L: 4-15VDC H: 15-32VDC W: 4-32VDC	(037): Plastic Case

Note: Part numbers available are listed in the table below.

Model	3A		5A	
L:4-15VDC	KSD240D3-L (037)	KSD240D3R-L (037)	KSD240D5-L (037)	KSD240D5R-L (037)
	KSD380D3-L (037)	KSD380D3R-L (037)	KSD380D5-L (037)	KSD380D5R-L (037)
	KSD480D3-L (037)	KSD480D3R-L (037)	KSD480D5-L (037)	KSD480D5R-L (037)
H:15-32VDC	KSD240D3-H (037)	KSD240D3R-H (037)	KSD240D5-H (037)	KSD240D5R-H (037)
	KSD380D3-H (037)	KSD380D3R-H (037)	KSD380D5-H (037)	KSD380D5R-H (037)
	KSD480D3-H (037)	KSD480D3R-H (037)	KSD480D5-H (037)	KSD480D5R-H (037)
W:4-32VDC	KSD240D3-W (037)	KSD240D3R-W (037)	KSD240D5-W (037)	KSD240D5R-W (037)
	KSD380D3-W (037)	KSD380D3R-W (037)	KSD380D5-W (037)	KSD380D5R-W (037)
	KSD480D3-W (037)	KSD480D3R-W (037)	KSD480D5-W (037)	KSD480D5R-W (037)

**General Specifications**

Input Specifications (Ta=25°C)		
Control Voltage Range	L	4-15VDC
	H	15-32VDC
	W	4-32VDC
Must Turn-on Voltage	L	4VDC
	H	15VDC
	W	4VDC
Must Turn-off Voltage	H	5VDC
	L/W	1VDC
Maximum Input Current	L	25mA (@15VDC)
	H/W	25mA (@32VDC)
Output Specifications (Ta=25°C)		
Load Voltage Range	240VAC	24-280VAC
	380VAC	24-440VAC
	480VAC	24-530VAC

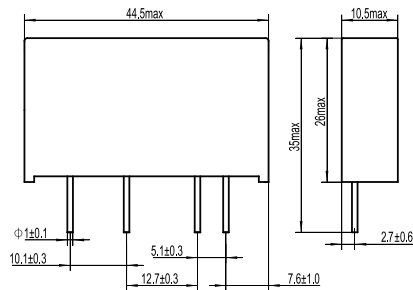
Output Specifications (Ta=25°C)		
Maximum Transient Overvoltage	240VAC	600Vpk
	380VAC	800Vpk
	480VAC	1200Vpk
Load Current Range	3A	0.1 - 3A
	5A	0.1 - 5A
Maximum Surge Current (@10 ms)	3A	160A
	5A	250A
Maximum Turn-on Time	Random-on	1ms
	Zero Crossing	1/2cycle+1ms
Maximum Turn-off Time	1/2cycle+1ms	
Maximum Off-State Leakage Current@Rated Load Voltage	5mA	
Maximum On-State Voltage Drop@Rated Current	1.5Vrms	
Minimum Off-State dv/dt@Maximum Rated Voltage	3A	200V/μs
	5A	500V/μs

General Specifications (Ta=25°C)	
Dielectric Strength (50/60Hz)	4000Vrms
Minimum Insulation Resistance (@500VDC)	1000MΩ
Ambient Temperature Range	-30°C ~ +80°C
Storage Temperature Range	-30°C ~ +100°C
Weight (Typical)	20g

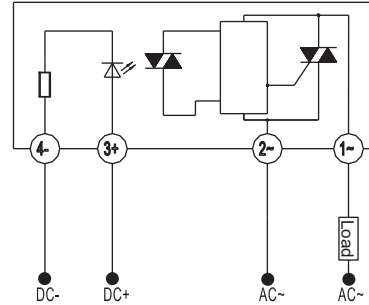
### Applications

Suitable for lighting control, motor control, vending machine control, medical device control, valve control etc, and etc.

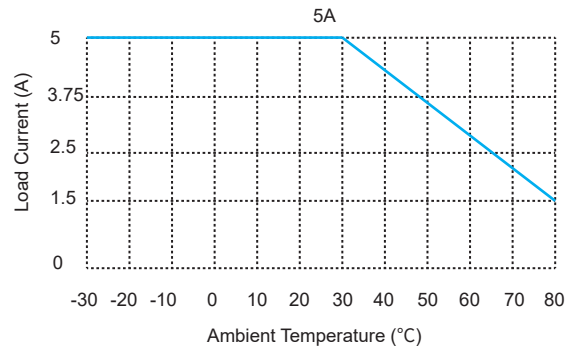
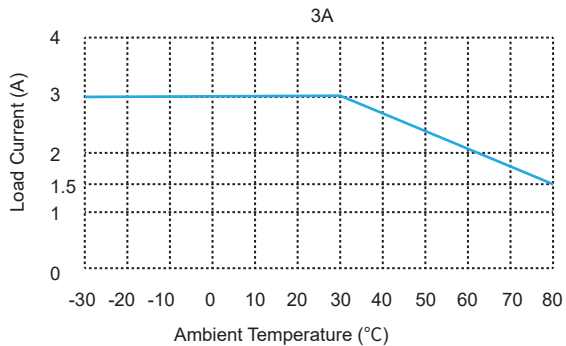
### Outline Dimensions



### Wiring Diagram



### Thermal Derating Curve



### General Notes

1. 260°C welding temperature, the whole process should not exceed 10 seconds, 350°C, the welding process should not exceed 5 seconds, otherwise it may cause damage to the product.
2. Control end polarity should be correct, otherwise it will damage the product.
3. When the working environment temperature of the product is high, please refer to the temperature curve for derating.