

YKD-9107

MEDICAL LED COLD LIGHT SOURCE

-
- Built-in LED cold light source, 20 levels adjustable
 - With memory function, service life of more than 50,000 hours
 - Touch button, easy to clean
 - One-click sleep
-

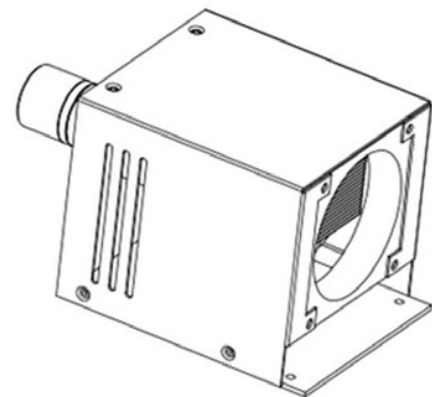
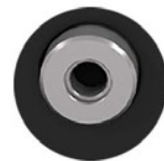


YKD-9107

MEDICAL LED COLD LIGHT SOURCE

Technical Data

Light source:	· 80W LED cold light source
Lifetime:	· > 50000 hours
Voltage range (current consumption):	· 100-240 V (130 VA)
Frequency:	· 50-60 Hz
Device protection:	· 2x T3,15 A
Color rendering index	· ≥ 90
Color temperature	· 5000K~7000K
Protection class (acc.to IEC 60601-1):	· I
Safety class:	· BE
Standard:	· IEC 60601-1-2
Device classification (EU) 2017/745, annex VIII:	· I
Control:	· Touch Buttons
Output hole size:	· 10mm \pm 0.1mm
Luminous flux:	· ≥ 1500 Lm
Dimensions:	· 461(L)x353(W)x150(H)



IMPORTANT:

Use only high-performance light cables / high-temperature-resistant light guides!

ACCESSORIES

- CONNECTOR TO ENDOSCOPE



Compatible with STEMA/STORZ

- CONNECTOR TO LIGHT SOURCE



Compatible with STEMA/STORZ



Compatible with WOLF/HSW



FIBER OPTIC CABLE