

YKD-9007

FULL HD ENDOSCOPE SYSTEM

- Built-in USB Full HD image storage, Photo capture/Video recording function
- SONY CMOS HD camera
- HD 1080P Video output
- Touch button, easy to clean



YKD-9007

FULL HD ENDOSCOPE SYSTEM

Technical Data

Camera head:	<ul style="list-style-type: none">· HD imaging (1920 x 1080)· 1/2.8" SONY CMOS, progressive scan· IPX8 waterproof· Full HD optical coupler C-mount standard
Voltage range (current consumption):	· 100-240 V (50 VA)
Frequency:	· 50-60 Hz
Device protection:	· 2x T3,15 A
Video system:	<ul style="list-style-type: none">· Image resolution: Full HD 1920 x 1080· TV resolution: 900 TVL, Tolerance 20%· Scanning system: Progressive Scanning· White balance automatically
Recording (optional):	<ul style="list-style-type: none">· Image format: JPG 1920 x 1080· Video format: Full HD 1920 x 1080; Mpeg-4 (H.264 Codec); Image rate 60fps· Connection: USB
Screen size:	· 5 inches
Connections:	Video out terminal: <ul style="list-style-type: none">· 3x HDMI· 1x CVBS
Protection class (acc.to IEC 60601-1):	· I
Safety class:	· BF
Standard:	· IEC 60601-1-2
Device classification (EU) 2017/745, annex VIII:	· I
Features:	<ul style="list-style-type: none">· White balance· Freeze function· Zoon in/Zoon out· Touch screen buttons· USB storage· Photo capture/Video recording
Dimensions:	· 350(L)x374(W)x130(H)

Camera head



Options

Features:	<ul style="list-style-type: none">· Photo capture, video recording· Zoom in/Zoom out
Waterproof level	· IPX 8

YKD-9021

MEDICAL LED COLD LIGHT SOURCE

-
- Built-in LED cold light source, 20 levels adjustable
 - With memory function, service life of more than 50,000 hours
 - Touch button, easy to clean
 - One-click sleep
-

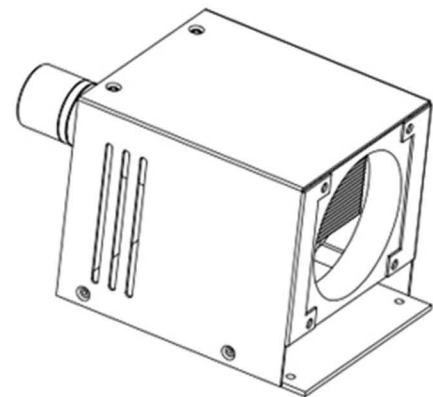
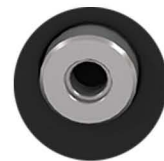


YKD-9021

MEDICAL LED COLD LIGHT SOURCE

Technical Data

Light source:	· 80W LED cold light source
Lifetime:	· > 50000 hours
Voltage range (current consumption):	· 100-240 V (130 VA)
Frequency:	· 50-60 Hz
Device protection:	· 2x T3,15 A
Color rendering index	· ≥ 90
Color temperature	· 5000K~7000K
Protection class (acc.to IEC 60601-1):	· I
Safety class:	· BE
Standard:	· IEC 60601-1-2
Device classification (EU) 2017/745, annex VIII:	· I
Control:	· 5 inch touch screen
Output hole size:	· Output hole size
Luminous flux:	· $\geq 800\text{Lm}$
Dimensions:	· 350(L)x374(W)x130(H)



IMPORTANT:

Use only high-performance light cables / high-temperature-resistant light guides!

ACCESSORIES

- CONNECTOR TO ENDOSCOPE



Compatible with STEMA/STORZ

- CONNECTOR TO LIGHT SOURCE



Compatible with STEMA/STORZ



Compatible with WOLF/HSW



FIBER OPTIC CABLE