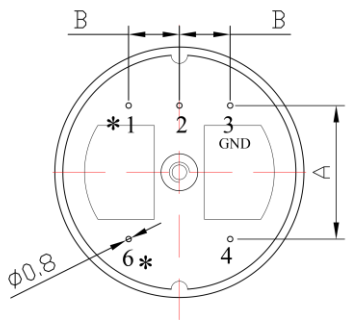


## Datasheet for Voltage Transformer(Voltage Type)

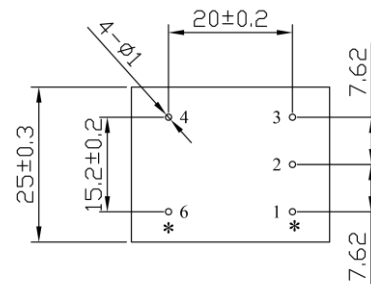
### 1. Features :

- Good linearity, high precision, wide operating range.
- Operating Temp.:  $-40^{\circ}\text{C} \sim +85^{\circ}\text{C}$
- Working frequency: 50Hz~400Hz
- Fully-encapsulated, strong dielectric strength
- Being able to be directly welded on PCB
- Rated load resistance:  $100\text{k}\Omega @ 500\text{DC}$
- UL 94-V0
- RoHS Compliance

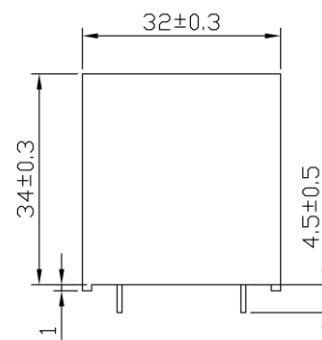
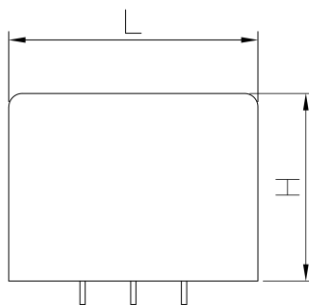
### 2. Outline Dimensions (mm):



PT32-YX&PT37-YX Series



PT3225-YX Series



Mode	L	H	A	B
PT32-YX	32	26	20	7.62
PT37 -YX	37.4	28	20	7.62

### 3. Electrical Characteristics:

Mode	Rated Input (V)	Rated Output (V)	Excitation Current (mA)	Accuracy
PT3225-YX	57.7V,100V,120V,150V	0.1V,0.333V... 3.53V,7.07V	$\leq 0.5$	0.1CL
PT32-YX	57.7V,100V,120V,150V,200V	0.1V,0.333V... 3.53V,7.07V	$\leq 0.5$	0.1CL
PT37-YX	150V,200V,220V,300V	0.1V,0.333V... 3.53V,7.07V	$\leq 0.5$	0.1CL

Ratio error:  $\leq 0.1\%$ , Rating point phase error:  $< 15'$ , Linearity range:  $5\%U_n \sim 120\%U_n$

### 4. Working Principle

