

SDQxxL Series Current Clamp

Description

The primary current of the SDQxxL series current clamp main circuit includes 5A~ 600A, and the rated secondary output current is 0A ~ 1A (0~ 1V). This series of products can meet the technical requirements of grade 0.5, grade 1 and other different precision. GB/T20840.1.2.

It is widely used Power monitoring, energy consumption management, intelligent power system, electromagnetic relay protection, microcomputer protection, motor protection, rural power grid transformation, substation transformation, environmental protection detection, etc.

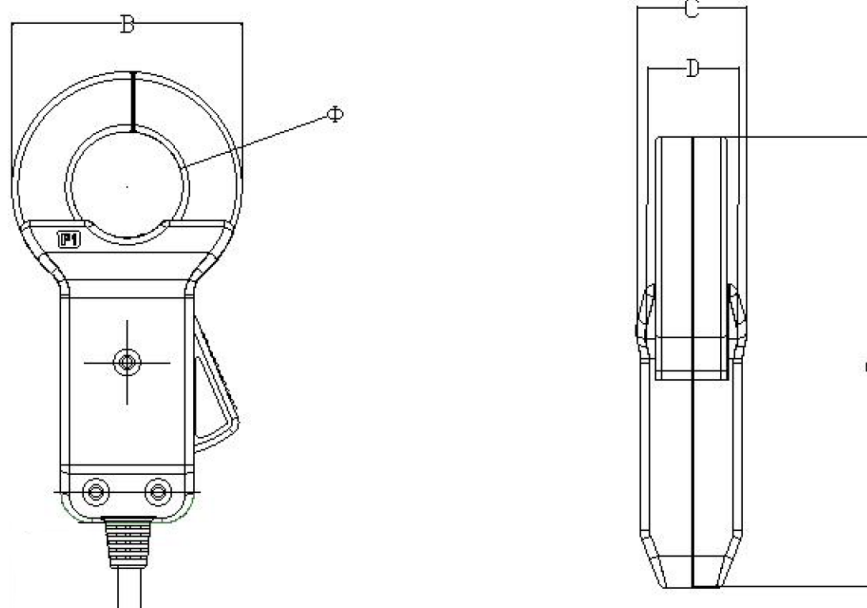


Specification:

Rated Current	5-600A (optional)
Rated Output	0A ~ 1A (0~ 1V)
Accuracy	0.2%, 0.5%, 1.0%
Window Size	25mm/40mm/65mm (optional)
Altitude	1000M
Core Material	Microcrystal
Case Material	ABS+PC
Secondary Wire	2*0.3mm ² 1.5m sheathed wire (length optional)
Isolation Resistance	DC500V/100MQ
Dielectric Strength	4kV/60s/1mA
Operating Temperature	-25°C ~ +75°C

	Ratio Error				Phase Displacement			
	at current (% of rated)				at current (% of rated)			
	5	20	100	120	5	20	100	120
0.5Class	1.5	0.75	0.5	0.5	90	45	30	30
1.0Class	3	1.5	1	1	180	90	60	60

Accuracy Data		
Model	Technical Specification	Class
SDQ25L	100A/100mA/5Ω	0.5, ±90'@100% of rated
	100A/50mA/5Ω	0.5, ±60'@100% of rated
	250A/100mA/10Ω	0.5
	250A/50mA/10Ω	0.5
SDQ40L	100A/100mA/5Ω	0.5, ±60'@100% of rated
	100A/50mA/10Ω	0.5
	200A/50mA/10Ω	0.5
	200-400A/100mA/10Ω	0.5
SDQ65L	100A/100mA/5Ω	0.5, ±60'@100% of rated
	200A/50mA/10Ω	0.5
	300A/50mA/10Ω	0.5
	200-600A/100mA/10Ω	0.5

Dimensions:
Unit: mm


Model	Rated Input	Dimensions				
		Φ	A	B	C	D
SDQ25L	5-250A	25	102	52	25	16
SDQ40L	10-400A	40	119	72	28.5	16
SDQ60L	10-600A	65	167	105	34	20