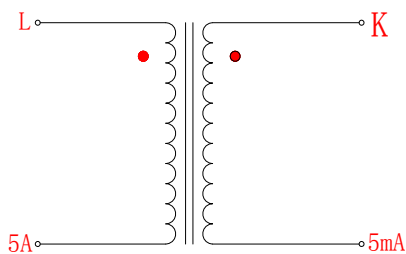


## Datasheet of Current Clamp SDQ8 series

Current Clamp is a high-precision AC current converter, and can meet a variety of measuring instruments, It can be used along with many kinds of instruments and devices, such as energy meter spot calibrator, multifunctional meter, oscilloscope, digital multimeter, dual clamp Ground resistance tester, dual clamp phase volt ammeter. Parameters will be measured and compared without power supply cut-off on account of the split core.

### 1, Wiring Diagram



### 2, Specification

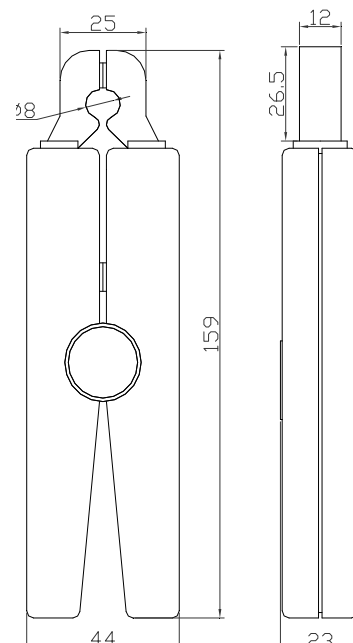
Model No.	Rated Current	Max Current	Output Current	Turns Ratio	Accuracy	Phase Shift	Load
SDQ8	5A	10A	2mA/5mA or on request	1:1000 1:2000 1:2500 or on request	Class 0.2	<30°	< 4Ω
SDQ8A	5A	10A			Class 0.2	<30°	
SDQ8B	5A	10A			Class 0.1	<15°	
SDQ8C	5A	10A			Class 0.1	<15°	
SDQ8D	5A	10A			Class 0.1	<15°	
SDQ8E	5A	10A	5mA	Class 0.5	<60°		

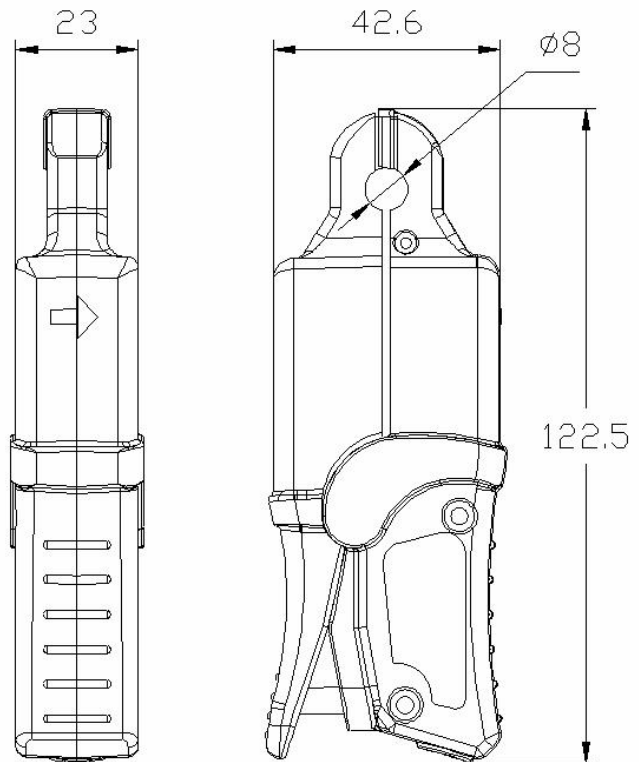
Working Temperature: -30°C~ +60°C (ABS Housing)  
-40°C~ +100°C (PC Housing)

### 3, Dimensions

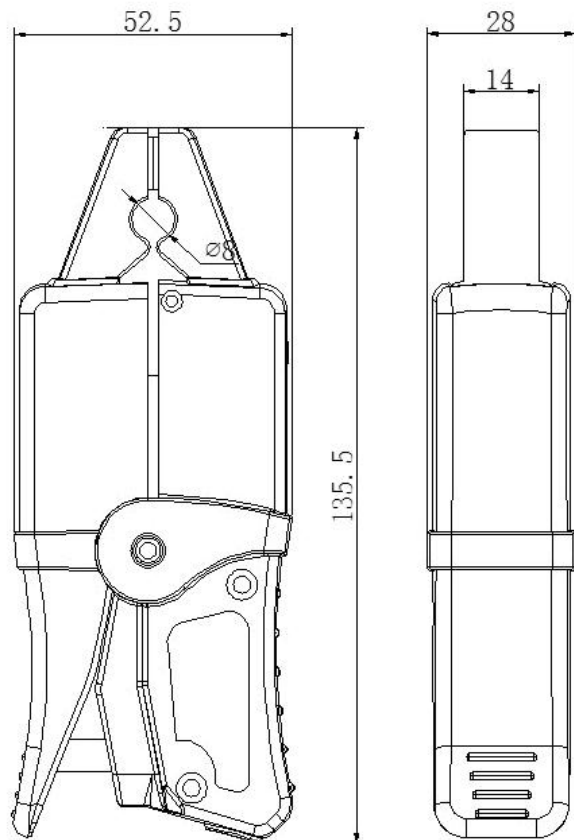


SDQ8 Outline Dimension: 159×44×23mm, Ø 8

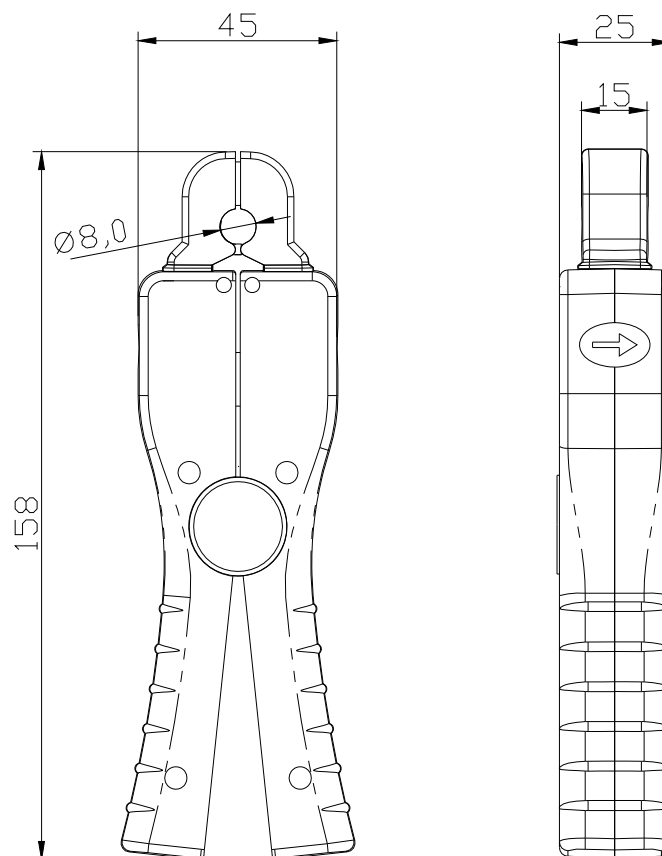




SDQ8A Outline Dimension: 122.5×42.6×23mm, Ø 8

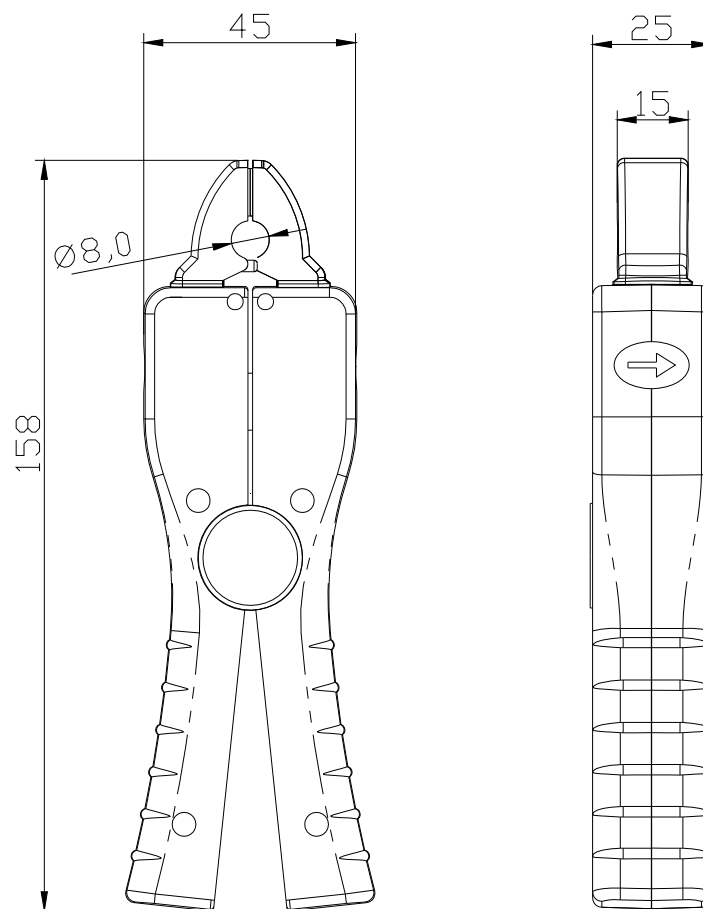


SDQ8B Outline Dimension: 135.5×52.5×28mm, Ø 8  
Mouth Color: red, yellow, green



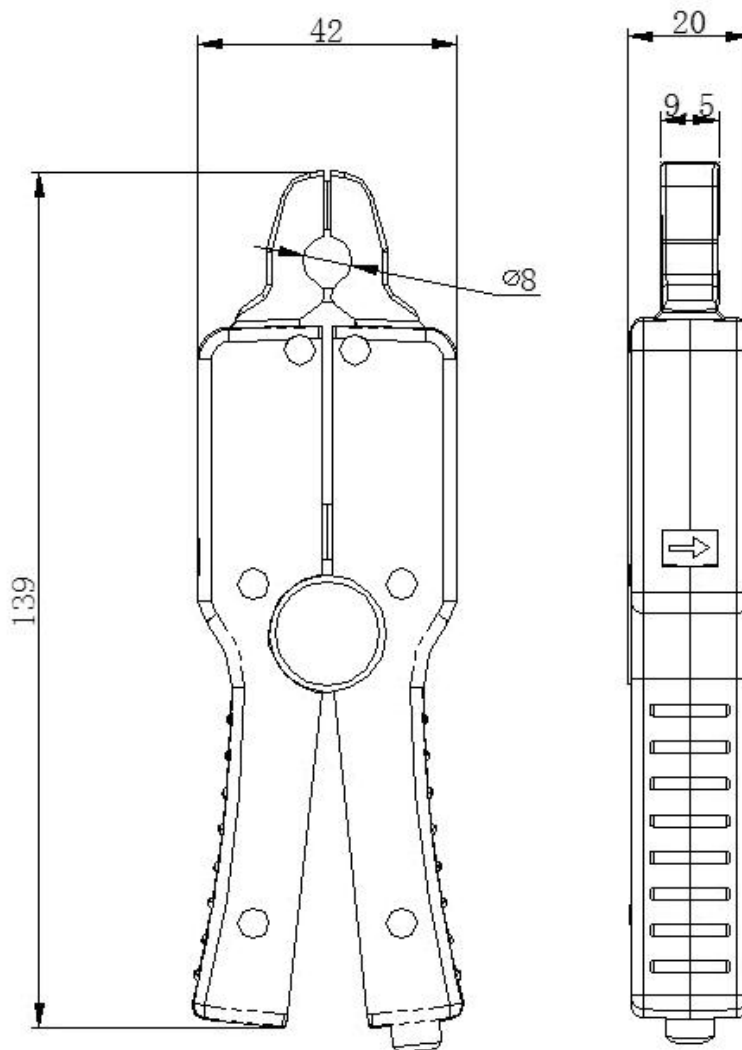
SDQ8C

Outline Dimension: 158×45×25mm, Ø 8



SDQ8D

Outline Dimension: 158×45×25mm, Ø 8



SDQ8E

Outline Dimension: 139×42×20mm, Ø 8