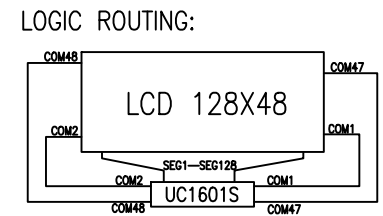
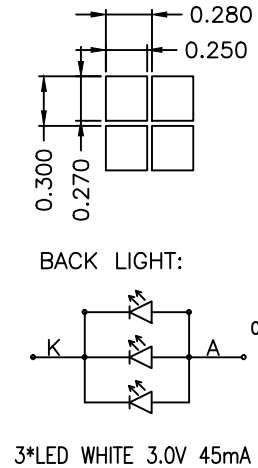
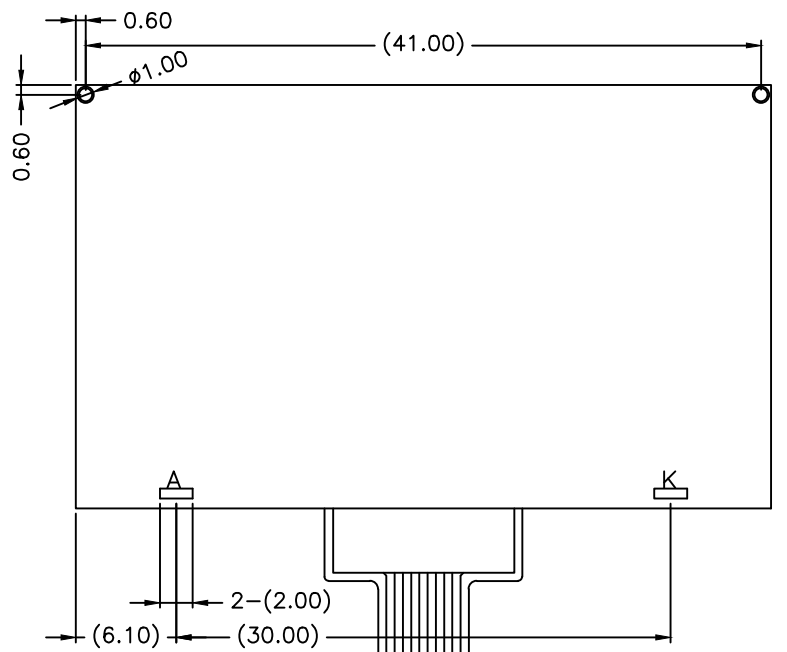
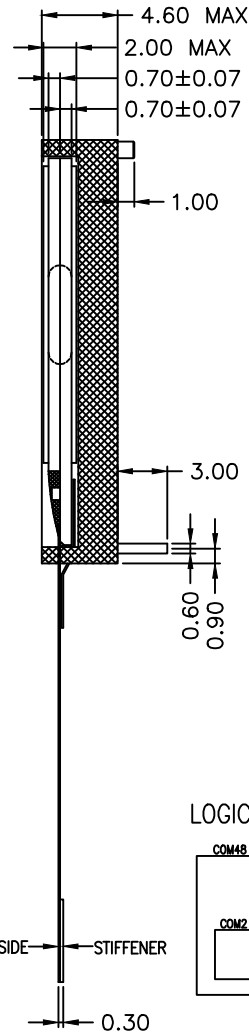
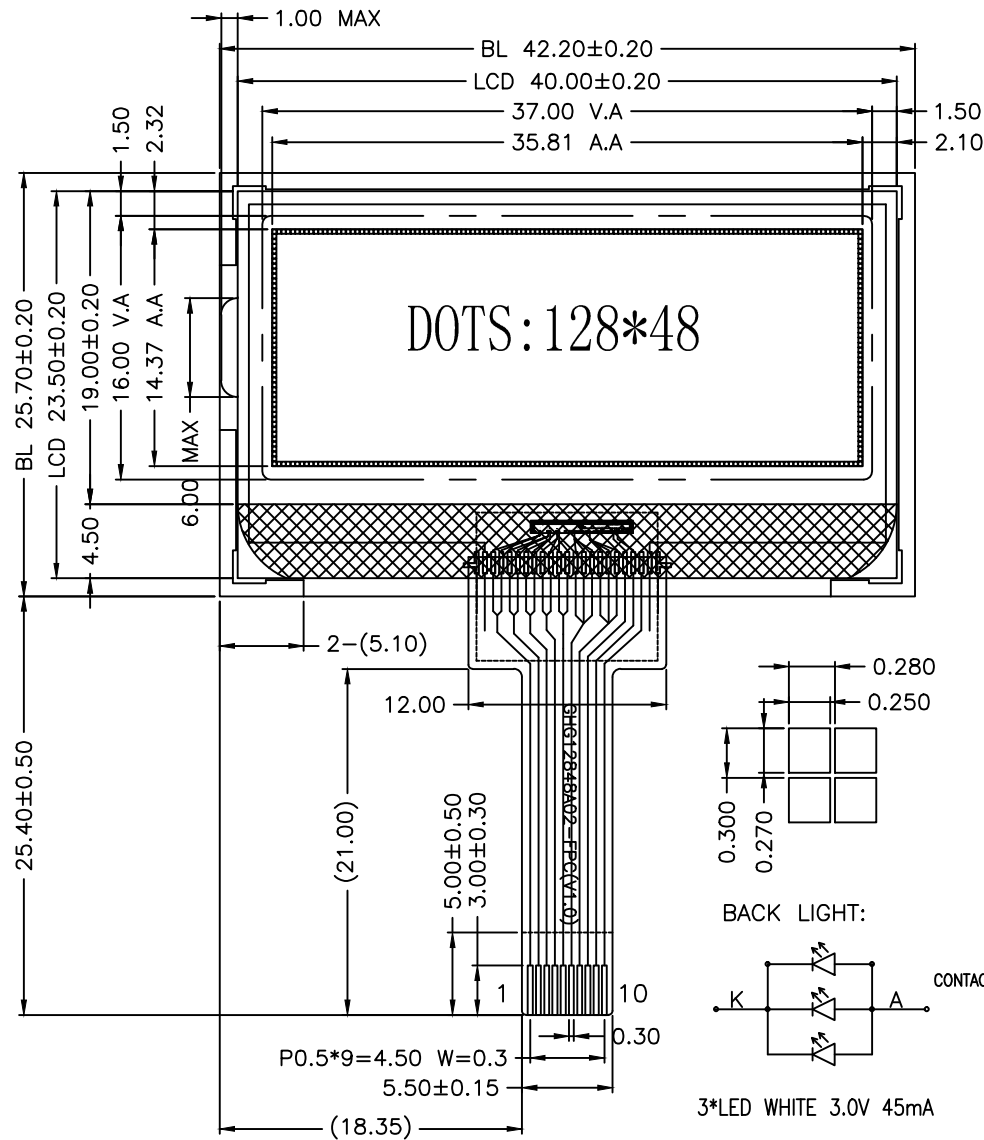


REV	DESCRIPTION	DATE
V1.0	First Issue	2021.10.16



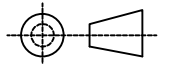
PIN	SYMBOL
1	VLCD
2	VB0+
3	VB0-
4	VB1-
5	VB1+
6	VSS
7	VDD
8	SDA
9	SCK
10	NC

ITEM	PARAMETERS	ITEM	PARAMETERS
OPERATING VOLTAGE	3.3V	VIEW DIRECTION	6:00 C' CLOCK
LCD DRIVE METHOD	1/48 D 1/7 B	LCD CONTROLLER	UC1601S
OPERATING TEMP.	-40°C to 80°C	BACK LIGHT	3*LED, WHITE, 45mA, 3.0V
STORAGE TEMP.	-40°C to 85°C	DISPLAY TYPE	FSTN, POSITIVE, TRANSMISSIVE
DEFAULT TOLERANCE	±0.2	CONNECTOR	COG+FPC



**OSWELL** www.eoswell.com

MODEL NUMBER	UNIT	DATE
	mm	
1105021300	SHEET	1/1



TITLE	LCM DRAWING
DRAWN	胡浩
CHECKED	周嫚嫚
APPROVED	丁