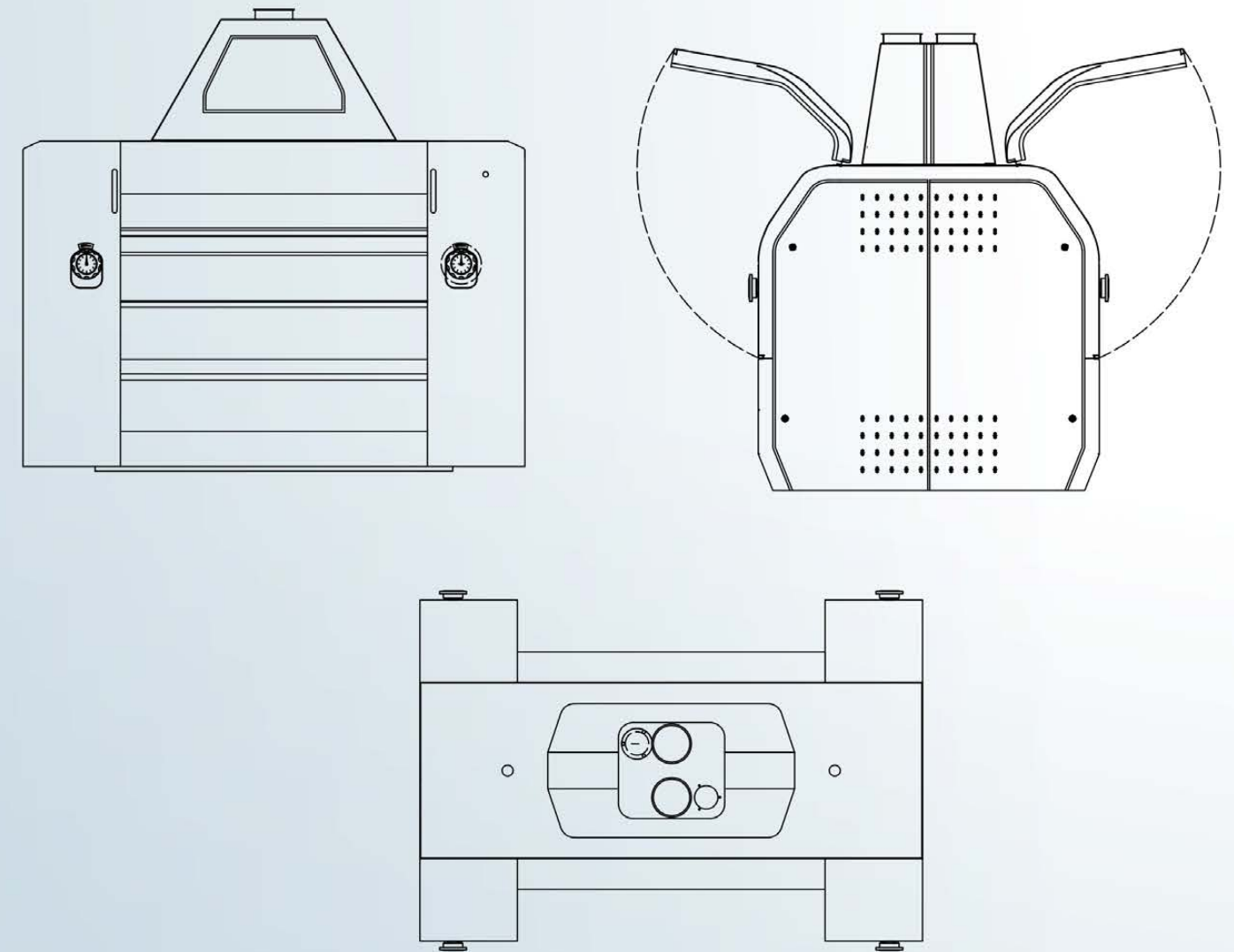


MMR Roller Mill



The roller mill is the main equipment for milling section in flour mills. The wheat is stripped mainly by a pair of grinding rollers with speed difference and relative rotation and ground into flour when endosperm is peeled off from wheat bran.

- MMR mill is a high-end product, leading the future market. The contact part of material is made of food-grade 304 stainless steel, no dead angle, no residue;
- Easy to flip the feeding unit, easy to clean the feeding area;
- The grinding roller unit, a spin off from the grinding body assembly, convenient operation, reducing paring time;
- Variable speed feeding, the feed will increase to the limitation, change the feeding environment, improving the grinding quality and saving energy;
- Permanent magnet synchronous motor speed control, and more efficiency than ordinary motor, cleaner;
- Tooth elastic wedge band tensioning device can self-compensate the micro-change and improve the service life of the band;
- The whole case iron base, higher stability of equipment.



| Items | | Unit | Specification | | |
|--------------------------|----------|-------|-------------------------------|----------------|----------------|
| Model | | | MMR25/1250 | MMR25/1000 | MMR25/800 |
| Roll Diameter×Length | | mm | Φ250×1250 | Φ250×1000 | Φ250×800 |
| Diameter Range of Roll | | mm | Φ250 – Φ230 | | |
| Fast Roll Speed | | r/min | 450 – 650 | | |
| Gear Ratio | | | 1.25:1 1.5:1 2:1 2.5:1 | | |
| Feed Ratio | | | 1:1 1.4:1 2:1 | | |
| Half Equipped with Power | Motor | | 6Grade | | |
| | Power | KW | 37、30、22、18.5、15、11、7.5、5.5 | | |
| Main Driving Wheel | Diameter | mm | Φ360 | | |
| | Groove | | 15N(5V)Type 6Grooves 4Grooves | | |
| Working Pressure | | Mpa | 0.6 | | |
| Dimension(L×W×H) | | mm | 2060×1422×1997 | 1810×1422×1997 | 1610×1422×1997 |
| Gross Weight | | kg | 3800 | 3200 | 2700 |