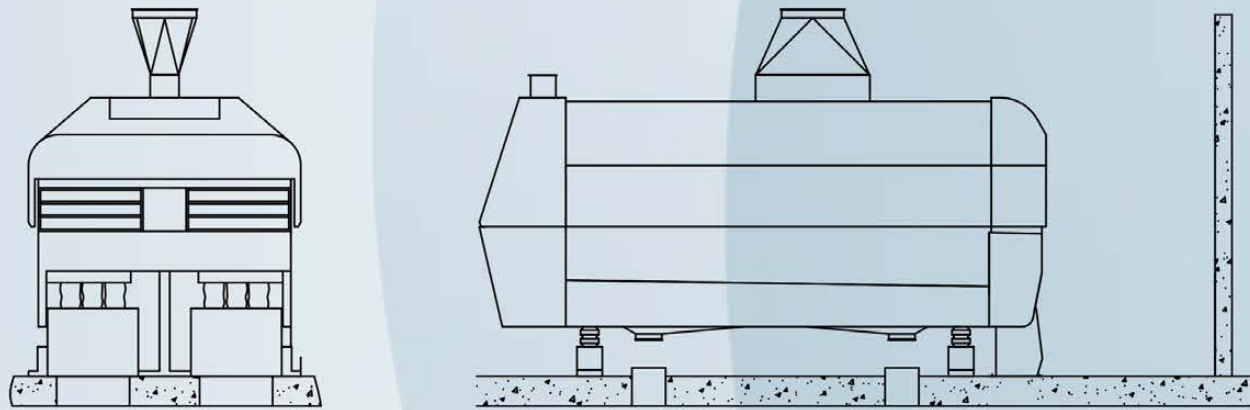


HFQFD Environmental Protection High Effect Purifier



It is mainly used to purify endosperm particles after screening.

- Streamline design, Good looking
- Contact material stainless steel material to ensure product hygiene
- The variable diameter curved air duct solves the air duct accumulation powder
- Full seal set trough
- Whole sealing operation, environmental protection and efficient

Items	Model	HFQFD49×2×3
Output(t/h)		0.6~2.8
Allocated air,s amount (m ³ /min)		40~70
Power(kW)		2×0.25
Vibration motor model		YZU-5-10A
Weight(Kg)		1035
Overall dimension(L×W×H)(mm)		2700×1290×1750

FQFD High Effect Purifier



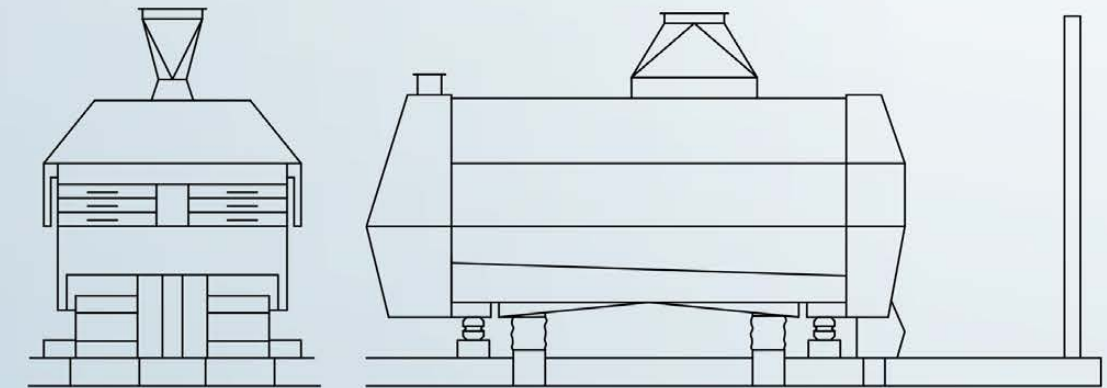
Type II

It is mainly used to purify endosperm particles after screening.

- National level new products
- Good processing effect
- Smooth running
- Low noise
- Long service life
- Easy maintenance
- Variable diameter circular air duct
- Good suction effect
- Large screen area, high efficiency



Type III



Items	Model	FQFD49×2×3A	FQFD60×2×3A	FQFD49×1×3A
Output(t/h)		0.6~2.8	0.7~3.3	0.2~1.4
Allocated air amount (m ³ /min)		40~70	50~85	20~40
Power(kW)		2×0.25	2×0.25	2×0.18
Vibration motor model		YZU-5-10A	YZU-6-10A	YZU-3-10A
Weight(Kg)		1020	1220	550
Overall dimension(L×W×H)(mm)		2700×1290×1750	2750×1490×1850	2446×800×1654