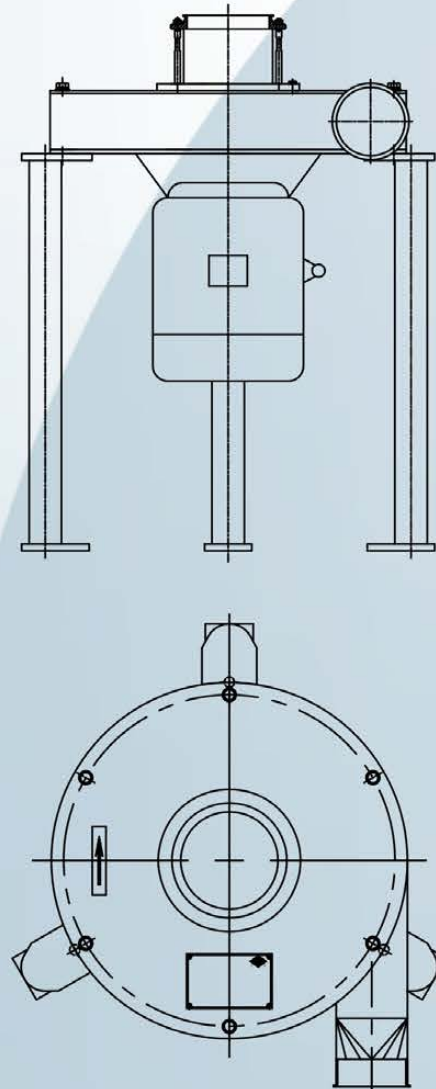


FSJZ IMPACTOR DETACHER FSJZ Strong IMPACTOR DETACHER



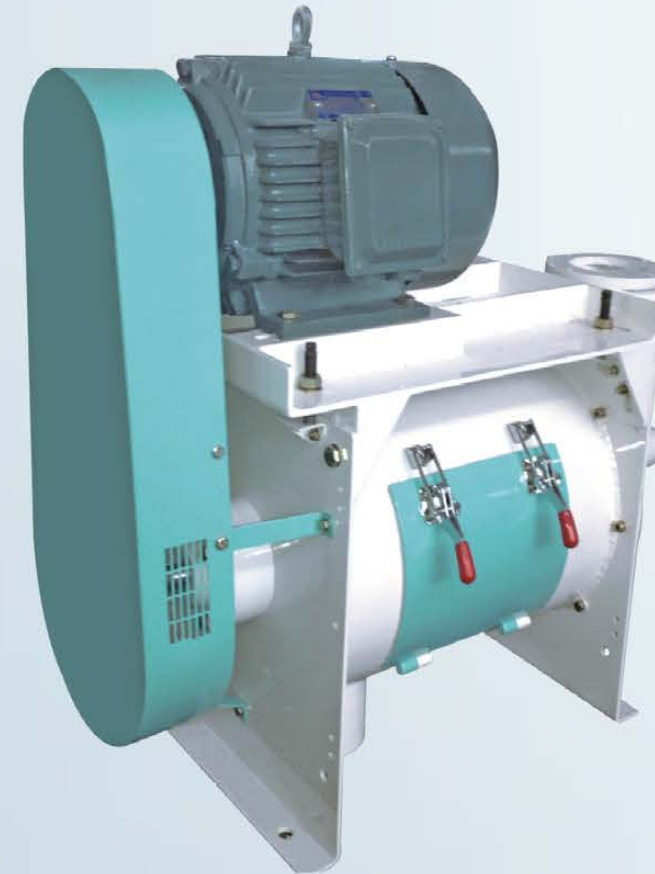
It is used to smash the endosperm flakes through rotors rotating with high speed.

- Ensure the looseness of particle
- Occupying less space
- No dust emission
- Easy to operate and maintain



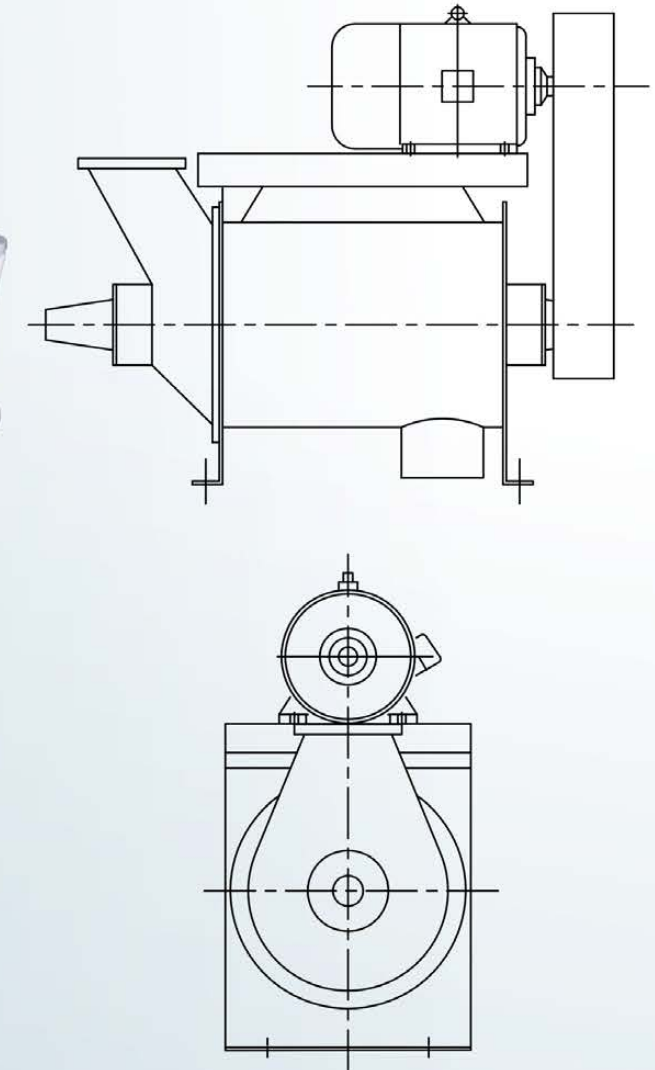
Items	Model	FSJZ36pa	FSJZ43pa	FSJZ43qa	FSJZ51qa
Process capacity(t/h)		0.8~1	1.5~6	0.75~0.9	0.8~4
Power(kW)		3~4	3~7.5	4~5.5	4~15
Motor speed(rpm)		2900	2900	2900	2900
Weight(Kg)		110~122	118~175	151~170	171~251
Overall dimension (L×W×H)(mm)		520×520×(660~710)	590×520×(542~617)	594×538×(562~617)	654×618×(562~712)

FSJD Beater Flour Detacher



It is used to smash and detach material after milling.

- Used for loosening material, mild crushing embryo
- Not affecting the ash content and whiteness of flour
- Collision and friction to looseness and separation



Diameter(cm)	29		
Rotor speed(rpm)	960		
Motor type	Y100L2-4	Y112M-4	Y132S-4
Motor power(kW)	3	4	5.5
Motor speed(rpm)	1430	1440	1440
Output(t/h)	1.3-1.6	1.7-2.1	1.8-2.2
Weight(Kg)	126	132	155
Overall dimension(mm)	A	855×690×485	855×710×485
	B	855×365×740	855×365×760
		855×760×485	855×365×810