

TBLM Cylinder Low Pressure Pulse Fabric Filter



The machine is used to clean dust, It is widely used in grain, food industries, etc.

- Good cleaning result
- Wide application

Items Model	Sieve length (mm)	Air volume (m ³ /h)	Areas of sieve (m ²)	Air lock for model A		Scraper for model A	Air lock for model C		Air pump	
				Kw	Type		Kw	Kw	Type	Kw
TBLM26	1800	2720~3250	17.2	0.75	4	0.75	0.75	4	1.5	ZYB40A
	2000	2910~3630	19.1							
	2400	2300~4770	23							
TBLM39	1800	4770~6360	25.7	0.75	6	0.75	0.75	6	1.5	ZYB60A
	2000	5300~7060	28.7							
	2400	6350~8470	36.4							
TBLM52	1800	6350~8470	35.2	1.1	8	0.75	0.75	8	2.2	ZYB60A
	2000	7020~9410	38.2							
	2400	8460~11300	46.1							
TBLM78	1800	9500~12700	51.5	1.1	10	1.1	1.1	10	2.2	ZYB60A
	2000	10580~14110	57.3							
	2400	12700~16900	69.1							
TBLM104	1800	12700~16900	68.5	1.1	12	1.5	1.1	12	2.2	ZYB80A
	2000	14110~18820	76.5							
	2400	16900~22560	92.1							
TBLM130	1800	15900~21170	88.1	1.1×2	10	1.5	1.1	12	3	ZYB100A
	2000	17640~23520	97.9							
	2400	21170~28200	117.5							
TBLM156	1800	17640~23520	97.9	1.1×2	10	1.5	1.1	12	3	ZYB100A
	2000	21170~28200	117.5							
	2400	25400~33840	137.4							

TBLMY High Pressure Pulse Fabric Filter

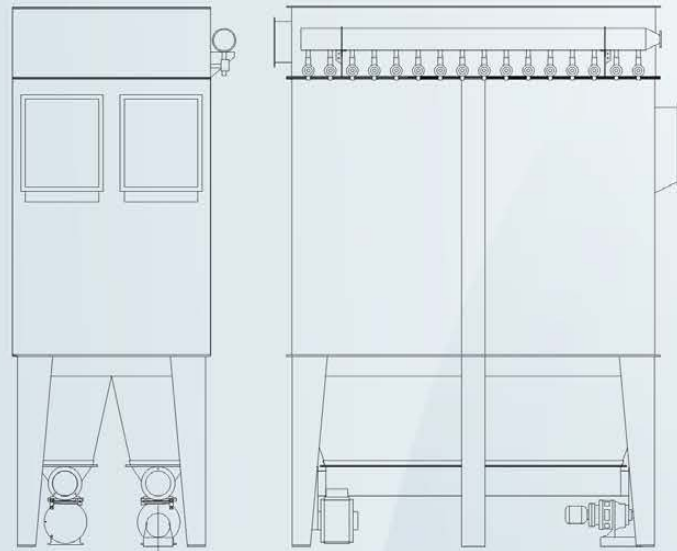


The machine is used to purify the air with dust and collect the dust materials. It is widely used in warehousing, grain, food industries, etc.

- Ventilation and dust cleaning
- Wide application

Items Model	sieve length (mm)	Air volume (m ³ /h)	Sieve area (m ²)	Air lock for model A		Scraper for model A	Air lock for model C	
				Kw	Type		Kw	Kw
TBLMY26	1800	2720~3250	17.2	0.75	4	0.55	0.75	4
	2000	2910~3630	19.1					
	2400	2300~4770	23					
TBLMY39	1800	4770~6360	25.7	0.75	6	0.75	0.75	6
	2000	5300~7060	28.7					
	2400	6350~8470	36.4					
TBLMY52	1800	6350~8470	35.2	1.1	8	0.75	0.75	8
	2000	7020~9410	38.2					
	2400	8460~11300	46.1					
TBLMY78	1800	9500~12700	51.5	1.1	10	1.1	1.1	10
	2000	10580~14110	57.3					
	2400	12700~16900	69.1					
TBLMY104	1800	12700~16900	68.5	1.1	12	1.5	1.1	12
	2000	14110~18820	76.5					
	2400	16900~22560	92.1					
TBLMY130	1800	15900~21170	88.1	1.1×2	10	1.5	1.1	12
	2000	17640~23520	97.9					
	2400	21170~28200	117.5					
TBLMY156	1800	17640~23520	97.9	1.1×2	10	1.5	1.1	12
	2000	21170~28200	117.5					
	2400	25400~33840	137.4					

BLM • F High Pressure Pulse Fabric Filter

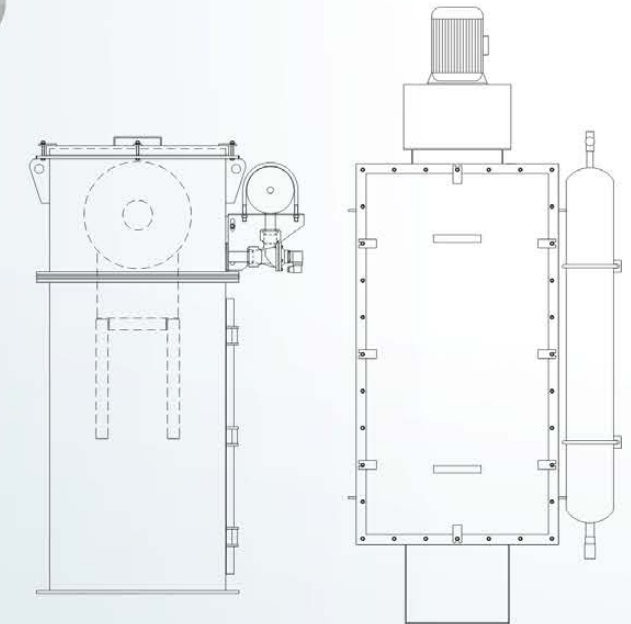
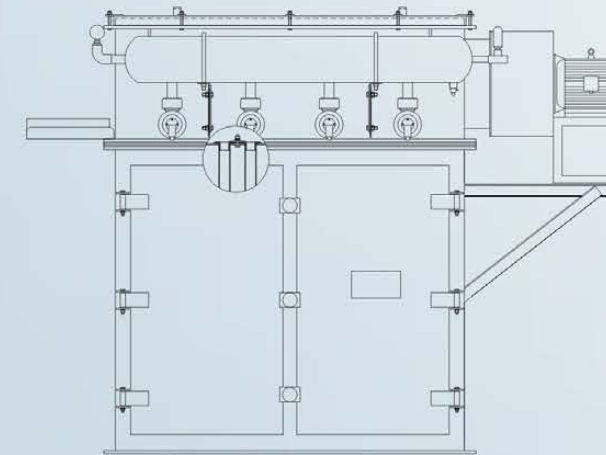


The machine is used to purify the air with dust and collect the dust materials. It is widely used in warehousing, grain, food industries, etc.

- Ventilation and dust cleaning
- Wide application

Items \ Model	BLM • F48	BLM • F60	BLM • F72	BLM • F84	BLM • F96	BLM • F108	BLM • F120	BLM • F132
Sieve area(m ²)	36.2	45.2	54.3	63.3	72.4	81.4	90.5	99.6
Sieve quantity	48	60	72	84	96	108	120	132
Air volume(m ³ /h)	6150-8680	8130-10840	9770-13000	11400-15200	13000-17370	14650-19530	16290-21700	17940-24300
Power (kW)	8	10	12	14	16	18	20	22
Power (kW)	1.1	1.1	1.1	1.1	1.5	2.2	2.2	2.2
Sieve,s norms (mm)	φ 120 × 2000							
Filtration velocity (m/min)	3~4							
Air leakage rate (%)	≤5							
Spur pressure (MPa)	< 0.4~0.6							
Equipment (Pa)	< 1200							
Dedmst efficiency(%)	≥99.5							

TZMBCa Pulse Flat Bag Filter



The machine is a new type of dust removal equipment. It is widely used in unloading area, silos, etc.

- High efficiency
- Compact structure
- Small volume
- Flexible arrangement
- Convenient installation and maintenance

Items \ Model	Technological parameters					
	Fan type	Fan air quantity	Fan voltage	Motor power	Filtration area	Gas consumption
TZMBCa.6	T4-72-2.8A	1500m ³ /h	940Pa	1.5KW	6m ²	0.15m ³ /min
TZMBCa.9	T4-72-2.8A	1800m ³ /h	860Pa	1.5KW	9m ²	0.23m ³ /min
TZMBCa.12	T4-72-3A	2200m ³ /h	900Pa	2.2KW	12m ²	0.3m ³ /min
TZMBCa.15	T4-72-3.2A	3000m ³ /h	1000Pa	2.2KW	15m ²	0.38m ³ /min
Technological parameter	Equipment resistance	Collection efficiency				
	≤600Pa	≥99.9%				