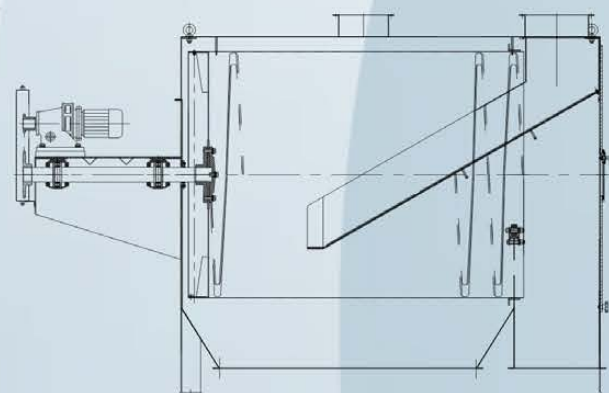
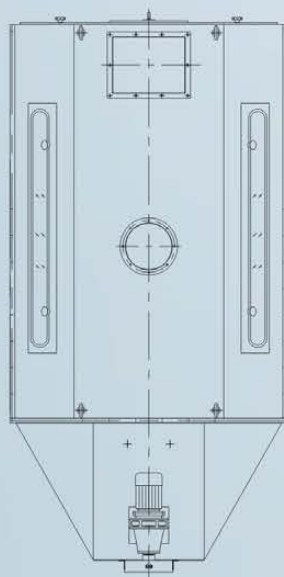
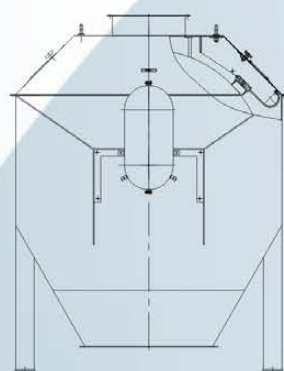


TSCY Drum Pre-cleaning Sieve

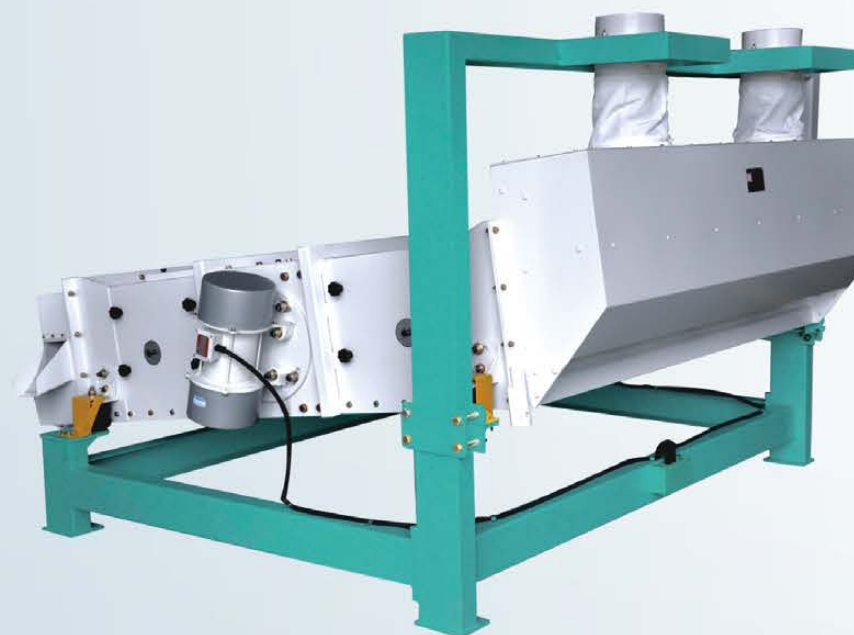


It is used to remove large impurities in rice, flour, feed and wine processing industries.

- Beautiful shape
- Modern modeling
- Good processing performance

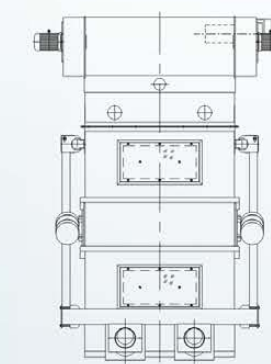
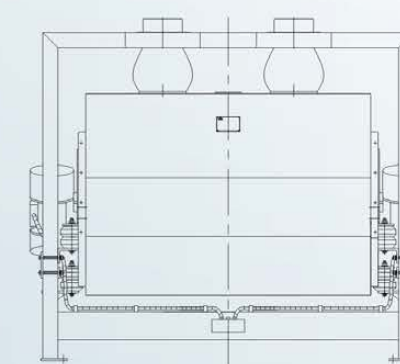
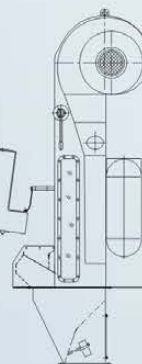
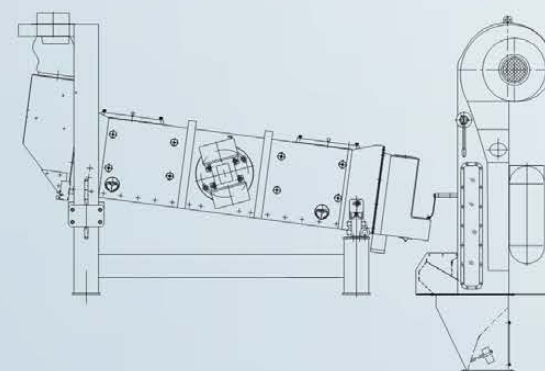
| Items | Model | TSCY42 | TSCY63 | TSCY80 | TSCY100 | TSCY120 | TSCY125 | TSCY150 |
|-------------------------------|-------|----------------|----------------|----------------|----------------|----------------|----------------|----------------|
| Output (t/h) | | 5~10 | 10~20 | 20~40 | 30~60 | 40~80 | 50~100 | 60~120 |
| Allocated air amount (m³/min) | | 4 | 8 | 12 | 18 | 25 | 30 | 35 |
| Power (kW) | | 0.37 | 0.55 | 0.75 | 1.1 | 1.5 | 1.5 | 1.5 |
| Reducer type | | BWD120-23-0.37 | BWD120-23-0.55 | BWD150-35-0.75 | BWD150-35-1.1 | BWD180-35-1.5 | BWD180-35-1.5 | BWD180-43-1.5 |
| Weight(kg) | | 170 | 290 | 395 | 510 | 730 | 900 | 1150 |
| Overall dimension (L×W×H)(mm) | | 1180×680×1100 | 1707×840×1240 | 2038×1020×1560 | 2120×1220×1680 | 2380×1430×1918 | 3031×1499×1920 | 3031×1749×2170 |

TQLZ Vibration Sieve



It is mainly used to clean and remove large, medium, small and light impurities.

- Low noise
- Large processing
- Low consumption of energy
- Good cleaning result
- No dust emission



| Model | Items | Sieve's area (mm) | Output(T/h) | | Power(kW) | Motor Type | Weight (Kg) | Over dimension (L×W×H)(mm) |
|----------------|-------|-------------------|-------------|--------|-----------|------------|-------------|----------------------------|
| | | | Pretreat | Settle | | | | |
| TQLZ60×100 | | 600×1000 | 15 | 4.8 | 2×0.25 | YZU-4-6A | 350 | 1785×1080×1468 |
| TQLZ100×100 | | 1000×1000 | 25 | 8 | 2×0.25 | YZU-4-6A | 520 | 1685×1563×1673 |
| TQLZ100×150 | | 1000×1500 | 37.5 | 12 | 2×0.37 | YZU-5-6A | 620 | 2180×1563×1673 |
| TQLZ100×200 | | 1000×2000 | 45 | 15 | 2×0.37 | YZU-5-6A | 720 | 2675×1563×1823 |
| TQLZ150×150 | | 1500×1500 | 45 | 15 | 2×0.55 | YZU-8-6A | 935 | 2180×2115×1723 |
| TQLZ150×200 | | 1500×2000 | 60 | 20 | 2×0.55 | YZU-9-6A | 1040 | 2675×2115×1823 |
| TQLZ180×200 | | 1800×2000 | 70 | 22 | 2×0.75 | YZU-10-6A | 1140 | 2675×2466×1823 |
| TQLZ200×200 | | 2000×2000 | 75 | 25 | 2×0.75 | YZU-12-6A | 1250 | 2675×2643×1823 |
| TQLZ125×200B×2 | | 1250×2000×2 | 110 | 35 | 4×0.55 | YZU-8-6A | 1750 | 2430×1528×2185 |