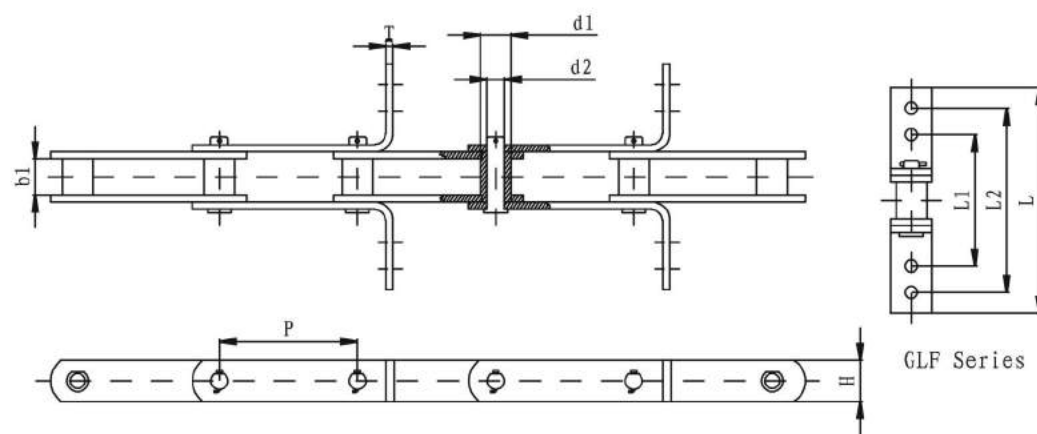


# Conveyor Chains and Scraper

● Chains adopt high quality medium-carbon alloy steel, chain plate material is 40Mn, pin and roller material is 40Cr. High quality material and good heat treatment guarantee excellent anti-shearing force and tensile strength during working

## Bush Roller Chain

● **Model:** GLF bush roller chain in TGSS horizontal scraper conveyor, install BF type scraper

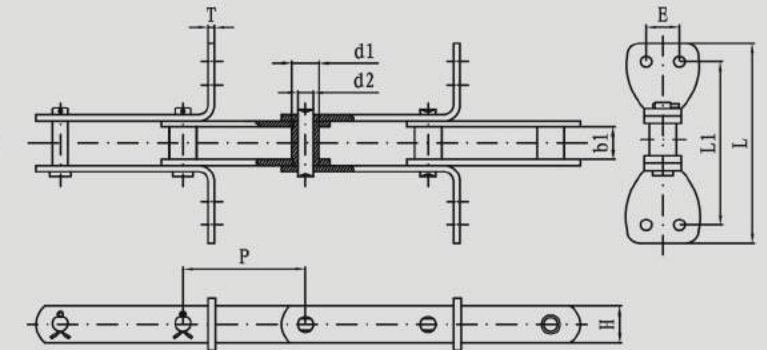


Model	Pitch P	Inner width b1	Roller diameter d1	Pin diameter d2	Plate width H	Plate thickness T	Plate channels L	Hole space L1	Hole space L2	Hole diameter	Breaking Load in KN(Min.)
GLF66.5(5-6)DX160	66.5	26.5	22.23	12.7	30	5-6	160	102		2-φ9X14	130
GLF66.5(5-6)DX230	66.5	26.5	22.23	12.7	30	5-6	230	95	195	2-φ9X14	130
GLF66.5(5-6)DX270	66.5	26.5	22.23	12.7	30	5-6	270	102	228	4-φ9X14	130
GLF66.675(6)DX182	66.675	26.5	22.23	12.7	30	6	182	90	150	4-φ9X14	130
GLF66.675(6)DX215	66.675	26.5	22.23	12.7	30	6	215	95	195	4-φ9X14	130
GLF66.675(6)DX295	66.675	26.5	22.23	12.7	30	6	295	95	195	4-φ9X14	130
GLF100(6)DX170	100	38.5	36	16	40	6	170	115		2-φ9X14	220
GLF100(6)DX225	100	38.5	36	16	40	6	225	95	195	4-φ9X14	220
GLF100(6)DX294	100	38.5	36	16	40	6	294	115	245	4-φ9X14	220
GLF100(6)DX370	100	38.5	36	16	40	6	370	155	255	4-φ9X14	220
GLF125(6)DX300	125	32.5	25	18	50	6	300	115	245	4-φ9X14	180
GLF125(6)DX370	125	32.5	25	18	50	6	370	130	330	4-φ9X14	180
GLF160(6)DX385	160	36.5	36	17.8	50	8	385	130	330	4-φ11X15	200
GLF200(8)DX467	200	42.5	40	20	60	8	467	160	420	4-φ13X17	250

● **Note:** Other specifications which are not listed above can be customized.

## Bush Roller Chain

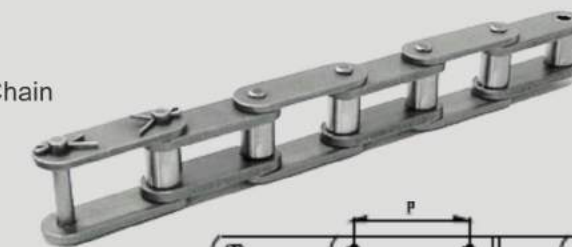
● **Model:** GLR bush roller chain used in TGSU arc scraper conveyor, install BR type scraper



Model	Pitch P	Inner width b1	Roller diameter d1	Pin diameter d2	Plate width H	Plate thickness T	Plate channels L	Hole space L1	Hole space L2	Hole diameter	Breaking Load in KN(Min.)
GLR68(4)	68	26	22.23	9.5	23	4		79		2-φ7	50
GLR68(5)	68	25.32	22.23	11.1	29	5		102	32	4-φ9	90
GLR66.5(5-6)D	66.5	26.5	22.23	12.7	30	5/6	130	102	32	4-φ9	130
GLR100(6)D	100	38.5	36	16	40	6	130	102	32	4-φ9	220
GLR60(6)D	60	26	22.23	12.7	30	6	130	100	32	4-φ9	130
GLR80(6)D	80	32	28	18	42	6	130	120	32	4-φ9	230

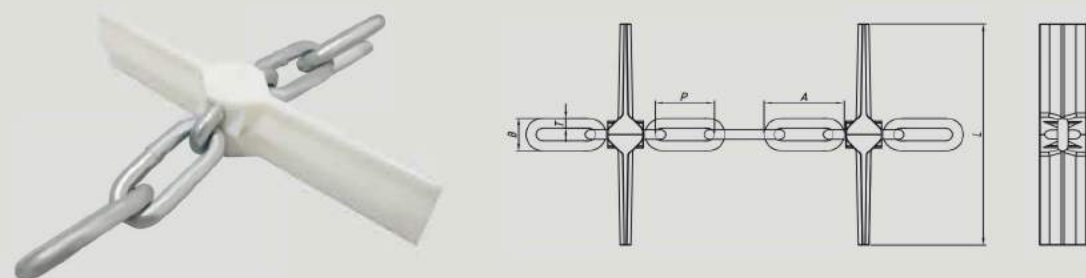
## Bush Roller Chain

● **Model:** Lumber Conveyor Chain



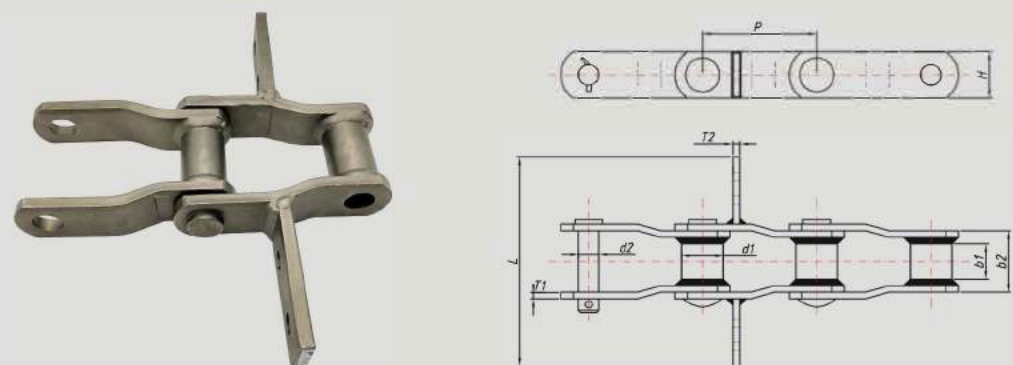
Model	Pitch P	Inner width b1	Roller diameter d1	Pin diameter d2	Plate width H	Plate thickness T	Minimum Tensile Strength in (KN)
81X	66.27	26.99	23.03	11.1	28.6	4	106
81XH					32.3	6/8	152
81XHH					32.3	8	187

### Ring Chain



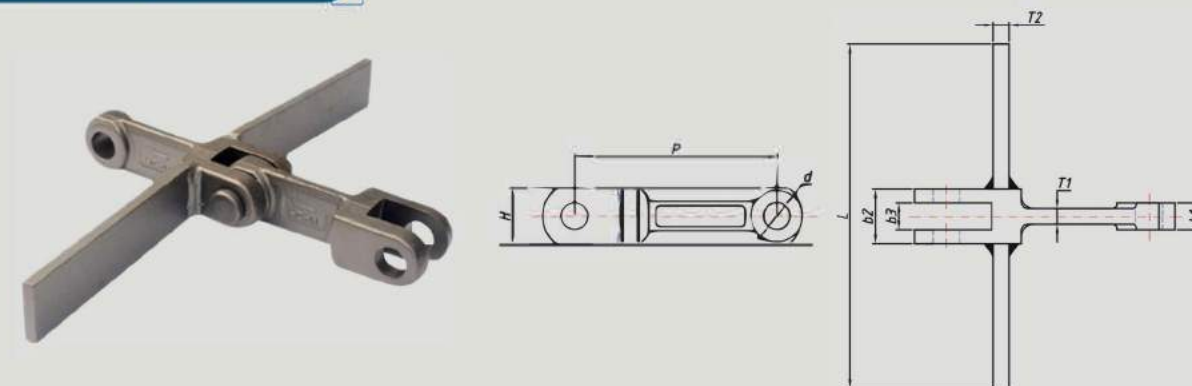
Conveyor Model	Nylon scrapper model	Chain Pitch P	A	B	T	Plate Channels	Scrapper Width
GSS16	HF16	55	74	32.5	10	148	43.5
GSS20	HF20	55	74	32.5	10	188	43.5
GSS25	HF25	55	74	32.5	10	225	43.5
GSS32	HF32	70	95	45	14	300	54.5
GSS40	HF40	70	95	45	14	382	54.5

### Welded Chain

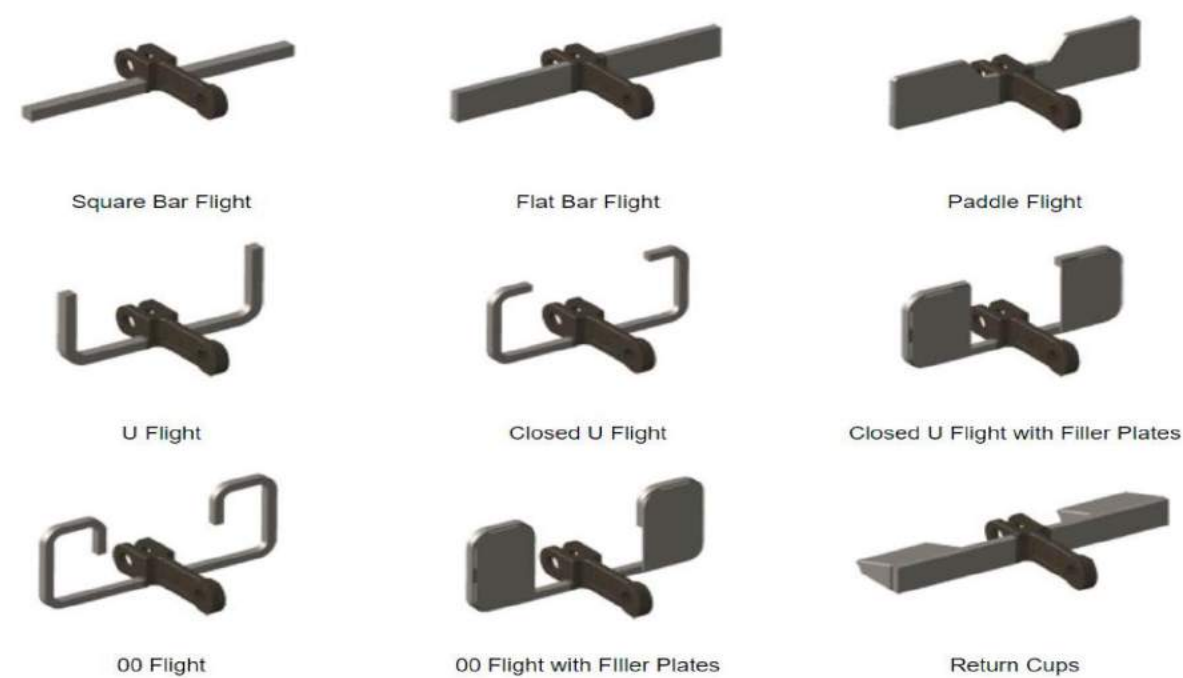


Model	Pitch P	Roller Diameter d1	Pin diameter d2	Plate width H	Inside width b1	Outside width b2	T1	T2	L	Tensile strength
WH78	66.27	22.23	12.7	28.4	28.4	51	6.4	Welded attachment plate can be customized		150
WH82	78.1	27	14.29	32	44	57	6.4			93.4
WH124	101.6	36.5	19.05	38.1	41.3	70	9.5			224.6
WH132	153.67	44.45	25.25	50.8	77.1	111.76	12.7			378
WH150	153.67	44.45	25.25	63.5	77.1	111.76	12.7			398
WH155	153.67	44.45	28.42	63.5	73.6	111.25	14.27			411
WH157	153.67	44.45	28.42	63.5	76.4	117.35	15.88			552

### Drop-forged chain

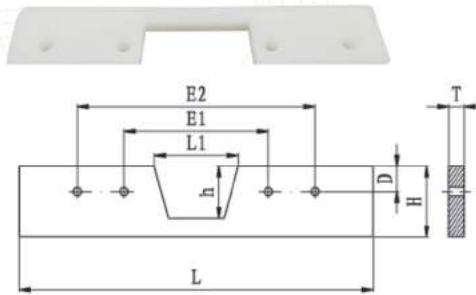


Pitch P	Pin diameter d	Plate width H	b1	b2	b3	T1	T2	L	Ultimate Strength (KN)
101A	14	35	8	24	9	6	6(8)	*	100
102	14	36	12	28	13	8	6(8)	*	150
102F	14	38	14	33.5	15	10	6(8)	*	180
125	16	36	15	36	16	10	6(8)	*	210
142	25	50	19	42	20	12	8(10)	*	350
142H	25	50	28	62	30	15	8(10)	*	450
160	25	50	20	43	22	12	6(8,10)	*	350
200	32	70	30	70	32	25	6(8,10)	*	600



### BF Scrapper

Model: BF type for TGSS horizontal scrapper conveyor  
 Material: HDPE/NYLON/PU/UHMW-PE/PTFE



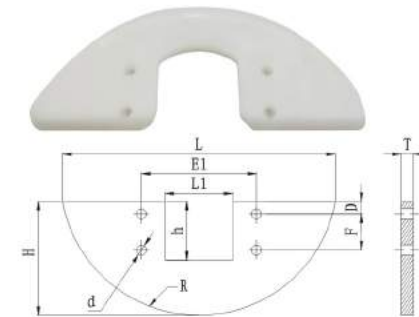
#### Technical Parameter of BF Type:

Model	L	L1	T	H	h	E1	E2	D	d	Remark
BF360X45	360	75	14	45	33	102	228	19	9	The hold space, diameter can be adjusted according to client's requirement
BF305X55	305	70	14	55	37	95	195	22	9	
BF305X50	305	90	14	50	35	115	245	15	9	
BF305X45	305	75	14	45	33	102	228	19	9	
BF284X45	284	75	14	45	33	102	228	19	9	
BF255X49	255	70	14	49	35	105	190	16	9	
BF240X49	240	72	14	49	36	95	195	17	9	
BF208X49	208	70	14	49	36	90	150	17	9	
BF194X49	194	70	14	49	36	90	150	15	9	
BF185X50	185	90	14	50	35	115		15	9	
BF184X45	184	75	14	45	33	102		19	9	
BF145X45	145	75	14	45	33	102		19	9	

NOTE: Non-standard flights can be customized

### BR Scrapper Scrapper for Conveyor Chain

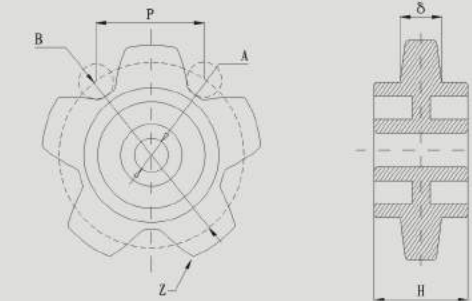
Model: BR type for TGSU arc scrapper conveyor  
 Material: HDPE/NYLON/PU/UHMW-PE/PTFE



#### Technical Parameter of BR Type:

Model	L	L1	T	H	h	R	E1	E2	D	d
BR205X142	390	60	15	142	56	205	102	32	18	9
BR198X148	375	60	14	148	77	198	142	32	26	9
BR185X132	350	60	14	132	58	185	102	32	19	9
BR162X108	303	104	14	108	67	162				
BR158X126	300	50	14	126	50	158	111.6	32	16	9
BR158X110	300	60	14	110	55	158	102	32	21	9
BR155X110	295	80	14	110	55	155	120	32	20	9
BR146X125	285	60	13	125	50	146				
BR135X110	262	72	10	110	53	135	102	32	19	9
BR125X100	242	60	10	100	52	125	102	32	11	9
BR122X90	230	60	10	90	40	122	102	32	14	9
BR110X77	200	40	9	77	42	110	50		53	9
BR110X70	195	48	10	70	40	110	90		11	9
BR100X90	196	60	10	90	45	100	102	32	14	9
BR100X74	180	55	10	74	43	100	102	32	12	9
BR90X90	180	60	10	90	43	90				
BR80X70	160	52	10	70	46	80	74	27	12	7
BR80X58	150	50	10	58	30	80	80		14	7

### Nylon Gear Wheel



Model	A(mm)	S(mm)	δ(mm)	H (mm)	Pitch (mm)	Gear number
TG38.1X7	φ18	φ87.8	12.5	25	38.1	7
TG38.1X8	φ26	φ99.3	20	50	38.1	8
TG63.5X5	φ20	φ108	17	45	63.5	5
TG66.5X4	φ20	φ94.05	25	57	66.5	4
TG66.5X5	φ20-25	φ100	25	57	66.5	5
TG66.5X6	φ26	φ125	25	57	66.5	6
TG68X4	φ20	φ96.17	25	45	68	4
TG68X5	φ25	φ115.6	24	47	68	5
TG76.2X5	φ25	φ129.6	22.5	50	76.2	5
TG100X5B	φ25	φ170.0	24.5	59	100	5
TG100X5	φ25	φ170.0	34.2	70	100	5

### Sprocket

