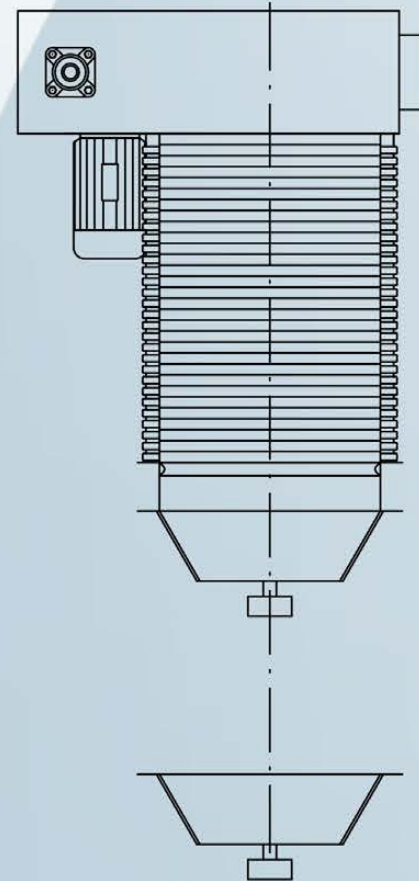


### TZRG Loading Hose

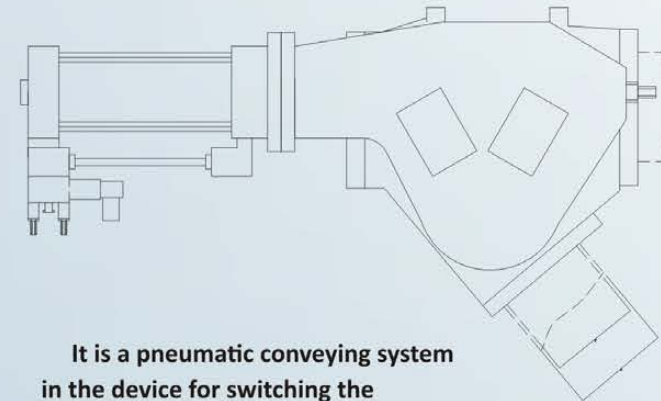


It is ideal equipment for bulk material distribution. The machine is widely applied in the distribution of grain, cement, coal, electricity and other bulk material and applicable to bulk material from the train, truck load, ship loading multiple delivery activities.

- Safe and reliable work
- Control the dust effectively
- Novel structure
- Large expansion ratio

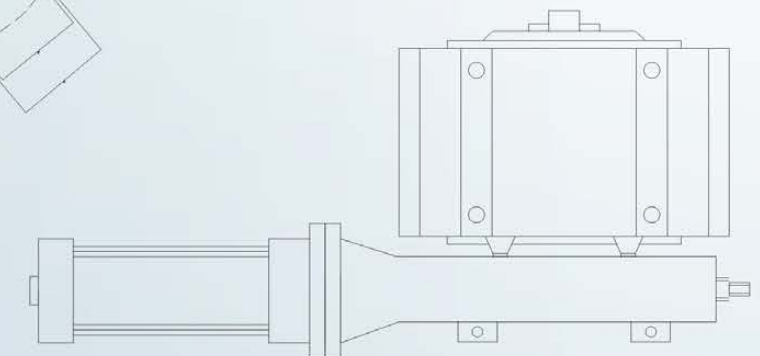
Loading Capacity(t/h)	Adjustable Length(m)		Suction air flow (m <sup>3</sup> /h)
	1.5~3.0	3.5~4.0	
	Power(kW)		
100	0.37	0.37	1100
200	0.55	0.75	1500
300			2000
400			2200
500	0.75	1.1	2400
600	1.1	1.1	2600
800			3000
1000			3500

### THFX Cock Valve (Two-way Valve)



It is a pneumatic conveying system in the device for switching the direction of the material. It is widely used in flour, bran, starch, grain, feed, sugar, chemical products, plastics and other powder materials.

- Using lost wax casting metal film
- Flexible rotation of the spool in the valve body
- No leakage



Specification	DN (mm)	Duct bifurcation angle	Heat Temperature (°C)	Body work pressure(kPa)			Cylinder	
				Suction	Pressure feed	Low transport	Diameter /Stroke (mm)	Working Pressure (Mpa)
THFX6.5×2	65	Two angles for users to choose	100	50	100	400	50/100	0.4-0.6
THFX8×2	80						50/100	
THFX10×2	100						63/100	
THFX12×2	125						80/125	
THFX15×2	150						100/125	
THFX18×2	175						100/125	