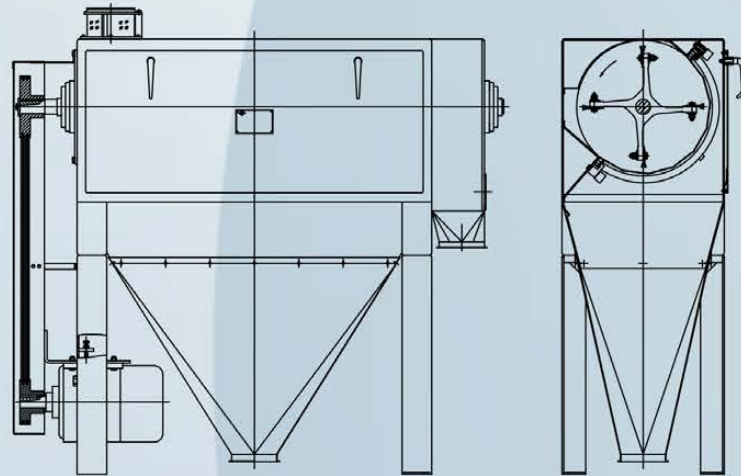


FFPDa Horizontal Bran Finisher



It is used to reduce friction load during the milling process.

- Improve the flour yield
- Reduce the flour content in the bran



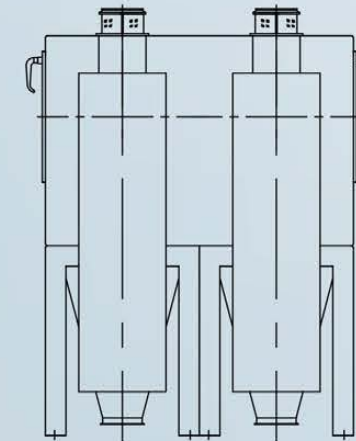
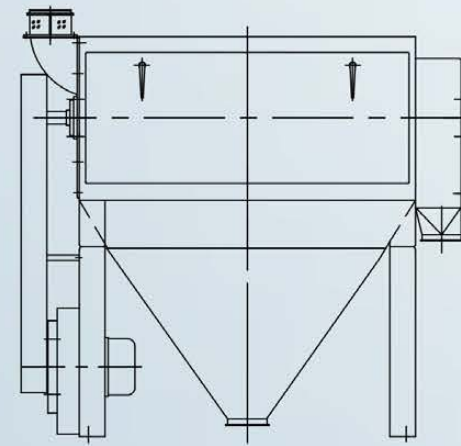
Items	Model	FFPD30×1a	FFPD30×2a	FFPD45×1a	FFPD45×2a
Output(t/h)		0.9	2×0.9	1.5	2×1.5
Power(kW)		2.2	2×2.2	5.5	2×5.5
Spindle Speed(rpm)		1400	1400	1050	1050
Air Suction(m ³ /min)		5	10	7	14
Weight(Kg)		236	440	378	720
Overall Dimension (L×W×H)(mm)		1315×540×1305	1315×1075×1305	1658×625×1575	1658×1246×1575

FFPS Horizontal Spiral Bran Brushing-Finisher



It is used to reduce friction and improve flour yield during the milling process.

- Jiangsu hi-tech product
- It has double functions of brushing and beating
- High flour yield
- Good quality



Items	Model	FFPS45×1	FFPS45×2
Output		1.25~1.9	2.5~3.8
Power(kW)		2.2~5.5	2×(2.2~5.5)
Main shaft rotator speed(rpm)		430	430
Weight(Kg)		381~420	751~840
Overall dimension(L×W×H)(mm)		1757×750×1662	1757×1350×1662