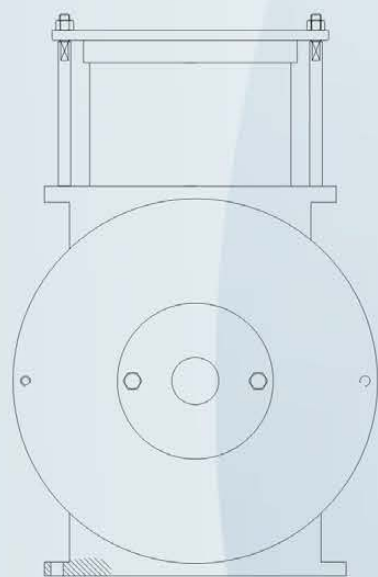


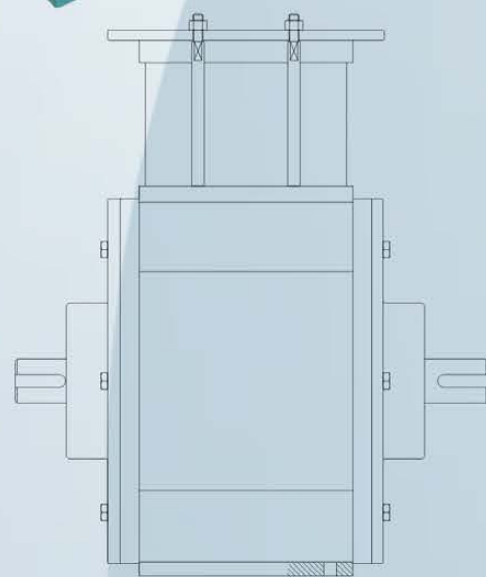
TGFY Anti-clogging Airlock

It is used to separate air, powder and particle materials continuously and smoothly under pressure. It is an important equipment in air delivery, ventilation and dust cleaning network. It is widely used in grain, food, feed and other industries.

- Good looking
- Reasonable structure
- Safe and reliable operation
- Low energy consumption



A1



B1

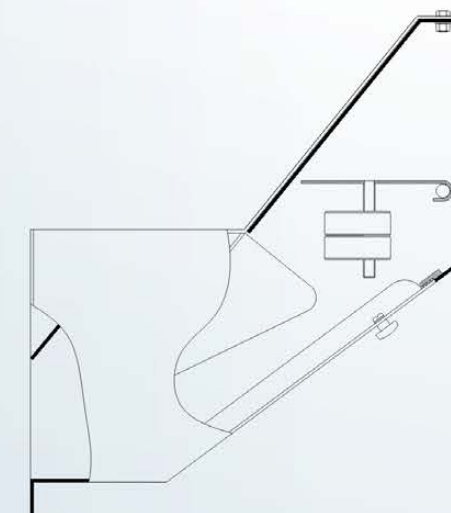
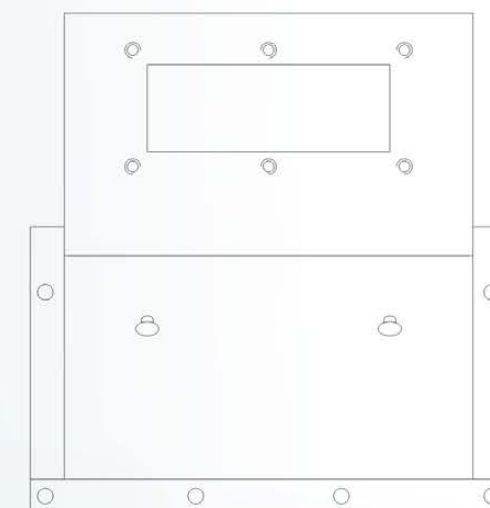
Items	Model	TGFY5b	TGFY7b	TGFY9b
Output		5	7	9
Rotatory speed(rpm)		45	48	48
Weight(kg)		47	60	77
Overall dimension (L×W×H) (mm)		376×290×435	410×310×463	460×310×463

TCXP Magnetic Separation



It is used to separate magnetic impurities from bulk materials. It is ideal equipment for flour, rice milling, feed enterprises.

- Self design
- Unpowered machine
- Ideal equipment



Items	Model	TCXP20	TCXP30	TCXP40	TCXP50
Magnet length(mm)		200	300	400	500
Output(t/h)		≤7	≤10	≤14	≤17
Magnetic induction intensity (mT)		≥300	≥300	≥300	≥300
Magnetic material removal rate (%)		≥98	≥98	≥98	≥98
Weight(kg)		15	22	42	45
Overall dimension (L×W×H) (mm)		277×458×380	377×458×380	491×520×450	591×520×450