

TQX-2458YH

2.4,5GHz

Dual Band OMNI Antenna

Technical Sheet



Applications

- 2.4G/5G WLAN system
- IEEE 802.11a/b/g/n

Features

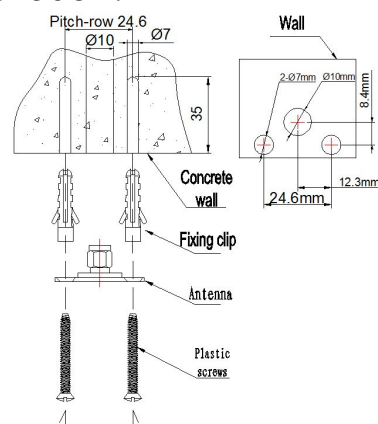
- Dual band
- Broad bandwidth, low VSWR, good stabilization
- Firm configuration
- Beautiful outline, small size
- Easy installation

Specifications

Model	TQX-2458YH	
Freq. range-MHz	2400-2500	5150-5850
Bandwidth-MHz	100	700
Gain-dBi	3	3
VSWR	≤2.0	
Impedance -Ω	50	
Polarization	Vertical	
Max. Power -W	2	
Connector	RPSMA male or customization	
Size -mm	53×32.6×1.5	
Weight -g	15	
Mounting way	Screws	
Antenna tinct	White	

Installation Sketch

Wall Installation:



Ceiling Installation:

