

**KBT****870-960MHz 11dBi Fiberglass Omni Antenna****TQJ-900Q11-M****Application**

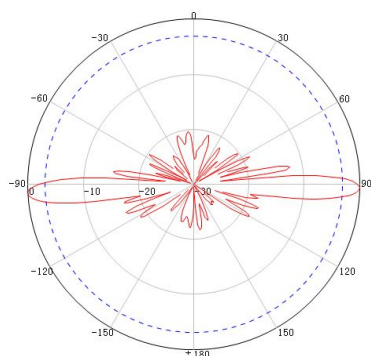
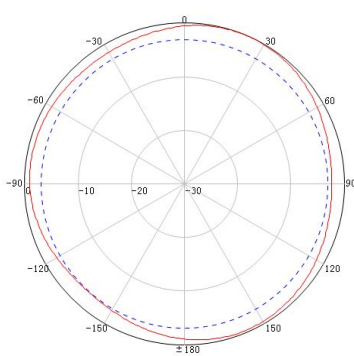
Used in GSM system, Wireless Data Transmission System , RFID system

**Electrical specifications**

Frequency range (MHz)	870~960
Polarization	Vertical
Gain (dBi)	11±1
Electrical Downtilt (°)	/
Half-power beam width (°)	H:360,E:6.5
Front-to-back ratio (dB)	/
Cross-polar discrimination (dB)	/
Isolation (dB)	/
Impedance (Ω)	50
VSWR	≤1.5
Intermodulation IM3 (2×43dBm carrier)	≤-150 dBc
Maximum power (W)	300
Lighting protection	DC Grounded

**Mechanical specifications-**

Connector	7/16DIN-K
Connector position	Bottom
Height/width/depth (mm)	φ 60* (3160±5)
Packing size (mm)	3310*110*120
Weight (kg)	4±0.2 (exclude the bracket)
Radome material	Fiberglass
Radome color	White
Mechanical tilt (°)	/
Operating temperature (°C)	-40~65
Rated wind velocity (m/s)	60
Suitable pole diameter (mm)	35-50
Mounting kit	JM-1UI

**870~960MHz: E Plan****870~960MHz: H Plan.**

Kenbotong reserves the right to change specifications without prior notice.

No.2 ChanxiuRoad, Foshan, Guangdong, China. 528061 Tel: +86-757-82219788 Fax: +86-757-82212072

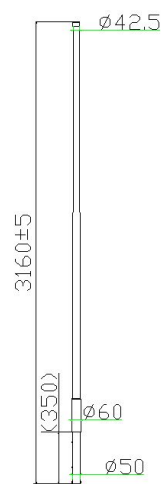
Email: kbt@kenbotong.com Web: http://www.kenbotong.com


**KBT**
**870-960MHz**
**11dBi Fiberglass Omni Antenna**

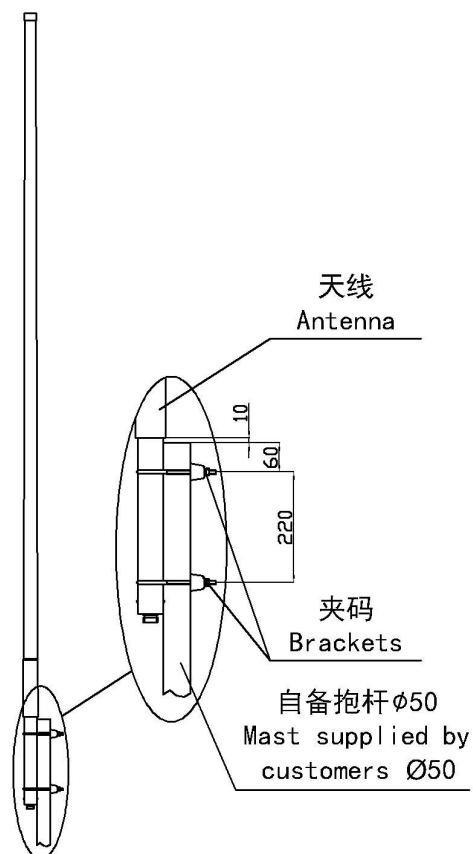
Product Pictures



Dimensional drawings



## Installation Sketch



Kenbotong reserves the right to change specifications without prior notice.

No.2 ChanxiuRoad, Foshan, Guangdong, China. 528061 Tel: +86-757-82219788 Fax: +86-757-82212072

 Email: kbt@kenbotong.com Web: <http://www.kenbotong.com>