

# TQJ-2458XTJF

## Indoor Ceiling Mount Antenna

### Technical Sheet



#### Applications

- 2.4/5.8GHz super broadband
- WLAN system

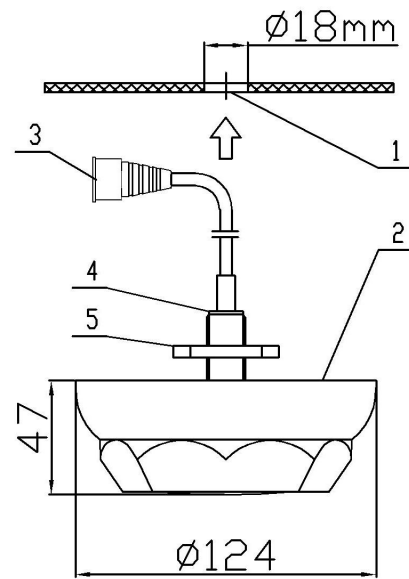
#### Features

- Small size, Light weight, Good appearance
- Ceiling Mount

#### Specifications

Model	TQJ-2458XTJF
Freq.Range-MHz	2400-2500 /5150-5850
Gain-dBi	3 / 5
VSWR	≤2.0
Hor.Beamwidth-°	360
Ver.Beamwidth-°	50
Impedance-Ω	50
Polarization	Vertical
Max.Power-W	50
Connector	1*N Female
Dimensions-mm	φ124×47
Weight-g	135
Radome Material/color	ABS /White
Mounting	Fixed with Bolt and Nut

#### Installation Sketch



- 1、Ceiling (Drill hole)
- 2、Antenna
- 3、Connector
- 4、Plastic Bolt
- 5、Plastic Nut

