

TQJ-230C

Omni Fiberglass Antenna

Technical Sheet



Applications

- 220 to 290MHz Band
- Multipoint Coverage
- Wireless Monitor System
- Wireless Video System
- Wireless Trunk System

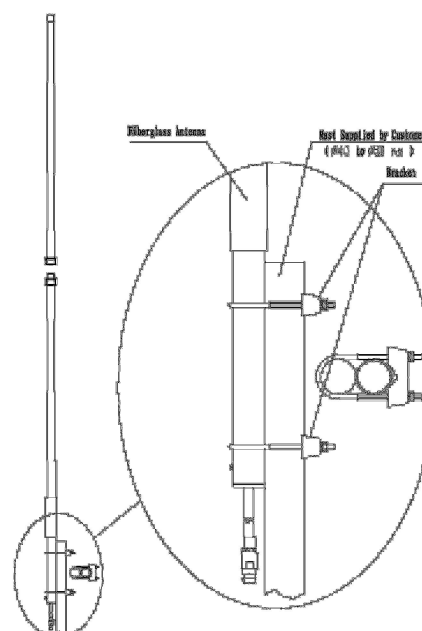
Features

- High Gain, Small Size
- Broad Band
- Fiberglass Radome
- Designed in Sections, Easy to Transport
- Stable Steel Mounting Kit

Specifications

Model	TQJ-230C
Freq. Range-MHz	220 to 290
Bandwidth-MHz	9
Gain-dBi	8.5
Ver.Beamwidth-°	14.5
VSWR	≤1.5
Impedance-Ω	50
Polarization	Vertical
Max.Power-W	150
Connector	N female or customized
Length-m	3.9±0.1
Weight-Kg	4.4±1
Mast Diameter-mm	φ40 to 50
Remark: The fiberglass is divided into two sections.	

Installation Sketch



1. Connect the two sections of the antenna as figure;
2. Fix the antenna on the mast using the U bolt supplied;
3. Fasten all the screws after the system passes testing, and waterproof the connector.





Kenbotong Technology Co., Ltd.

Addr :NO.2 Chanxiu Road ,Foshan city,Guangdong China Code:528061
Tel: 86(757)8202-5597, 8221-9788 Fax : 86(757)8221-2072,8802-2808
Email: kbt@kenbotong.com web: <http://www.kenbotong.com>