

# TQJ-2000T8A

## Fiberglass Omni Antenna

### Technical Sheet

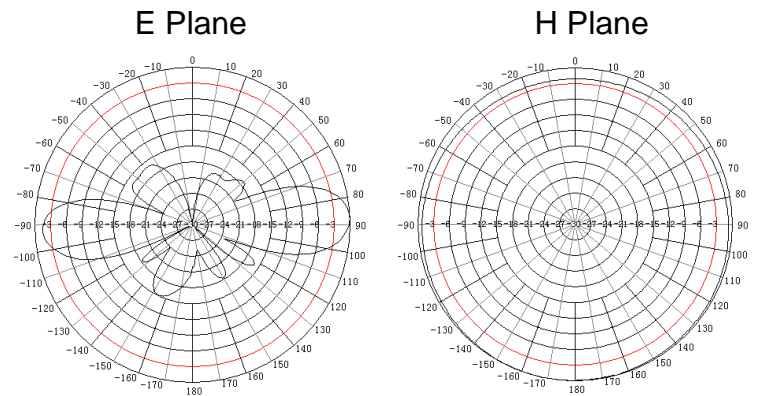


#### Applications

- 3G band
- Point to multipoint

#### Features

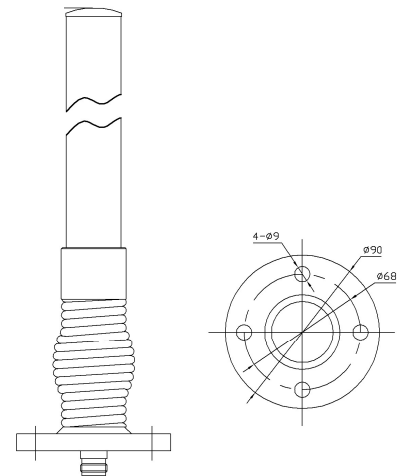
- High gain and low VSWR
- High quality fiberglass radome
- Crashworthy spring at bottom
- Frank mount
- Integral N female connector



#### Specification

Model	TQJ-2000T8A
Freq.Range-MHz	2000~2170
Bandwidth-MHz	170
Gain-dBi	8
Ver.Beamwidth-°	16
VSWR	≤1.5
Impedance-Ω	50
Polarization	Vertical
Max.Power-W	100
Connector	N-K
Dimension-mm	690
Mounting way	Frank mount
Weight-Kg	1
Rated Wind Velocity-m/s	60

#### Installation Sketch



Kenbotong Technology Co., Ltd.

Addr :NO.2 Chanxiu Road ,Foshan city,Guangdong China Code:528061  
 Tel: 86(757)8202-5597, 8221-9788 Fax : 86(757)8221-2072,8802-2808  
 Email: kbt@kenbotong.com web: <http://www.kenbotong.com>