

TQJ-150Q6

2-Element Dipole Array Antennas

Technical Sheet



Applications

- 150MHz TETRA Communications
- Wireless Paging System
- Wireless Data transmission system
- Wireless Video System

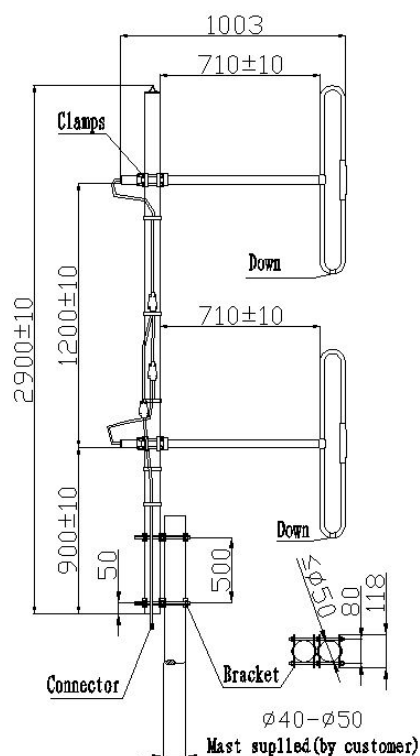
Features

- Broad Band, Low VSWR
- Medium Gain
- 2-element dipole array antennas
- 300W High Power
- Pattern Adjustable Offset circular, cardioids, or bidirectional

Specifications

Model	TQJ-150Q6
Freq.Range -MHz	145~175
Bandwidth -MHz	30
Gain -dBd (dependent on pattern)	3-5.6
Ver.Beamwidth -°	35
VSWR	≤1.5
Impedance-Ω	50
Max.Power-W	300
Polarization	Vertical
Connector	N Female or 7/16DIN
Dimensions(H×D)-mm	2900±10×1003
Weight-Kg	7(exclude the bracket)
Lightning Protection	DC Grounded
Wind rating -m/s	60
Note: Exclude the JM-DB Bracket(Mast Supplied by customer)	

Installation Sketch



(Harness not shown)Support mast is customer-supplied

