

TQJ-150Q3

1-Element Dipole Array Antenna

Technical Sheet



Applications

- 150MHz TETRA Communications
- Wireless Paging System
- Wireless Data transmission system
- Wireless Video System

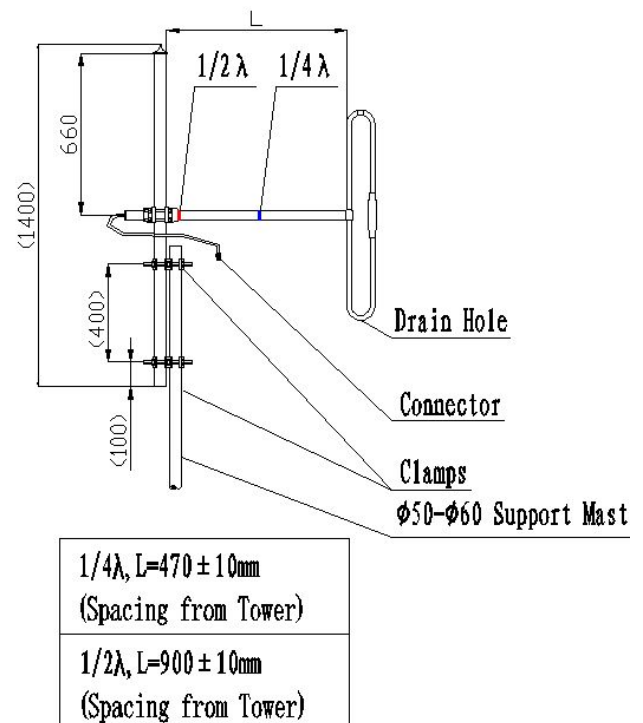
Features

- Broad Band, Low VSWR
- Medium Gain
- 1-element dipole antenna
- 300W High Power
- Pattern Adjustable Offset circular, cardioids, or bidirectional

Specifications

Model	TQJ-150Q3
Freq.Range -MHz	145~175
Bandwidth -MHz	30
Gain -dBd (depend on pattern)	1-2.5
Ver.Beamwidth -°	80
VSWR	≤1.5
Impedance-Ω	50
Max.Power-W	300
Polarization	Vertical
Connector	N Female or 7/16DIN
Dimensions(H×D)-mm	1400±10×1003
Weight-Kg	3 (exclude the bracket)
Lightning Protection	DC Grounded
Wind rating -m/s	60
Note: Exclude the JM-DB Bracket(Mast Supplied by customer)	

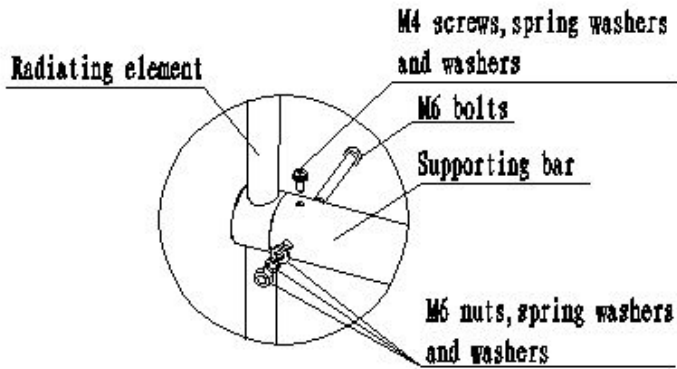
Installation Sketch



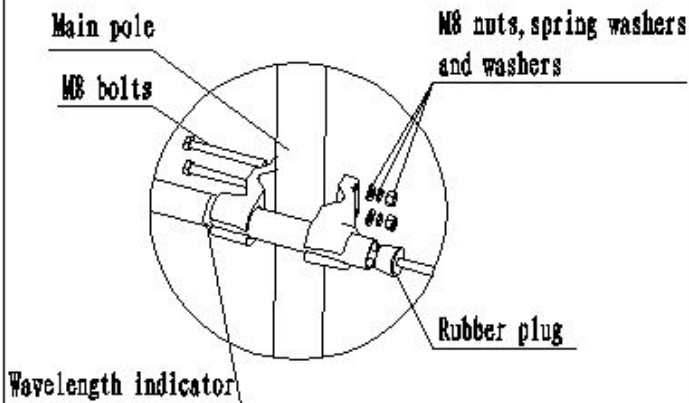
(Harness not shown)Support mast is customer-supplied



Step 1: Mount the radiating element to supporting bar



Step 2: Fasten the clamp to secure supporting bar to main pole



Step 3: Mount the antenna base to the mast

