



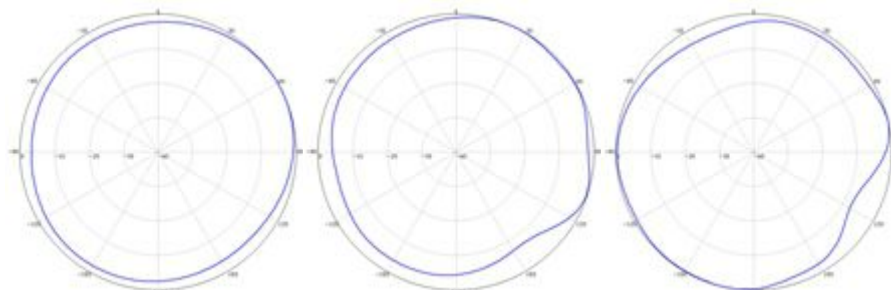
- Ultra Low Profile
- 2G/3G/4G/5G
- Support current main popular communication system

Low PIM Ceiling Mount Antenna			
Electrical specifications	TQJ-0740XTLA-M		
Frequency range (MHz)	698~960	1710~2700	3300~4000
Polarization	Linear, Horizontal		
Gain (dBi) (Max)	3	4	5
VSWR	≤1.5		
Azimuth beam width (°)	360, omnidirectional		
Impedance (Ω)	50		
Intermodulation IM3 (2×43dBm carrier)	≤-150dBc		
Maximum power (W)	50		



Mechanical specifications	
Connector	4.3-10 Female or N Female
Connector position	Bottom
Height/width/depth (mm)	Φ179×8
Packing size (mm)	195×195×75
Weight (g)	220±10
Radome material	ABS
Radome color	White (RAL 9003)
Operating humidity (%)	5~95
Operating temperature (°C)	-40~60
Mounting	Fixed with nut

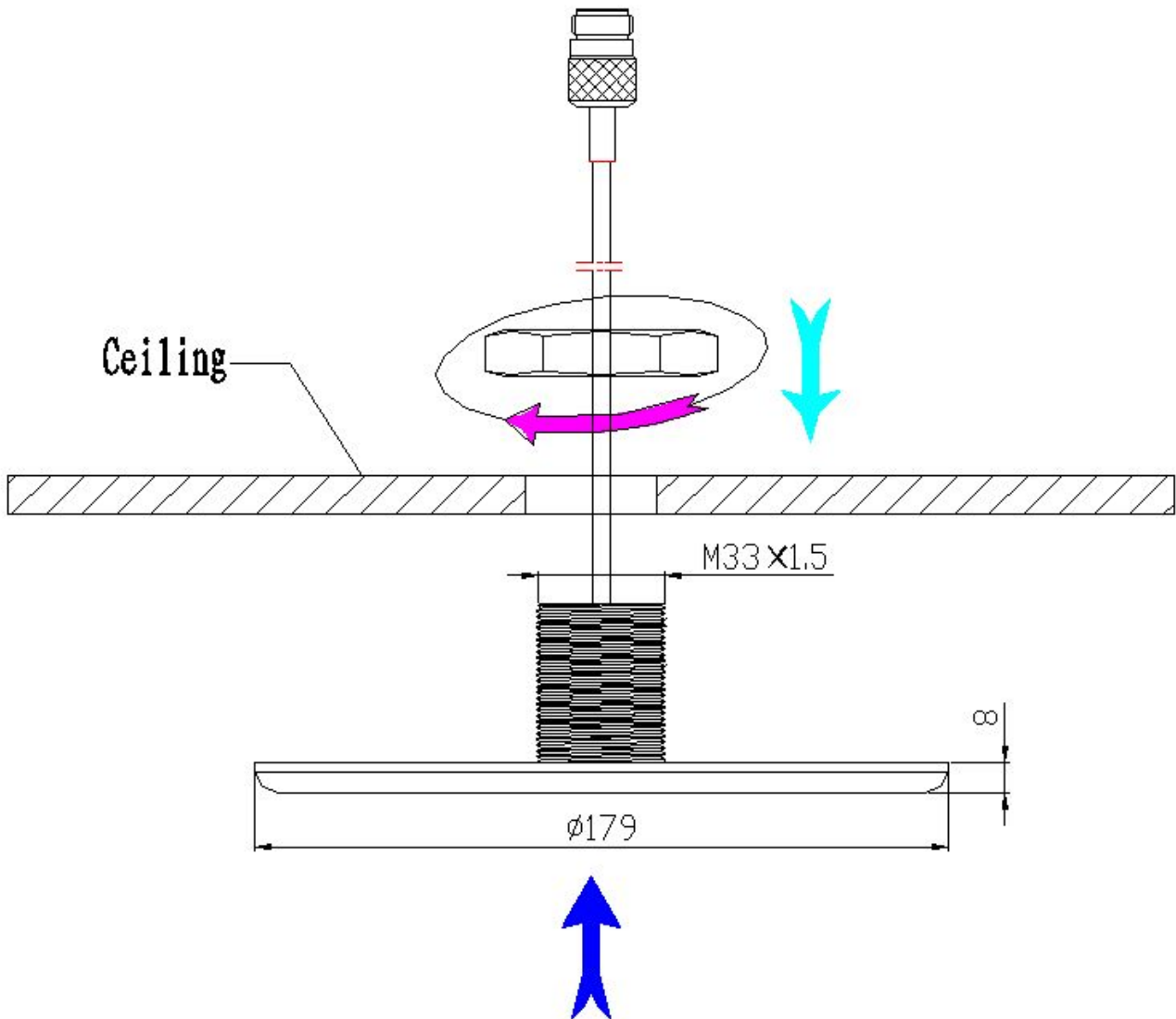
**Typical Patterns:**



**698~960MHz:**

**1710~2700MHz:**

**3300~4000MHz:**



1. Drill a  $\Phi 35 - \Phi 40$  hole on the ceiling
2. Install the antenna as the following picture shows then tighten the bolts.
3. Connect the RF jumper to antenna connector.

**NOTE:**The antenna please not to install on the big area metals, in order to prevent influence antenna result.