

**KBT**

617~698/698~960/1695~2700/3300~4200/4800~6000MHz  
4/4/5/6/7dBi Low PIM Omnidirectional ceiling antenna

**TQJ-0660XTLA-M****Application**

Used in 2G/3G/4G/5G/WLAN system

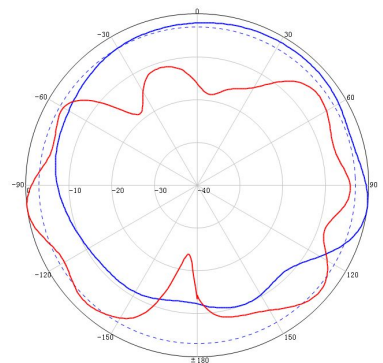
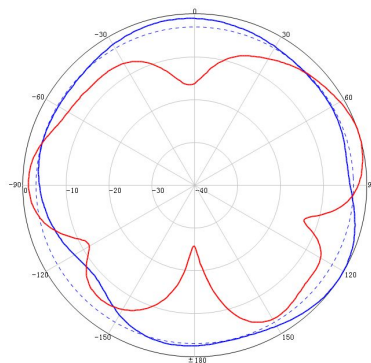
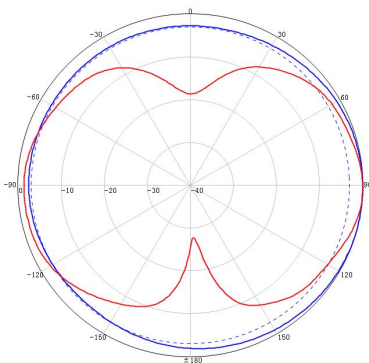
**Electrical specifications**

Frequency range (MHz)	617~698	698~960	1695~2700	3300~4200	4800~6000
Polarization	Linear, Horizontal				
Typical Gain (dBi)	4	4	5	6	7
Horizontal beam width (°)	360, omnidirectional				
Typical Vertical beam width (°)	70	68	50	60	30
Impedance (Ω)	50				
VSWR	≤2.0		≤1.5		
Intermodulation IM3 (2×43dBm carrier)	/	≤-153 dBc	≤-153 dBc	/	/
Maximum power (W)	50				

**Mechanical specifications**

Connector	4.3-10 Female or N Female
Exposed cable size (cm)	30
Connector position	Bottom
Antenna size (mm)	Φ250*8
Packing size (mm)	265*265*90
Weight (kg)	0.4
Radome material	ABS
Radome color	White (RAL 9003)
Operating humidity (%)	5~95
Operating temperature (°C)	-40~60
Application	Indoor
Mounting	Fixed with nut

**617~960MHz Typical pattern:      1695~2700MHz Typical pattern:      3300~6000MHz Typical pattern:**





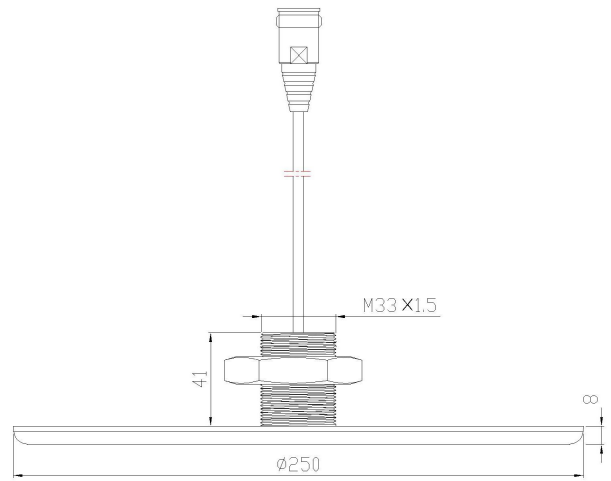
**KBT**

617~698/698~960/1695~2700/3300~4200/4800~6000MHz  
4/4/5/6/7dBi Low PIM Omnidirectional ceiling antenna

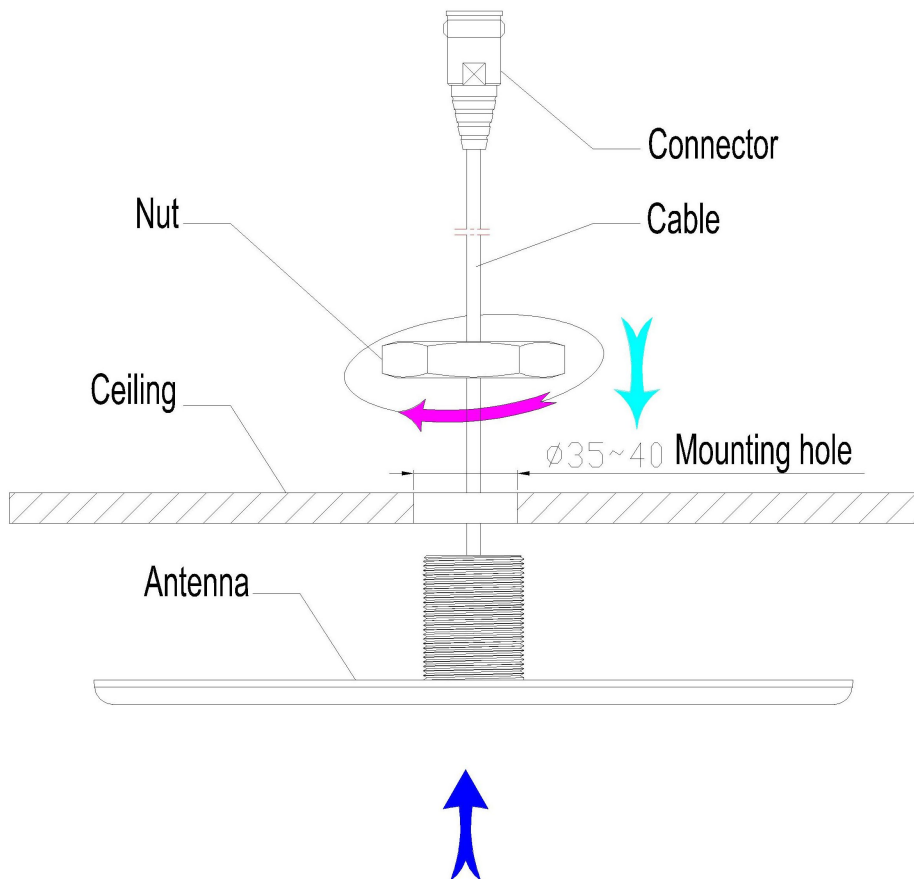
Product pictures



Product size



### Installation Sketch



1. Drill a  $\Phi 35 - \Phi 40$  hole on the ceiling.
2. Install the antenna as the following picture shows then tighten the bolts.
3. Connect the RF jumper to antenna connector.

**NOTE:**The antenna please not to install on the big area metals, in order to prevent influence antenna result.