

**KBT**

380-698/698-960/1710-2700/3300-3800MHz Omni Ceiling Mount Antenna

2/3/6.5/5dBi**TQJ-0438XDK**

Application

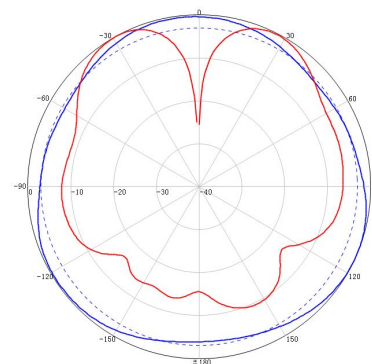
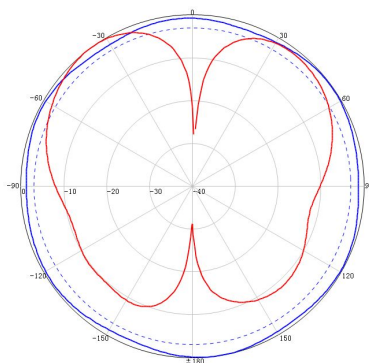
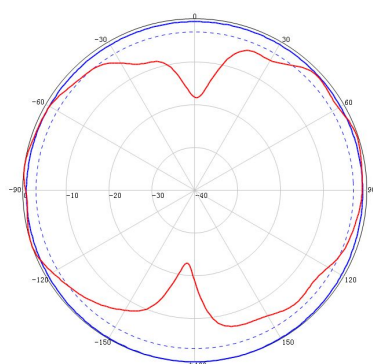
Support Wireless Transmission Digital Cluster/2G/3G/4G/5G system

Electrical specifications

Frequency Range (MHz)	380-698	698-960	1710-2700	3300-3800
Polarization	Vertical			
Gain (dBi)	2±1	3±1.5	6.5±1.5	5±1
Horizontal Power Beam Width (°)	360			
Vertical Power Beam Width (°)	85	60	45	35
Impedance (Ω)	50			
VSWR	≤2.2		≤2.0	
Maximum Power (W)	50			

Mechanical specifications

Connector	N Female or Customized
Lead Length (cm)	20 or Customized
Connector Position	Bottom
Diameter / Height (mm)	(Φ320*175) ±2
Packing Size (mm)	273*273*274
Weight (kg)	0.7±0.1
Radome Material	ABS
Radome Color	White
Operating Temperature (°C)	-40-+60
Application	Indoor
Mounting	Ceiling Mount

380-960MHz Typical Pattern:**1710-2700MHz Typical Pattern:****3300-3800MHz Typical Pattern:**

**KBT**

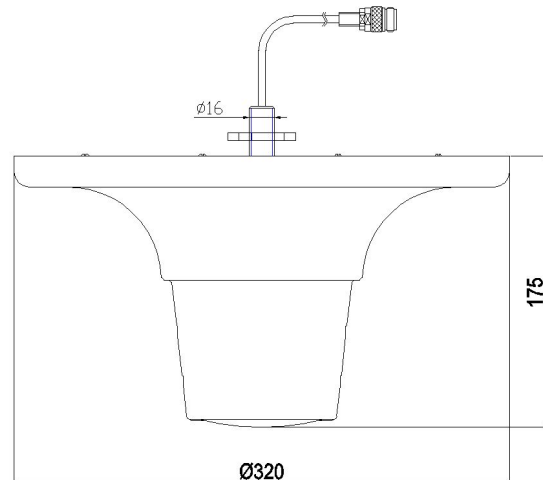
380-698/698-960/1710-2700/3300-3800MHz
Omni Ceiling Mount Antenna

2/3/6.5/5dBi

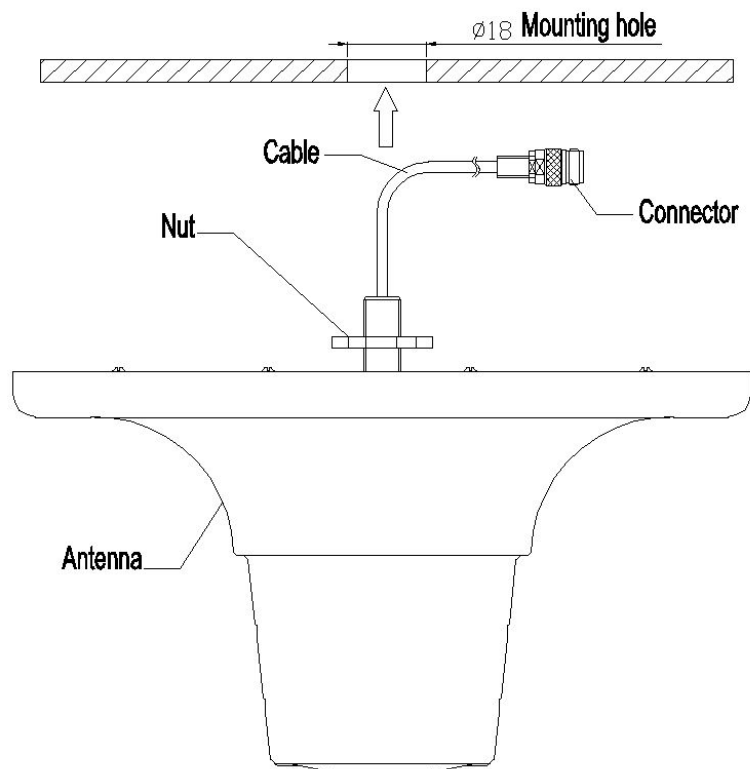
Product Picture



Product Size



Installation Sketch



1. Drill a $\Phi 18 - \Phi 25$ hole on the ceiling.
2. Install the antenna as the following picture shows then tighten the bolts.
3. Connect the RF jumper to antenna connector.