

**KBT****617-698/698-960/1710-2690/3300-4200/4900-7125MHz  
2.5/4/6/6/4.5dBi Omni Antenna**

TQC-0670G6×2W

**Application**

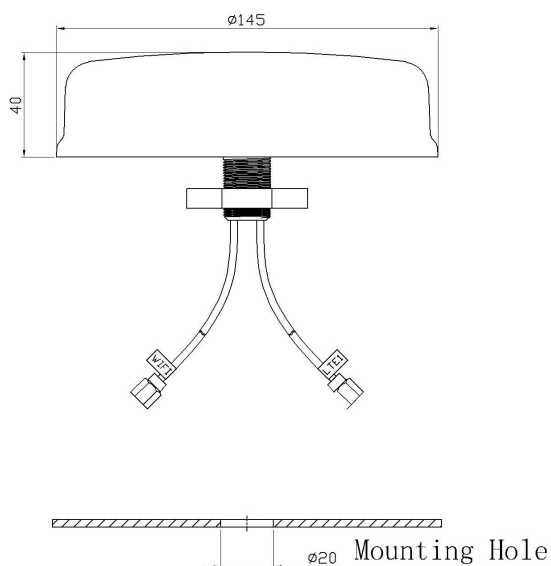
- 2-lead Antenna - 1×LTE 617-7125MHz, 1×WiFi 2400-7125MHz
- High gain, Stable
- Light weight, Small size
- The connector is with a pigtail
- UV stable radome, Strong adaptability of environment

**Electrical specifications**

Type	WiFi		LTE				
	2400-2500	4900-7125	617-698	698-960	1710-2690	3300-4200	4900-7125
Frequency Range (MHz)	2400-2500	4900-7125	617-698	698-960	1710-2690	3300-4200	4900-7125
Peak Gain(dBi) Excluding Cable	4	5	2.5	4	6	6	4.5
VSWR	≤2.0	≤2.0	≤2.2	≤2.0	≤2.0	≤1.8	≤2.0
Maximum Power (W)	20						
Impedance (Ω)	50						

**Mechanical specifications**

Connector	WiFi:RPSMA male / LTE:SMA male
Exposed cable(cm)	305
Dimension-mm	(Φ145×40) ±1.5
Antenna Weight (g)	255
Radome Color	Black
Cable	RG316
Cable Color	White
Application	IP66
Operating Temperature-°C	-40~+85
Operating Humidity-%	5~95

**Product Picture****Installation Sketch**