

**KBT****617-698/698-960/1710-2690/3300-4200/4900-7125MHz
2.5/4/6/6/4.5dBi Omni Antenna**

TQC-0670G6×2G

Application

- 2-lead Antenna - 1×LTE 617-7125MHz, 1×GNSS 1562-1612MHz
- High gain, Stable
- Light weight, Small size
- The connector is with a pigtail
- UV stable radome, Strong adaptability of environment

Electrical specifications

Type	LTE				
Frequency Range (MHz)	617-698	698-960	1710-2690	3300-4200	4900-7125
Peak Gain(dBi) Excluding Cable	2.5	4	6	6	4.5
VSWR	≤2.2	≤2.0	≤2.0	≤1.8	≤2.0
Maximum Power (W)	20				
Impedance (Ω)	50				

GNSS/GPS Antenna Specification

Frequency Range (MHz)	1562-1612
Peak Gain(dBi) Excluding Cable	4.5
Operating Current(mA)	15
Out of band rejection(dB)	≥40
VSWR	≤2.0
Operating Current-mA	15
Impedance (Ω)	50
Gain:LNA (dBi)	≥26
Noise Figure(dB)	≤3
Voltage Supply(V)	3.3-6

Mechanical specifications

Connector	LTE:SMA male / GNSS: SMA male
Exposed cable(cm)	305
Dimension-mm	(Φ145×40) ±1.5
Antenna Weight (g)	260
Radome Color	Black
Cable	RG316
Cable Color	White
Application	IP66
Operating Temperature-°C	-40~+85
Operating Humidity-%	5~95

No.2 ChanxiuRoad, Foshan, Guangdong, China. 528061 Tel: +86-757-82219788 Fax: +86-757-82212072

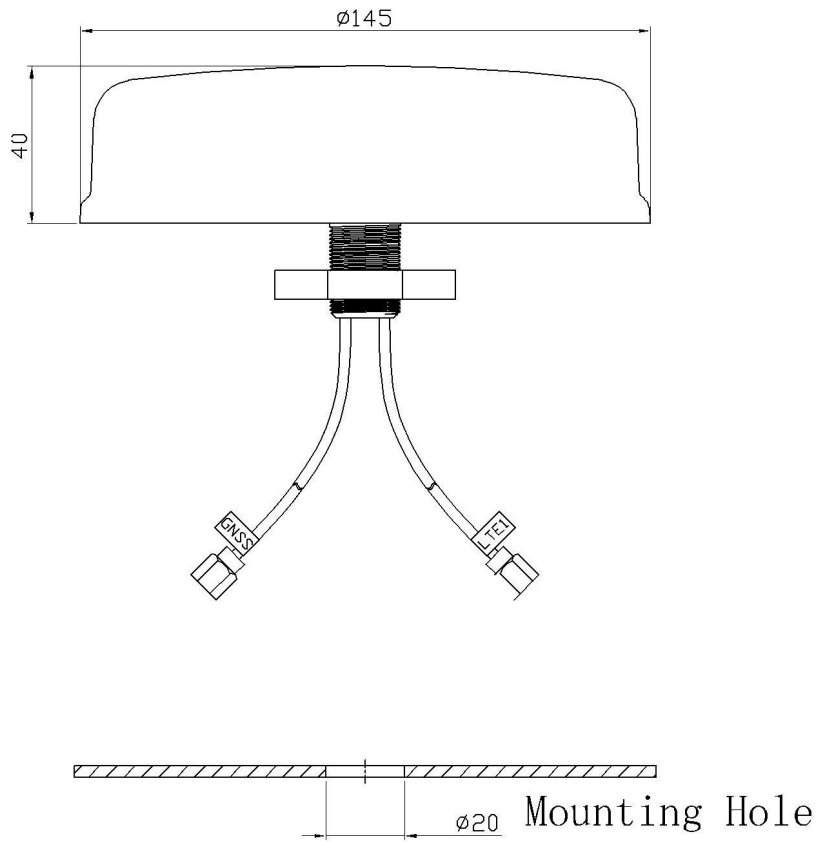
Email: kbt@kenbotong.com Web: http://www.kenbotong.com



KBT

617-698/698-960/1710-2690/3300-4200/4900-7125MHz
2.5/4/6/6/4.5dBi Omni Antenna

Installation Sketch



Product Picture

