

**KBT****617-698/698-960/1710-2690/3300-4200/4900-7125MHz
2.5/4/6/6/4.5dBi Omni Antenna**

TQC-0670G6

Application

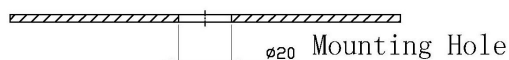
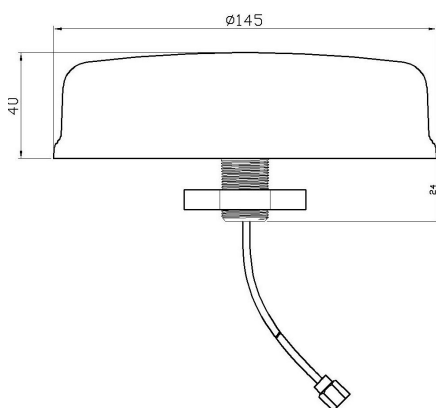
- Operating in 617-698MHz,698-960MHz, 1710-2690MHz,3300-4200MHz and 4900MHz-7125MHz band
- High gain, Stable
- Light weight, Small size
- The connector is with a pigtail
- UV stable radome, Strong adaptability of environment

Electrical specifications

Frequency Range (MHz)	617~698	698~960	1710~2690	3300~4200	4900-7125
Peak Gain (Excluding Cable)	2.5dBi	4dBi	6dBi	6dBi	4.5dBi
VSWR	≤2.2	≤2.0	≤2.0	≤1.8	≤2.0
Impedance (Ω)	50				
Maximum Power (W)	20				

Mechanical specifications

Connector	SMA male or customized				
Exposed cable(cm)	305				
Dimension-mm	(Φ145×40) ±1.5				
Antenna Weight (g)	200				
Radome Color	Black				
Cable	RG316				
Cable Color	White				
Application	IP66				
Operating Temperature-°C	-40~+85				
Operating Humidity-%	5~95				

Installation Sketch**Product Picture**