

TGPS-1500/0822×2C

GPS Combined Antenna

Technical Sheet



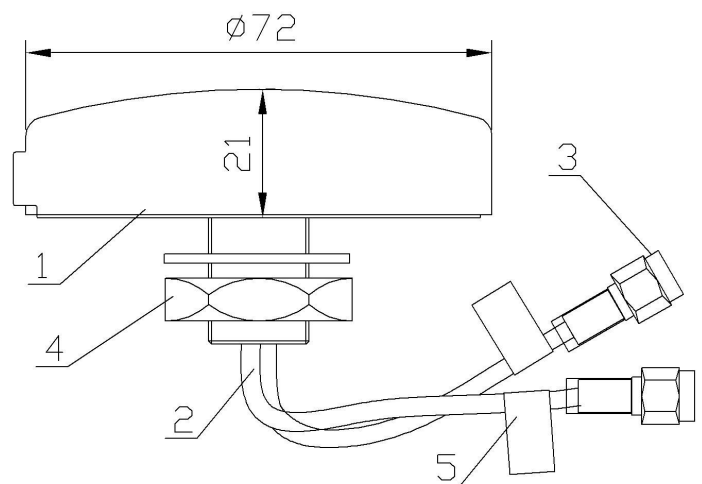
Features

- Operating in 806-960/1710-2170MHz band And GPS band
- High gain, Stable performance
- Light weight, Small size
- Installed with screw, easy to mount
- UV stable antenna radome
- Strong adaptability of environment
- A cable stretching from bottom

Specifications

Model	TGPS-1500/0822×2C	
Freq.Range-MHz	1575.42±2	806-960/1710-2170
VSWR	≤2.5	
Gain	4.5dBic	2dBi
Amplification	≥25dB	/
Noise Figure	<1.5dB	/
Impedance-Ω	50	50
Voltage Supply-V	3-5.5	/
Cable(RG174)-cm	300±10	300±10
Connector	SMA male or customized	
Dimensions(excluding screw)-mm	φ 72×22	
Weight-g	170	
Mounting	Fixed with screw	

Installation Sketch



1. Antenna

2. Cable

3. Connector

4. Fixing nut

5. Mark



Kenbotong Technology Co., Ltd.

Addr : NO.2 Chanxiu Road ,Foshan city,Guangdong China Code:528061
 Tel: 86(757)8202-5597, 8221-9788 Fax : 86(757)8221-2072,8802-2808
 Email: kbt@kenbotong.com web: <http://www.kenbotong.com>